

ADJUSTABLE REVERSE MOUNT SINGLE PEDAL ASSEMBLY

Features:

- Lightweight construction, only 2.75 pounds
- Includes adjustable brake balance bar
- Fully adjustable aluminum pedal pads with waffle style non-slip surface
- High strength forged aluminum ladder style pedal arms
- Pedal assembly features a 6.25:1 ratio
- Easy mounting location with full interchangeability with Wilwood pedals of the same type and style

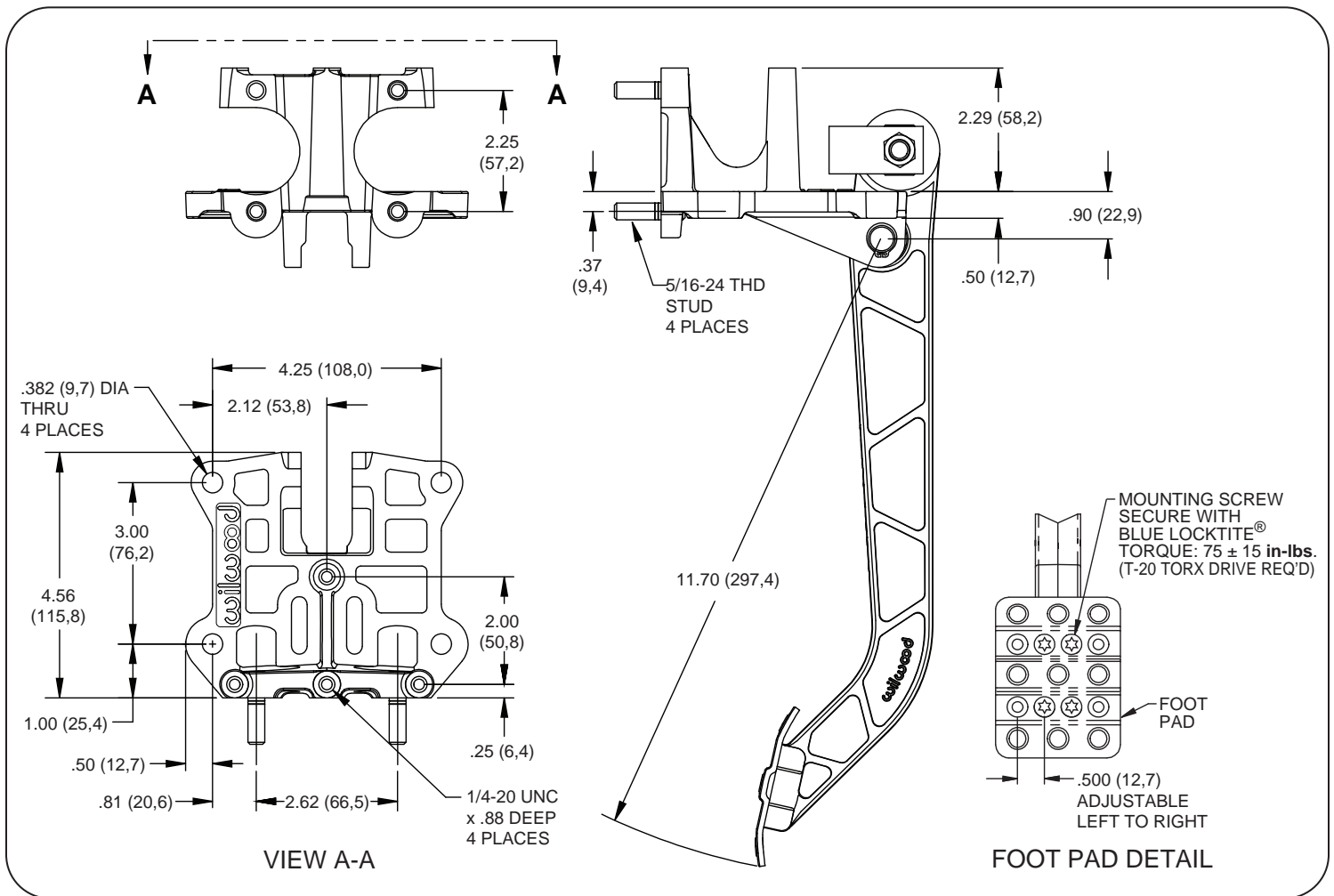
Wilwood's new **Adjustable Reverse Mount Pedal Assembly** mounts two brake master cylinders with a bias balance bar and positions the master cylinders inside the firewall and away from engine heat. It features all aluminum frame and forged aluminum pedal arms with ladder style construction. Pedal pads are of special adjustable design that allows fine-tuning of the pedal location and clearance. Also included with the assembly: mounting studs, hardware, new clevis and pivot pin balance bar assembly to provide smooth and accurate settings of the brake pedal bias. The balance bar can be set and locked down with the jam nut, or attached to a remote cable for quick on-track adjustments. 6.25 to 1 pedal ratio is offered in this unit to suit your mounting and leverage requirements.



Pedal Shown with Optional Master Cylinders
Download a High Resolution Photo,
[click here](#)

ORDERING INFORMATION:

<u>DESCRIPTION</u>	<u>PART NUMBER</u>
Adjustable Reverse Mount Single Pedal Assembly	340-12509



REVERSE MOUNT SINGLE PEDAL ASSEMBLY, MOUNTING CHARACTERISTICS, PART NUMBER 340-12509



Need additional information - fast? Utilizing your Smartphone, scan the image at the left to jump to our web site. This code takes you to our home page and social media sites where information is just a click away, [or click here.](#)