



DODGE SERIES • 2012-PRESENT REAR AEROLITE 4R 14.25" BRAKE KIT

Aerolite 4R Rear Brake kits for the Dodge Challenger and Charger combine cutting edge technology with high-tech styling to deliver track proven endurance and big brake performance for the street, track, or show.

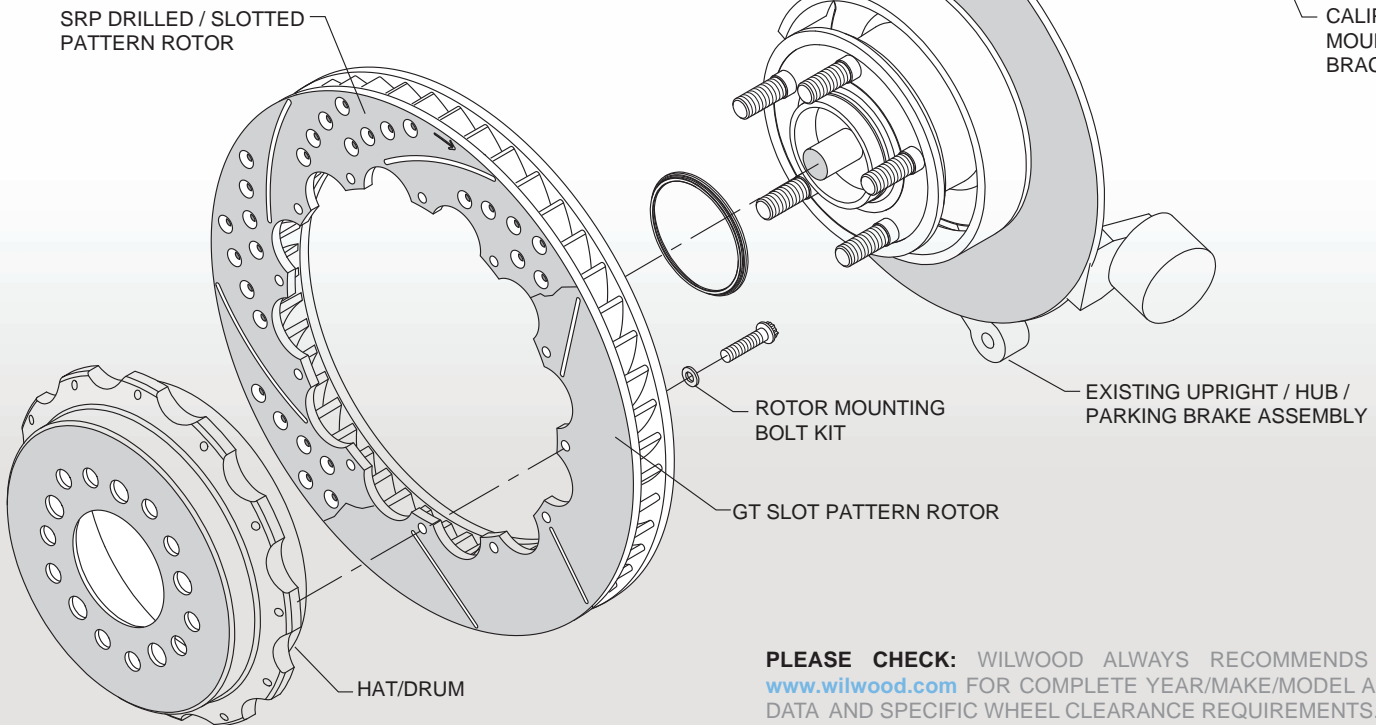
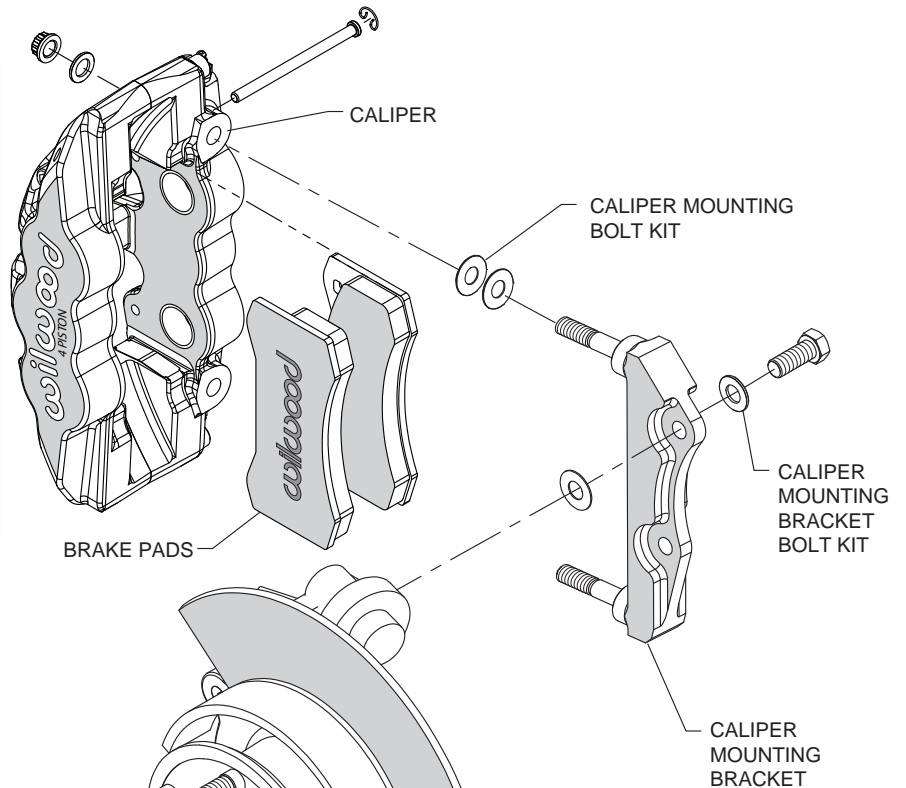
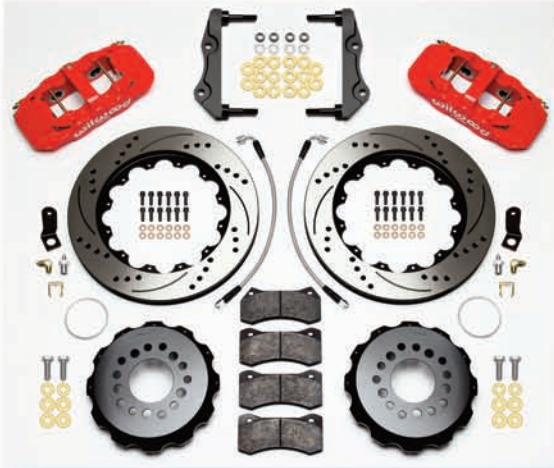


Kit Features



- Aerolite four piston radial mount forged aluminum calipers
- Fits inside most 18" wheels⁽¹⁾
- 14.25" x 1.25" staggered vane **Spec 37** alloy SRP drilled and slotted rotors for street, or GT slotted only for street and track
- BP-10 compound *SmartPads* with optional tuning compounds available
- Choice of gloss black or red powder coat calipers
- DOT approved stainless steel braided flexlines are included
- Fully compatible with OE ABS and master cylinder, and retains full use of factory parking brake
- Options for dedicated race-only pads and Thermlock[®] pistons
- Bolt-on kits complete with detailed installation guide

(1) Wilwood always recommends checking www.wilwood.com for complete year/make/model application data and specific wheel clearance requirements



PLEASE CHECK: WILWOOD ALWAYS RECOMMENDS CHECKING www.wilwood.com FOR COMPLETE YEAR/MAKE/MODEL APPLICATION DATA AND SPECIFIC WHEEL CLEARANCE REQUIREMENTS.

ORDERING INFORMATION:

PART NUMBER	DESCRIPTION	ROTOR TYPE
140-14068	Rear Kit, Dodge Challenger and Charger with Black Aerolite 4R Calipers, 14.25" Spec 37 Rotors	GT
140-14068-D	Rear Kit, Dodge Challenger and Charger with Black Aerolite 4R Calipers, 14.25" Spec 37 Rotors	SRP
140-14068-R	Rear Kit, Dodge Challenger and Charger with Red Aerolite 4R Calipers, 14.25" Spec 37 Rotors	GT
140-14068-DR	Rear Kit, Dodge Challenger and Charger with Red Aerolite 4R Calipers, 14.25" Spec 37 Rotors	SRP