



FORD F-150 TRUCK • 2010-PRESENT TACTICAL XTREME TX6R BIG BRAKE FRONT KITS

Tactical Xtreme TX6R

Big rotor front brake kits deliver high capacity stopping power and long service durability for all types highway, towing, off-road and extreme-duty vehicles.

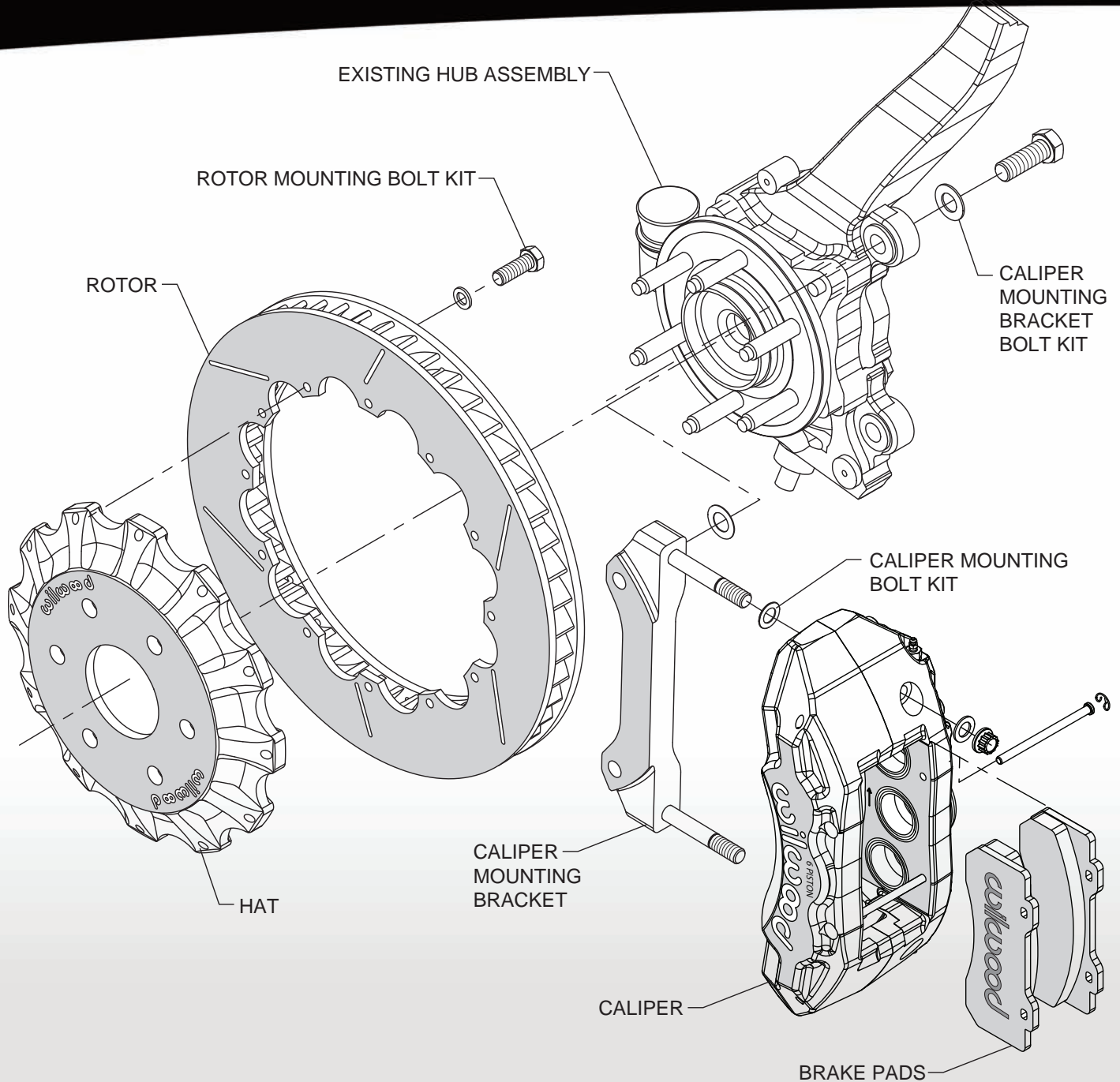


Kit Features



- Forged aluminum calipers with six stainless steel pistons and high-temp internal bore seals
- High response, fade resistant BP-20 compound *SmartPads*
- Choice of red or black powder coat calipers
- Big diameter, 15.50" extreme-duty **Spec37** alloy directional vane hat mounted rotors
- Fully compatibility with the OE master cylinder, ABS and all electronic system controls
- Kits include direct fit mounting brackets with premium grade hardware and a detailed guide to simplify installation

Note: Check www.wilwood.com for complete year/make/model application data and specific wheel clearance requirements



PLEASE CHECK: WILWOOD ALWAYS RECOMMENDS CHECKING www.wilwood.com FOR COMPLETE YEAR/MAKE/MODEL APPLICATION DATA AND SPECIFIC WHEEL CLEARANCE REQUIREMENTS.

ORDERING INFORMATION: Front Brake Kits for 2010-Present Ford F-150 Trucks, 6 Lug Only

PART NUMBER	DESCRIPTION	CALIPER FINISH
140-13865	Kit, Tactical Xtreme TX6R Calipers, 15.5" Spec37 GTB-60 Directional Vane Rotors	Black Powder Coat
140-13865-R	Kit, Tactical Xtreme TX6R Calipers, 15.5" Spec37 GTB-60 Directional Vane Rotors	Red Powder Coat
220-12862	Flexline Kit, Stainless Steel Braided, DOT Compliant, 2010-2014 Models	-
220-15263	Flexline Kit, Stainless Steel Braided, DOT Compliant, 2015-Present Models	-