

- Ultra-strong, lightweight, four piston, five-bridge bolt, billet aluminum body design

- Mil-Spec Type III hard-coat anodized finish to resist bore wear and surface abrasion

- Low heat transfer, corrosion free stainless steel pistons with high-temperature seals

- Internal damping, anti-knock-back piston springs maintain constant tall-pedal height

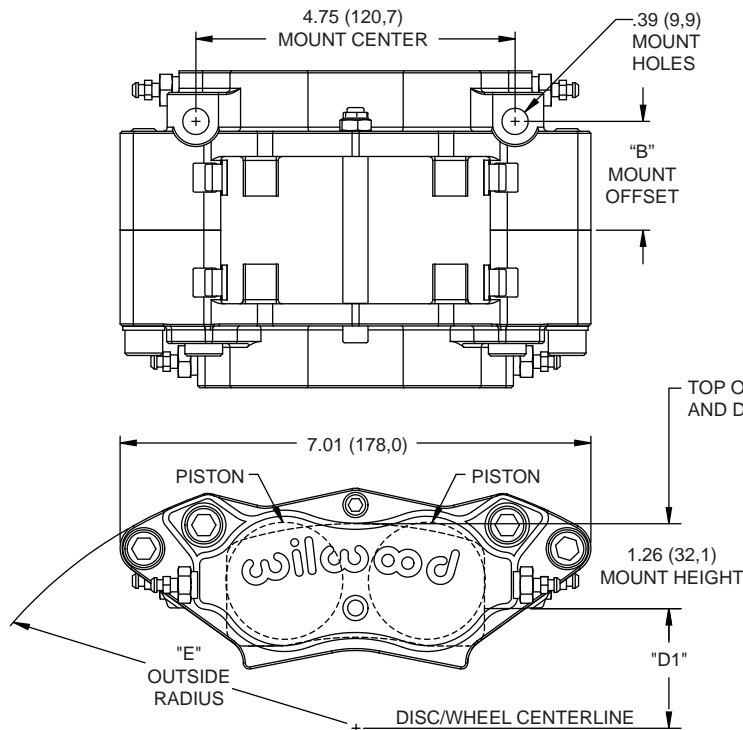
- Symmetrical body design can be mounted either right or left side in leading or trailing positions

- Available for rotors from .38" to 1.00" thickness with diameters from 10.50" to 12.72"

- Uses type 7816 brake pads with 10 compound options to fine tune response, heat range and wear rate for any application

- Mounting bracket kits available for conversions from conventional lug mount calipers on 3.50" mount applications



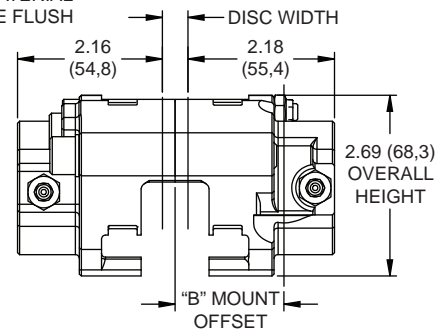


"B"	
DISC WIDTH	MOUNT OFFSET
.38 (9,6)	1.40 (35,6)
.81 (20,6)	1.62 (41,1)
1.00 (25,4)	1.72 (43,7)

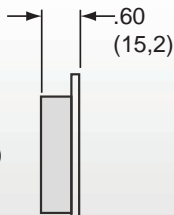
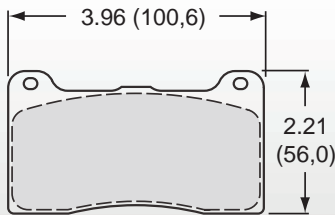
DISC	
DIAMETER	"E" OUTSIDE RADIUS
10.50 (266,7)	6.20 (157,5)
11.75 (298,5)	6.73 (170,9)
12.19 (309,5)	6.93 (176,0)
12.72 (323,1)	7.18 (182,4)

DIMENSION "D1" = (DISC DIAMETER/2) - 1.26 (32,1)
 INLET FITTING: 1/8-27 NPT
 RADIAL MOUNT BRACKETS ARE AVAILABLE

TOP OF FRICTION MATERIAL
 AND DISC O.D. TO BE FLUSH



Billet Narrow Dynalite Radial Caliper, Dimensional Characteristics



AXLE SET P/N	PAD TYPE / COMPOUND	AXLE SET P/N	PAD TYPE / COMPOUND
15A - 7263K	7816 A PolyMatrix	150 - 8946K	7816 10 BP-10 Smart Pad
15B - 7264K	7816 B PolyMatrix	150 - 9419K	7816 20 BP-20 Smart Pad
15E - 7266K	7816 E PolyMatrix	150 - 14776K	7816 30 BP-30 Smart Pad
15H - 10645K	7816 H PolyMatrix	150 - 12248K	7816 40 BP-40 Smart Pad
15Q - 7268K	7816 Q PolyMatrix	150 - 14346K	7816 CM For Titanium Rotor

Billet Narrow Dynalite Radial Caliper, Type 7816 Brake Pad Dimensions and Ordering Information

ORDERING INFORMATION: Wilwood Billet Narrow Dynalite Radial Calipers

PART NUMBER	DESCRIPTION	CALIPER FINISH
120-15568-SI	NDLR Caliper, 1.88 / 1.88 Pistons for 1.00 Thick Rotor	Hard Anodize
120-14765-SI	NDLR Caliper, 1.88 / 1.88 Pistons for .81 Thick Rotor	Hard Anodize
120-14764-SI	NDLR Caliper, 1.88 / 1.88 Pistons for .38 Thick Rotor	Hard Anodize
120-15567-SI	NDLR Caliper, 1.75 / 1.75 Pistons for 1.00 Thick Rotor	Hard Anodize
120-13406-SI	NDLR Caliper, 1.75 / 1.75 Pistons for .81 Thick Rotor	Hard Anodize
120-13405-SI	NDLR Caliper, 1.75 / 1.75 Pistons for .38 Thick Rotor	Hard Anodize
120-15566-SI	NDLR Caliper, 1.62 / 1.62 Pistons for 1.00 Thick Rotor	Hard Anodize
120-15565-SI	NDLR Caliper, 1.62 / 1.62 Pistons for .81 Thick Rotor	Hard Anodize
120-15564-SI	NDLR Caliper, 1.38 / 1.38 Pistons for 1.00 Thick Rotor	Hard Anodize
120-15563-SI	NDLR Caliper, 1.38 / 1.38 Pistons for .81 Thick Rotor	Hard Anodize
250-14767	Caliper Mounting Bracket Kit, 3.50" Bolt Centers, 11.75 - 12.19" Diameter Rotors	N/A