

wilwood

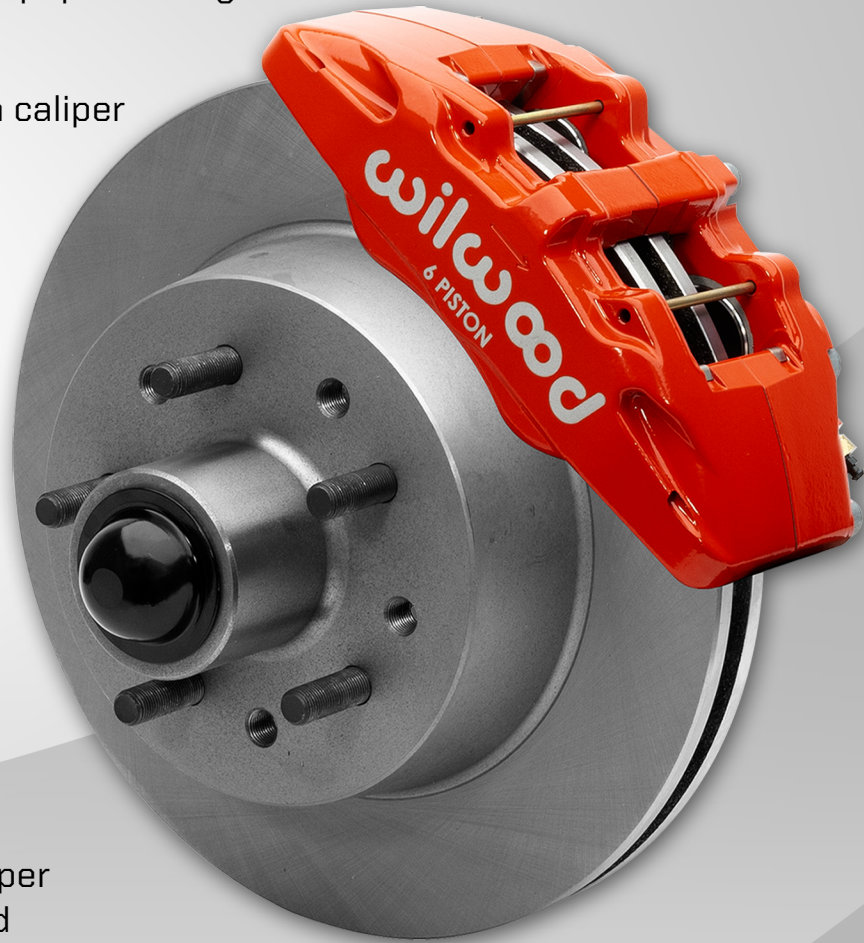
DISC BRAKES

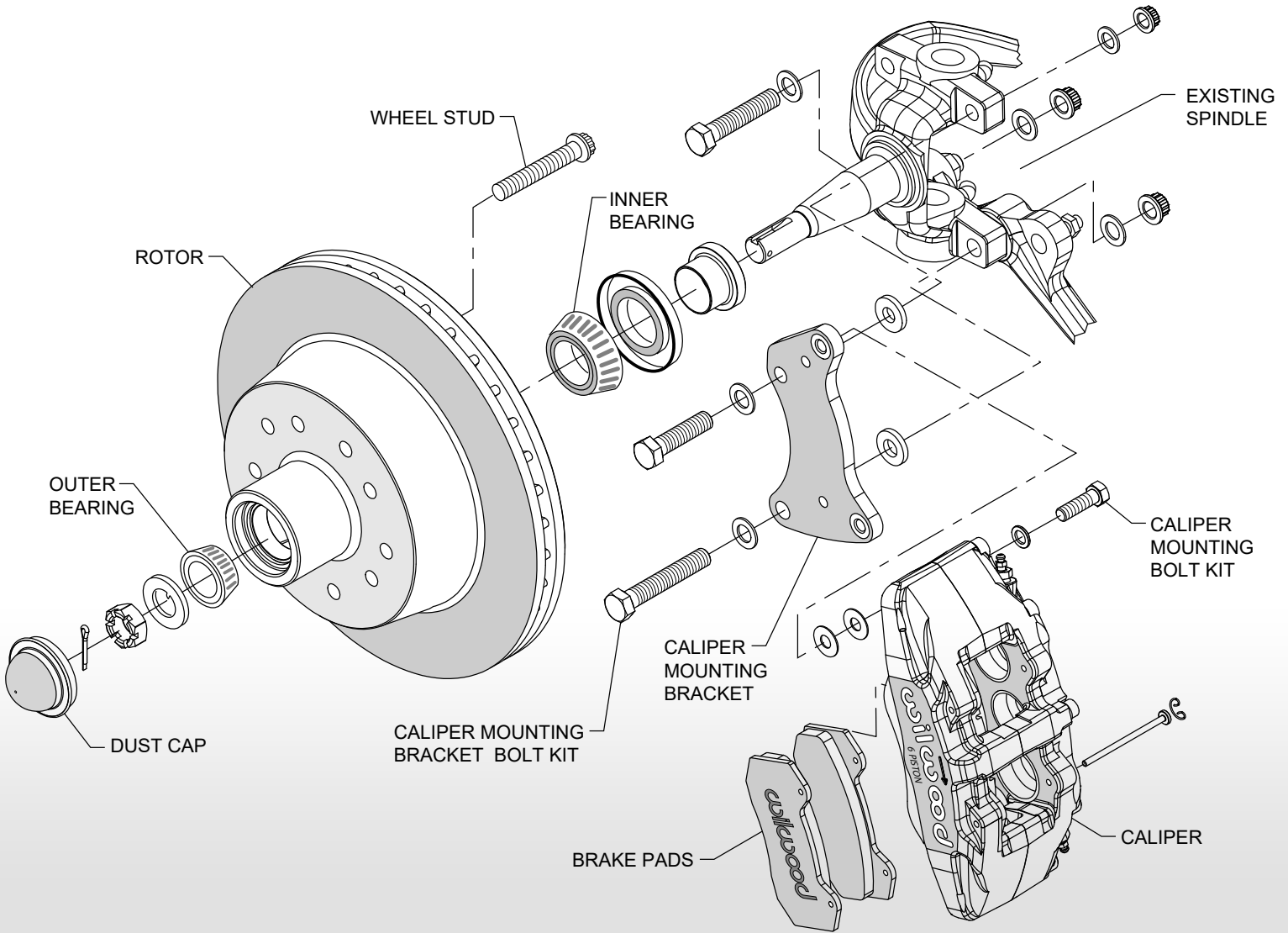
CHEVY 1/2 TON TRUCK

1951 - 1959

DYNAPRO 6A CLASSIC SERIES FRONT BRAKES

- One-piece rotor and hub assembly upgrade using OEM drum spindles. Designed specifically for popular 5-lug bolt patterns (5x4.75" or 5x5.00")
- Forged aluminum Dynapro 6A six piston caliper body with high-temp seals
- Calipers readily available in red or black powder coat, or choose from 22 additional color options to suit your style
- 11.86" diameter, 36-vane rotor and hub, manufactured with proprietary blend ferrous alloy, provides strength, dependability and less weight than other designs
- High-performance street compound *SmartPads* included for fast response, longer wear, and less dust
- Mounting kit comes complete with caliper brackets, seals, bearings, DOT approved 14" stainless steel flexlines, hardware, and detailed assembly instructions





ORDERING INFORMATION: Chevy 1/2 Ton Truck Front Brake Kit

PART NUMBER	DESCRIPTION	CALIPER FINISH
140-14974	DynaPro 6A Calipers, 11.86" Ultralite HP Rotors	Black Powder Coat
140-14974-R	DynaPro 6A Calipers, 11.86" Ultralite HP Rotors	Red Powder Coat