

### Aero6-DM “Direct-Mount” Brake Kits

- ✓ 2010-18 **Ford F-150**
- ✓ 2010-14 **SVT Raptor**
- ✓ 2017-22 **Raptor**

Wilwood’s new **Aero6-DM** directly-mounted caliper brake kits are designed to fit most factory and aftermarket 17” wheels for 2010-2018 Ford F-150 (and related SUVs), 2WD or 4WD, and 1st, 2nd, and 3rd generation Raptor trucks from 2010-2022. Replace the factory floating calipers with Wilwood’s net-forged aluminum, six piston calipers and premium iron alloy one-piece rotors to improve performance and pedal feel in your 17” wheels.

Designed and engineered to fit most 17” and larger wheels providing better thermal capability for numerous types of driving, including towing, commercial and off-road use.

#### KIT FEATURES:

- Directly mounts to factory spindles and hubs with no modifications or additional brackets
- Provides greater brake torque and increased thermal stability, yet fits behind most 17” wheels and larger

#### CALIPERS: AERO6-DM

- Stress-flow forged aluminum Aerolite calipers are engineered for direct-mounting with six differential bore pistons for more even clamping force, and closed bridge for minimal deflection
- Compatible with the factory master cylinder, ABS and all electronic controls
- Calipers available in gloss black or red powder coat, or 22 additional color options (additional charges may apply)

#### ROTORS: GT or SRP

- 13.38” x 1.25” premium-grade, long-grain carbon iron alloy vented rotors
- Choose GT slotted or SRP drilled and slotted rotors

#### PADS: BP Series “Q” Compound SmartPad®

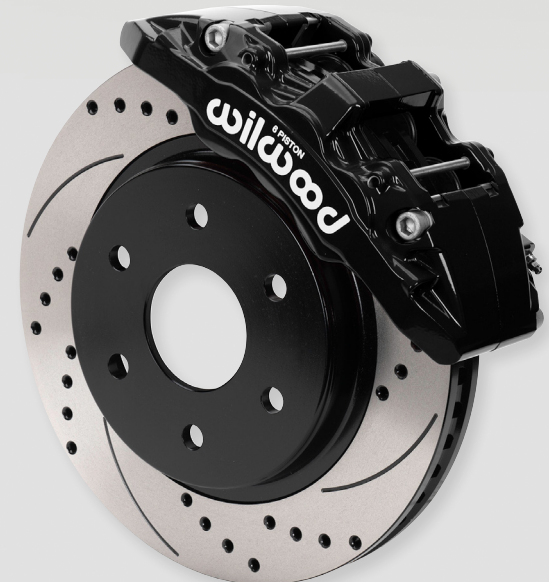
- New “Q” ceramic-based, dual-sport SmartPad for everyday street or performance driving (additional compounds available)

#### INSTALLATION PARTS:

- Stainless steel flexlines and premium-grade hardware included



**Aero6-DM Six Piston Brake Kit  
13.38” GT Slotted Rotor**



**Aero6-DM Six Piston Brake Kit  
13.38” SRP Drilled & Slotted Rotor**

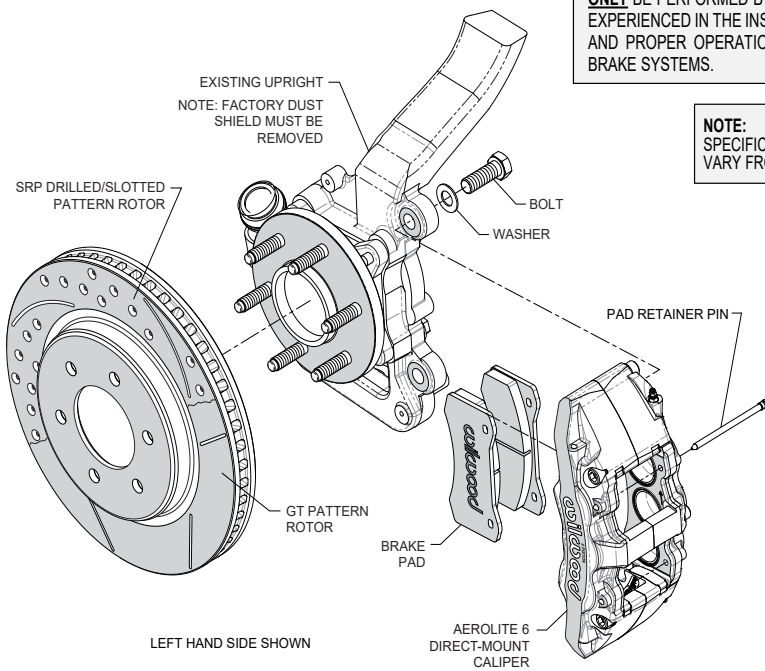
### Aero6-DM "Direct-Mount" Brake Kits

2010-18 **Ford F-150**, 2010-14 **SVT Raptor**, 2017-22 **Raptor**

#### TYPICAL INSTALLATION CONFIGURATION

**WARNING**  
INSTALLATION OF THIS KIT SHOULD **ONLY** BE PERFORMED BY PERSONS EXPERIENCED IN THE INSTALLATION AND PROPER OPERATION OF DISC BRAKE SYSTEMS.

**NOTE:**  
SPECIFIC PARTS MAY VARY FROM DIAGRAM



**GT Slotted Rotors**



**SRP Drilled & Slotted Rotors**



**Flexline Kit Specific to Y/M/M**

ORDERING INFO: PH: 805.388.1188 • FAX: 805.388.4938 • [wilwood.com](http://wilwood.com) • [info@wilwood.com](mailto:info@wilwood.com)

BLACK	RED	DESCRIPTION	CALIPER TYPE	ROTOR TYPE	ROTOR SIZE
<a href="#">140-16806</a>	<a href="#">140-16806-R</a>	Kit, Front Aero6-DM, Ford F-150, 2010-18	Aerolite 6 Piston Direct-Mount	GT Slotted	13.38" x 1.25"
<a href="#">140-16806-D</a>	<a href="#">140-16806-DR</a>	Kit, Front Aero6-DM, Ford F-150, 2010-18	Aerolite 6 Piston Direct-Mount	SRP Drilled & Slotted	13.38" x 1.25"
<a href="#">140-16807</a>	<a href="#">140-16807-R</a>	Kit, Front Aero6-DM, Ford F-150 Raptor, 2010-14	Aerolite 6 Piston Direct-Mount	GT Slotted	13.38" x 1.25"
<a href="#">140-16807-D</a>	<a href="#">140-16807-DR</a>	Kit, Front Aero6-DM, Ford F-150 Raptor, 2010-14	Aerolite 6 Piston Direct-Mount	SRP Drilled & Slotted	13.38" x 1.25"
<a href="#">140-16808</a>	<a href="#">140-16808-R</a>	Kit, Front Aero6-DM, Ford F-150 Raptor, 2017-20	Aerolite 6 Piston Direct-Mount	GT Slotted	13.38" x 1.25"
<a href="#">140-16808-D</a>	<a href="#">140-16808-DR</a>	Kit, Front Aero6-DM, Ford F-150 Raptor, 2017-20	Aerolite 6 Piston Direct-Mount	SRP Drilled & Slotted	13.38" x 1.25"
<a href="#">140-17000</a>	<a href="#">140-17000-R</a>	Kit, Front Aero6-DM, Ford F-150 Raptor, 2021-22	Aerolite 6 Piston Direct-Mount	GT Slotted	13.38" x 1.25"
<a href="#">140-17000-D</a>	<a href="#">140-17000-DR</a>	Kit, Front Aero6-DM, Ford F-150 Raptor, 2021-22	Aerolite 6 Piston Direct-Mount	SRP Drilled & Slotted	13.38" x 1.25"