

### Aero6-DM “Direct-Mount” Brake Kits

#### ✓ 2022 Toyota Tundra

Wilwood’s **Aero6-DM** direct-mounted caliper brake kits are designed to fit 2022 Toyota Tundra trucks with 17” or larger wheels. Upgrade your fixed-mount, cast-iron four piston calipers and stock rotors to Wilwood’s direct-mount, forged aluminum six piston calipers and premium iron alloy rotors to improve performance and pedal feel.

Designed and engineered to fit most factory and aftermarket 17” and larger wheels, providing better thermal capability for high-demand driving, including towing, commercial and off-road use.

#### KIT FEATURES:

- Directly mounts to factory spindles and hubs without the need for additional brackets
- Provides greater brake torque and increased thermal stability, yet fits behind most 17” and larger wheels

#### CALIPERS: AERO6-DM

- Stress-flow forged aluminum Aerolite calipers are engineered for direct-mounting with six differential bore pistons for more even clamping force, and closed bridge for minimal deflection
- Compatible with the factory master cylinder, ABS and all electronic controls
- Calipers available in gloss black or red powder coat, or 22 additional color options (additional charges apply)

#### ROTORS: GT or SRP

- 13.56” x 1.30” premium-grade, long-grain carbon iron alloy 48 vane vented rotors
- Choose GT slotted, or SRP drilled and slotted e-coated rotors

#### BRAKE PADS: SmartPad® BP-Q

- New “Q” ceramic-based, dual-sport SmartPad for everyday street or performance driving (additional compounds available)

#### INSTALLATION PARTS:

- Stainless steel Flexlines and premium-grade hardware included



**Aero6-DM Six Piston Brake Kit  
13.56” SRP Drilled & Slotted Rotor**



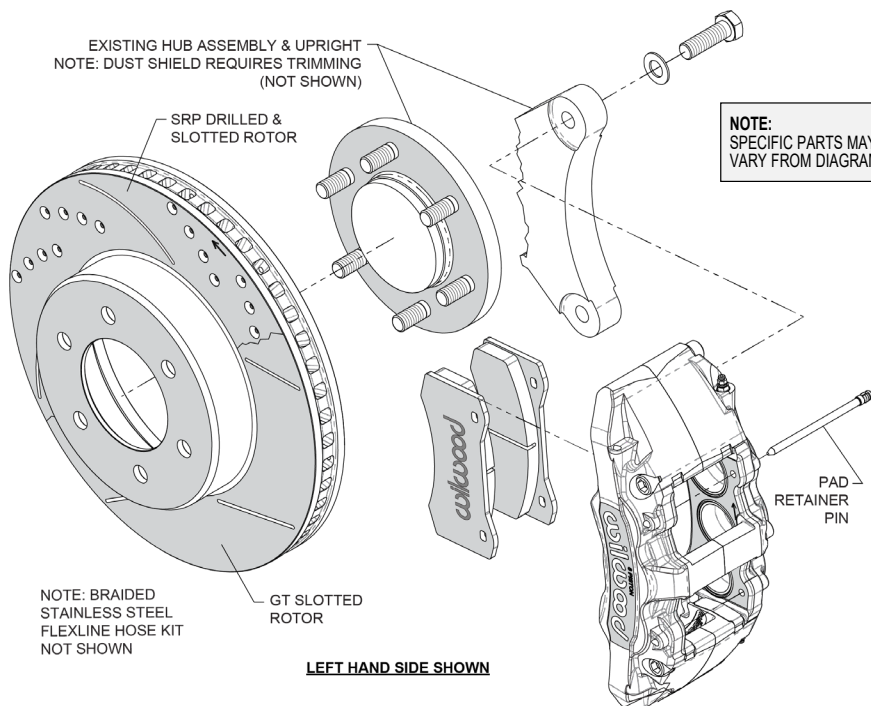
**Aero6-DM Six Piston Brake Kit  
13.56” GT Slotted Rotor**

### Aero6-DM "Direct-Mount" Brake Kits

✓ 2022 Toyota Tundra

#### TYPICAL INSTALLATION CONFIGURATION

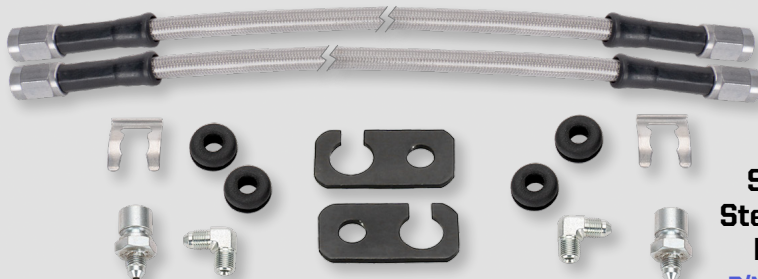
**WARNING**  
INSTALLATION OF THIS KIT SHOULD **ONLY** BE PERFORMED BY PERSONS EXPERIENCED IN THE INSTALLATION AND PROPER OPERATION OF DISC BRAKE SYSTEMS.



GT Slotted Rotors



SRP Drilled & Slotted Rotors



Stainless Steel Flexline Hose Kit

[P/N 220-17529](#)

ORDERING INFO: PH: 805.388.1188 • FAX: 805.388.4938 • [wilwood.com](http://wilwood.com) • [info@wilwood.com](mailto:info@wilwood.com)

BLACK	RED	DESCRIPTION	CALIPER TYPE	ROTOR TYPE	ROTOR SIZE
<a href="#">140-17528</a>	<a href="#">140-17528-R</a>	Kit, Front Aero6-DM, Toyota Tundra & LC300, 2022	Aerolite 6 Piston Direct-Mount	GT Slotted	13.56" x 1.30"
<a href="#">140-17528-D</a>	<a href="#">140-17528-DR</a>	Kit, Front Aero6-DM, Toyota Tundra & LC300, 2022	Aerolite 6 Piston Direct-Mount	SRP Drilled & Slotted	13.56" x 1.30"