

Caliper Highlights:

The Dynalite series has widespread applications for street and custom cars. Forged Billet Calipers are the latest evolution from Wilwood, providing substantial improvements in strength and performance over all comparable caliper models.

The stress-flow forging process re-aligns the metal's grain structure within the contour of the caliper body. This process eliminates the breaks and interruptions to the internal grain structure that occur when machining a straight block billet. The finite element analysis generated radial transition design eliminates steps and shoulders in the area between the piston housing body and the caliper bridges. Incorporating a radius in this transition area substantially increases resistance to deflection and caliper separation under load. Without even considering the greater strength and reliability of the forging, the reduced deflection and the resulting decrease in fluid volume displacement translate to increased clamping efficiency with less pedal travel. The bottom line is a taller pedal and better stopping power.

The superior strength of the **Forged Billet Dynalite Caliper** is combined with proven performance features from Wilwood's earlier designs. Each caliper is equipped with Wilwood's SRS stainless steel bridge plates. The SRS plates eliminate the bridge wear caused by pad gouging and extend the caliper body's service life. The SRS plates' spring-loading action also eliminates pad rattle and dampens the vibration harmonics that contribute to squeal under braking. Other standard Wilwood features include high-temperature seals and stainless steel pistons to eliminate corrosion and retard heat transfer from the pads. Internal fluid passages eliminate the need for external tubes. Four corner bleed screws assure simple and effective air evacuation from the system and allow one caliper to be mounted in any front, rear, right or left position. Standard calipers feature Wilwood's



Anodized



Polished

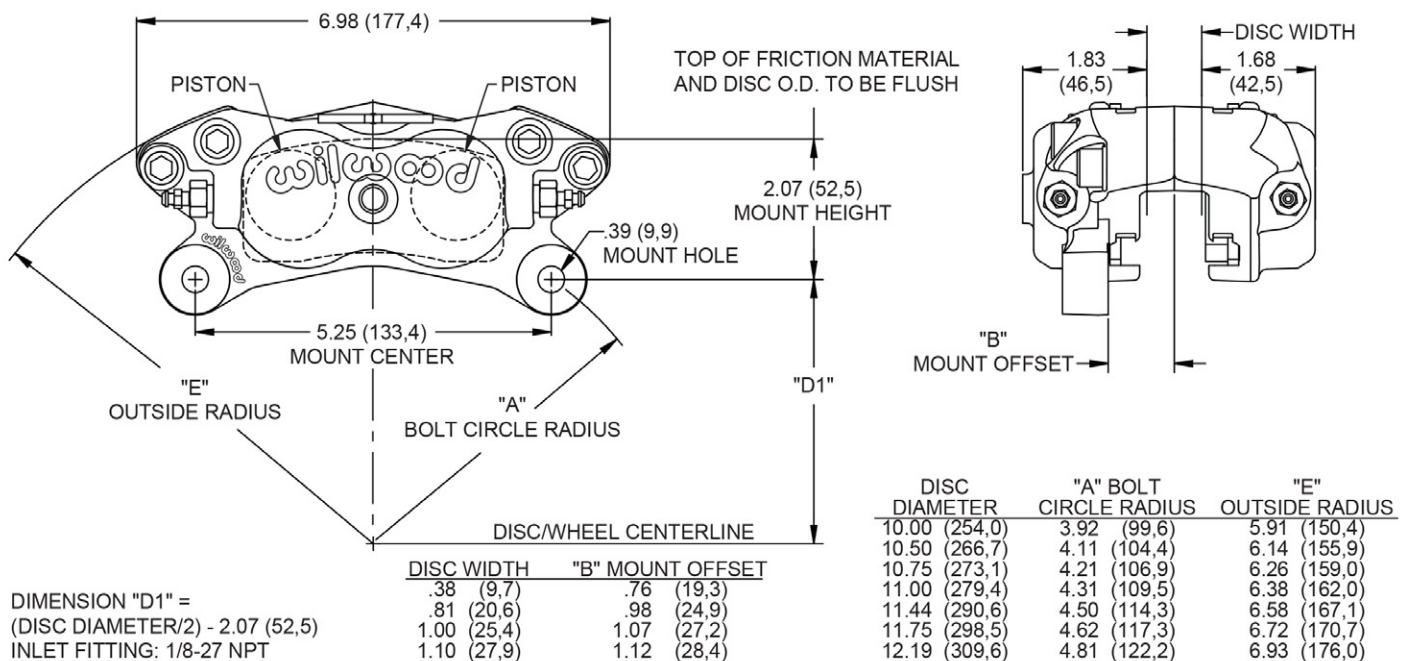
signature hard-anodized finish to resist corrosion and maintain their high tech style. Polished calipers (shown above) are also available for custom show car applications.

Forged Billet Dynalite Calipers are a direct replacement for all Wilwood Dynalite and similar competitive brand calipers with 5.25" centered mounting tabs. The **Forged Billet Dynalite** uses the same 7112 type brake pad used in all earlier versions of this caliper. The full range of **PolyMatrix** and **SmartPad** pad compounds are available to match brake response and heat range to any application.

ORDERING INFORMATION:

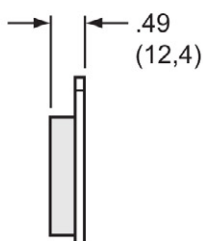
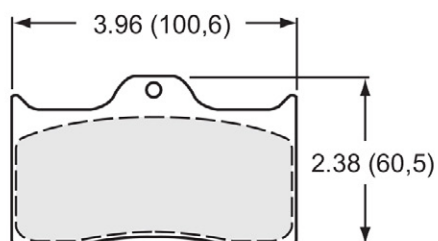
PH: 805.388.1188 • FAX: 805.388.4938 • wilwood.com • info@wilwood.com

BORE SIZE	DISC WIDTH	ANO PART NUMBER	POLISHED PART NUMBER
1.75" - 44,5mm	1.25" - 31,8mm	120-6814	-
1.75" - 44,5mm	1.00" - 24,5mm	120-6815	-
1.75" - 44,5mm	0.81" - 20,6mm	120-6816	-
1.75" - 44,5mm	0.50" - 12,7mm	120-6817	-
1.75" - 44,5mm	0.38" - 9,7mm	120-6818	-
1.62" - 41,1mm	1.25" - 31,8mm	120-6809	120-6794-P
1.62" - 41,1mm	1.00" - 25,4mm	120-6810	120-6795-P
1.62" - 41,1mm	0.81" - 20,6mm	120-6811	120-6796-P
1.62" - 41,1mm	0.50" - 12,7mm	120-6812	120-6797-P
1.62" - 41,1mm	0.38" - 9,7mm	120-6813	120-6798-P
1.38" - 35,1mm	1.25" - 31,8mm	120-6804	120-6789-P
1.38" - 35,1mm	1.00" - 25,4mm	120-6805	120-6790-P
1.38" - 35,1mm	0.81" - 20,6mm	120-6806	120-6791-P
1.38" - 35,1mm	0.50" - 12,7mm	120-6807	120-6792-P
1.38" - 35,1mm	0.38" - 9,7mm	120-6808	120-6793-P



FDLi Caliper, Dimensional Characteristics

DYNALITE CALIPER, TYPE 7112 PAD DIMENSIONS AND ORDERING INFORMATION:



AXLE SET PART NO.	PAD TYPE/COMPOUND
15A - 5734K	7112 A PolyMatrix
15B - 3991K	7112 B PolyMatrix
15E - 6096K	7112 E PolyMatrix
15H - 8291K	7112 H PolyMatrix
15Q - 6824K	7112 Q PolyMatrix
150 - 8850K	7112 10 BP-10 SmartPad
150 - 9413K	7112 20 BP-20 SmartPad
150 - 14771K	7112 30 BP-30 SmartPad
150 - 12243K	7112 40 BP-40 SmartPad

ORDERING INFORMATION: PH: 805.388.1188 • FAX: 805.388.4938 • wilwood.com • info@wilwood.com

CALIPER PART NUMBER	PISTON	SQ RING KIT (4PK)	BLEED SCREW KIT	BODY SEAL (EA)	BRIDGE WEAR PLATE (EA)	COTTER
120-6789-P	200-7518 (1.38")	130-2658	220-0627	210-2582	300-5875	180-0056
120-6790-P	200-7518 (1.38")	130-2658	220-0627	210-2582	300-5875	180-0056
120-6791-P	200-7518 (1.38")	130-2658	220-0627	210-2582	300-5875	180-0055
120-6792-P	200-7518 (1.38")	130-2658	220-0627	210-2582	300-5875	180-0055
120-6793-P	200-7518 (1.38")	130-2658	220-0627	210-2582	300-5875	180-0054
120-6794-P	200-7520 (1.62")	130-4346	220-0627	210-2582	300-5875	180-0056
120-6795-P	200-7520 (1.62")	130-4346	220-0627	210-2582	300-5875	180-0056
120-6796-P	200-7520 (1.62")	130-4346	220-0627	210-2582	300-5875	180-0055
120-6797-P	200-7520 (1.62")	130-4346	220-0627	210-2582	300-5875	180-0055
120-6798-P	200-7520 (1.62")	130-4346	220-0627	210-2582	300-5875	180-0054
120-6804	200-7518 (1.38")	130-2658	220-0627	210-2582	300-5875	180-0056
120-6805	200-7518 (1.38")	130-2658	220-0627	210-2582	300-5875	180-0056
120-6806	200-7518 (1.38")	130-2658	220-0627	210-2582	300-5875	180-0055
120-6807	200-7518 (1.38")	130-2658	220-0627	210-2582	300-5875	180-0055
120-6808	200-7518 (1.38")	130-2658	220-0627	210-2582	300-5875	180-0054
120-6809	200-7520 (1.62")	130-4346	220-0627	210-2582	300-5875	180-0056
120-6810	200-7520 (1.62")	130-4346	220-0627	210-2582	300-5875	180-0056
120-6811	200-7520 (1.62")	130-4346	220-0627	210-2582	300-5875	180-0055
120-6812	200-7520 (1.62")	130-4346	220-0627	210-2582	300-5875	180-0055
120-6813	200-7520 (1.62")	130-4346	220-0627	210-2582	300-5875	180-0054
120-6814	200-7528 (1.75")	130-2655	220-0627	210-2582	300-5875	180-0056
120-6815	200-7528 (1.75")	130-2655	220-0627	210-2582	300-5875	180-0056
120-6816	200-7528 (1.75")	130-2655	220-0627	210-2582	300-5875	180-0055
120-6817	200-7528 (1.75")	130-2655	220-0627	210-2582	300-5875	180-0055
120-6818	200-7528 (1.75")	130-2655	220-0627	210-2582	300-5875	180-0054