

MC4 MECHANICAL PARKING BRAKE CALIPERS



NEW SIZES AVAILABLE

Wilwood's MC4 Mechanical Parking Brake Caliper is a stand-alone, multi-use, cable-operated brake caliper that combines high static-hold performance with simple, durable construction. It is the perfect mechanically-actuated parking brake solution for cars, trucks, and now powersports or similar applications with disc brakes.

Each caliper is fitted with a cable return spring, and the mechanical lever accepts a .310" diameter barrel-ended parking brake cable. The convenient manual adjuster requires no special tools, allowing easy incremental changes to compensate for pad and rotor wear.

CALIPER FEATURES

- Strong yet lightweight (about 3 pounds) die-cast and forged aluminum calipers with a steel mounting bracket
- Available with mounting plates in 2.00" offset holes or 4.75" centered holes in line with caliper body
- Left and right-handed cable pulls available, each clockable in three locations for optimum positioning and ease of cable routing
- New powersports calipers in rotor widths for 0.25" and 0.39" discs are finished with durable Type-III hard anodized coating
- Wider rotor width calipers for 0.81" and 1.10" discs are available in gloss red or black powder coat finish, with the 1.10" also in a durable Type-III hard anodized finish
- High static-hold Sintered Metallic SM compound brake pads



Left-Hand Pull, 4.75" Mount Holes
Type-III Hard Anodized Finish



Right-Hand Pull, 2.00" Offset Mount Holes
Gloss Red Powder Coat Finish

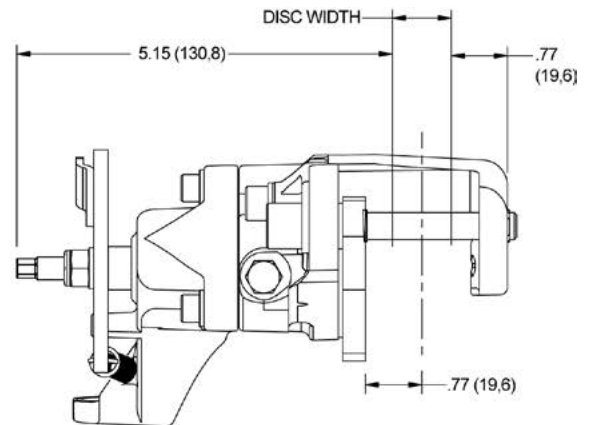
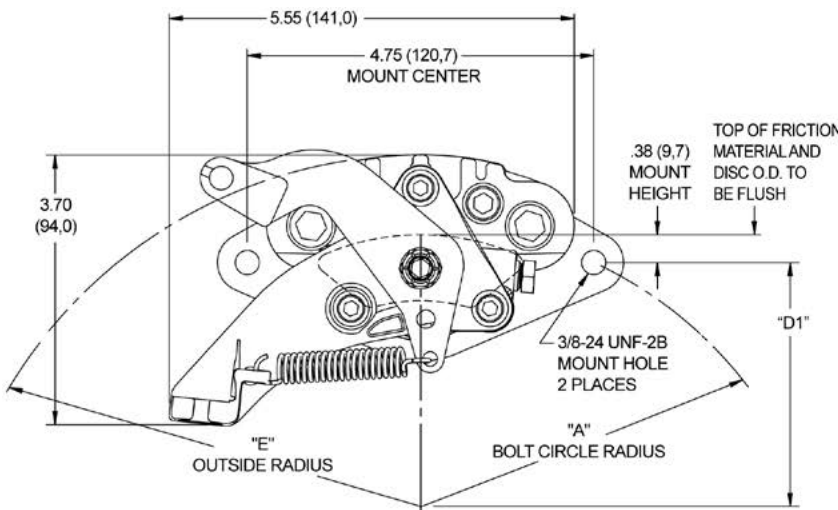


Right-Hand Pull, 4.75" Mount Holes
Gloss Black Powder Coat Finish

MC4 MECHANICAL PARKING BRAKE CALIPERS



MC4 Mechanical Parking Brake Caliper Physical Characteristics



DIMENSION "D1" - (DISC DIAMETER/2 - .38 (9,7))
NOTE: RIGHT HAND CALIPER SHOWN

P/N 120-12069 SHOWN

(click P/Ns below for dimensions)

DISC DIAMETER	"A" BOLT CIRCLE RADIUS	"E" OUTSIDE RADIUS	DISC WIDTH
11.00 (279,4)	5.64 (143,3)	6.59 (167,4)	.81 (20,6)
11.75 (298,5)	5.98 (152,0)	6.96 (176,9)	.81 (20,6)
12.00 (304,8)	6.09 (154,7)	7.09 (180,1)	.81 (20,6)
12.19 (309,6)	6.19 (157,2)	7.19 (182,6)	.81 (20,6)
12.88 (327,2)	6.51 (165,4)	7.53 (191,3)	.81 (20,6)

ORDERING INFO: PH: 805.388.1188 • FAX: 805.388.4938 • wilwood.com • info@wilwood.com

RIGHT HAND	LEFT HAND	DESCRIPTION	MOUNT CTR	DISC WIDTH	FINISH
120-17264	120-17265	MC4 Mechanical Parking Brake Caliper	4.75" bracket	0.25"	Type-III Hard Anodized
120-17271	120-17272	MC4 Mechanical Parking Brake Caliper	4.75" bracket	0.39"	Type-III Hard Anodized
120-15353-BK	120-15354-BK	MC4 Mechanical Parking Brake Caliper	2.00" bracket	0.81"	Black Powder Coat
120-15353-RD	120-15354-RD	MC4 Mechanical Parking Brake Caliper	2.00" bracket	0.81"	Red Powder Coat
120-12069	120-12070	MC4 Mechanical Parking Brake Caliper	4.75" bracket	0.81"	Silver Powder Coat
120-12069-BK	120-12070-BK	MC4 Mechanical Parking Brake Caliper	4.75" bracket	0.81"	Black Powder Coat
120-12069-RD	120-12070-RD	MC4 Mechanical Parking Brake Caliper	4.75" bracket	0.81"	Red Powder Coat
120-17143	120-17144	MC4 Mechanical Parking Brake Caliper	2.00" bracket	1.10"	Type-III Hard Anodized
120-17143-BK	120-17144-BK	MC4 Mechanical Parking Brake Caliper	2.00" bracket	1.10"	Black Powder Coat
120-17143-RD	120-17144-RD	MC4 Mechanical Parking Brake Caliper	2.00" bracket	1.10"	Red Powder Coat
120-15484-BK	120-15485-BK	MC4 Mechanical Parking Brake Caliper	4.75" bracket	1.10"	Black Powder Coat
120-15484-RD	120-15485-RD	MC4 Mechanical Parking Brake Caliper	4.75" bracket	1.10"	Red Powder Coat