

## AEROLITE 4R/6R RADIAL MOUNT CALIPERS

### Caliper Highlights:

The new Aerolite 4 and 6 piston radial mount calipers from Wilwood deliver state of the art forged caliper technology, with performance options covering all types of custom and competition braking requirements for road and track. Aerolite calipers are available with several options for piston sizes covering all types of applications from OE booster and master cylinder equipped cars with ABS, to purpose built custom and race vehicles with manual twin or tandem master cylinders.



Aerolite 6R Caliper Shown in Red  
([download high-res photo](#)) \*\*

- Forged billet triple bridge reinforced body
- Stainless steel pistons with high temperature seals
- Protected single bleed design with internal fluid ports
- Powder coat, Quick-Silver, or anodized finishes
- 17mm type 6617 pads
- Options with four or six pistons
- Front and rear applications for rotor widths from 1.10" to 1.25"

Aerolite calipers with stainless steel pistons for street, custom, and dual sport track performance applications are available in gloss red or black powder coat, as well as the new Quick-Silver nickel based finish. Select base model calipers with stainless steel pistons are also available in the traditional Wilwood black anodized finish. When wheel clearance permits, Aerolite 4 and 6 piston calipers can be substituted in any applicable W4A or W6A caliper big brake kit.

### ORDERING INFORMATION, 4 PISTON:

Part Number	Caliper	Piston Size	Disc Width	Orientation	Finish
120-13285-BK	Aerolite 4R	1.88/1.62" (47,8/41,1 mm)	1.25" 31,8 mm	Right Hand	Black Powder
120-13285-RD	Aerolite 4R	1.88/1.62" (47,8/41,1 mm)	1.25" 31,8 mm	Right Hand	Red Powder
120-13286-BK	Aerolite 4R	1.88/1.62" (47,8/41,1 mm)	1.25" 31,8 mm	Left Hand	Black Powder
120-13286-RD	Aerolite 4R	1.88/1.62" (47,8/41,1 mm)	1.25" 31,8 mm	Left Hand	Red Powder
120-13281-BK	Aerolite 4R	1.62/1.38" (41,1/35,1 mm)	1.25" 31,8 mm	Right Hand	Black Powder
120-13281-RD	Aerolite 4R	1.62/1.38" (41,1/35,1 mm)	1.25" 31,8 mm	Right Hand	Red Powder
120-13282-BK	Aerolite 4R	1.62/1.38" (41,1/35,1 mm)	1.25" 31,8 mm	Left Hand	Black Powder
120-13282-RD	Aerolite 4R	1.62/1.38" (41,1/35,1 mm)	1.25" 31,8 mm	Left Hand	Red Powder
120-13339	Aerolite 4R	1.12/1.12" (28,4/28,4 mm)	1.25" 31,8 mm	Right / Left	Black Anodized
120-13340-N	Aerolite 4R	1.12/1.12" (28,4/28,4 mm)	1.25" 31,8 mm	Right / Left	Quick-Silver
120-13338-BK	Aerolite 4R	1.12/1.12" (28,4/28,4 mm)	1.10" 27,9 mm	Right / Left	Black Powder
120-13338-RD	Aerolite 4R	1.12/1.12" (28,4/28,4 mm)	1.10" 27,9 mm	Right / Left	Red Powder
120-13338-N	Aerolite 4R	1.12/1.12" (28,4/28,4 mm)	1.10" 27,9 mm	Right / Left	Quick-Silver

\*\* To download a high resolution photo of these products, please go to our FTP location:

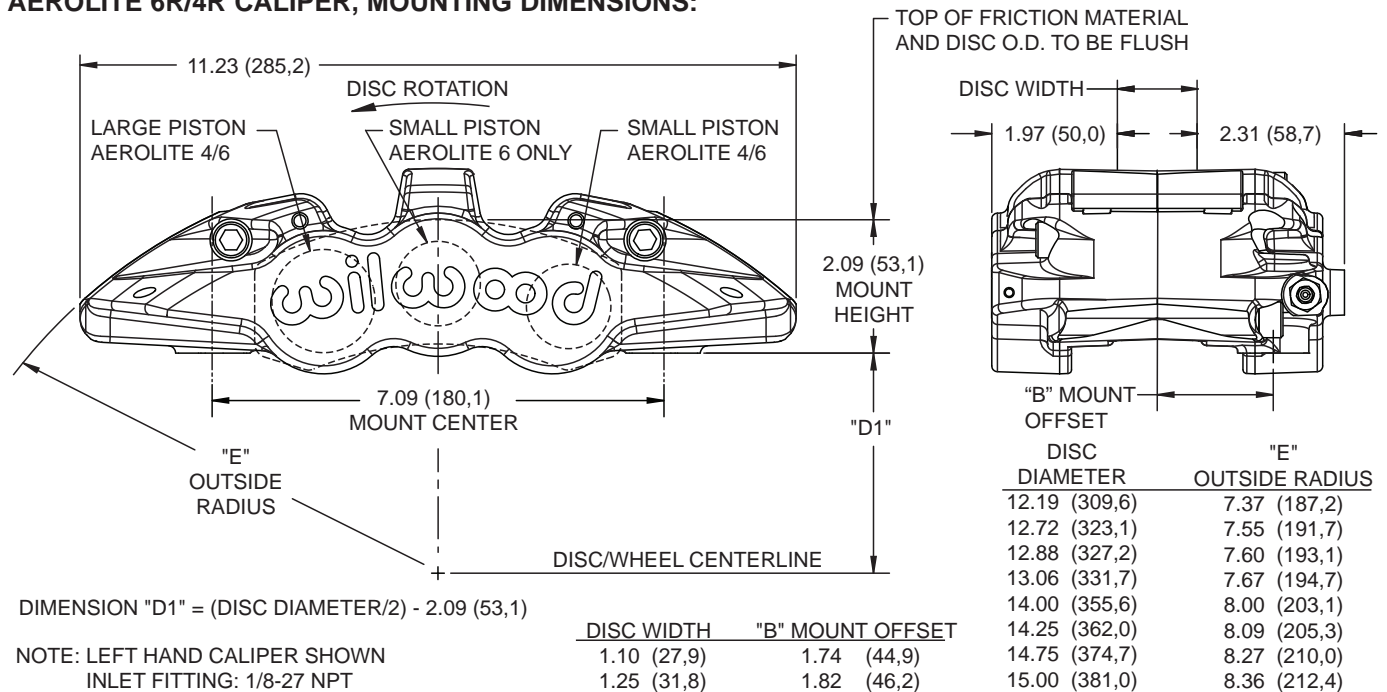
<ftp://photos.wilwood.com> • Username: advert • Password: photos

Path: Calipers / Aerolite 6R 120-13290-RD.tif

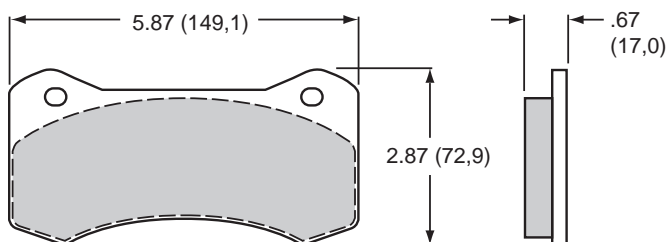
## ORDERING INFORMATION, 6 PISTON:

Part Number	Caliper	Piston Size	Disc Width	Orientation	Finish
120-13293-BK	Aerolite 6R	1.75/1.38/1.38" (44,5/35,1/35,1 mm)	1.25" 31,8 mm	Right Hand	Black Powder
120-13293-RD	Aerolite 6R	1.75/1.38/1.38" (44,5/35,1/35,1 mm)	1.25" 31,8 mm	Right Hand	Red Powder
120-13293-N	Aerolite 6R	1.75/1.38/1.38" (44,5/35,1/35,1 mm)	1.25" 31,8 mm	Right Hand	Quick-Silver
120-13294-BK	Aerolite 6R	1.75/1.38/1.38" (44,5/35,1/35,1 mm)	1.25" 31,8 mm	Left Hand	Black Powder
120-13294-RD	Aerolite 6R	1.75/1.38/1.38" (44,5/35,1/35,1 mm)	1.25" 31,8 mm	Left Hand	Red Powder
120-13294-N	Aerolite 6R	1.75/1.38/1.38" (44,5/35,1/35,1 mm)	1.25" 31,8 mm	Left Hand	Quick-Silver
120-13289-BK	Aerolite 6R	1.62/1.12/1.12" (41,1/28,4/28,4 mm)	1.25" 31,8 mm	Right Hand	Black Powder
120-13289-RD	Aerolite 6R	1.62/1.12/1.12" (41,1/28,4/28,4 mm)	1.25" 31,8 mm	Right Hand	Red Powder
120-13289-N	Aerolite 6R	1.62/1.12/1.12" (41,1/28,4/28,4 mm)	1.25" 31,8 mm	Right Hand	Quick-Silver
120-13290-BK	Aerolite 6R	1.62/1.12/1.12" (41,1/28,4/28,4 mm)	1.25" 31,8 mm	Left Hand	Black Powder
120-13290-RD	Aerolite 6R	1.62/1.12/1.12" (41,1/28,4/28,4 mm)	1.25" 31,8 mm	Left Hand	Red Powder
120-13290-N	Aerolite 6R	1.62/1.12/1.12" (41,1/28,4/28,4 mm)	1.25" 31,8 mm	Left Hand	Quick-Silver

## AEROLITE 6R/4R CALIPER, MOUNTING DIMENSIONS:



## AEROLITE 6R/4R CALIPER, TYPE 6617 PAD DIMENSIONS AND ORDERING INFORMATION:



AXLE SET PART NO.	PAD TYPE/COMPOUND
15A - 9977K	6617 A PolyMatrix A
15B - 9978K	6617 B PolyMatrix B
15E - 12604K	6617 E PolyMatrix E
15H - 9979K	6617 H PolyMatrix H
150 - 9488K	6617 10 BP-10
150 - 9489K	6617 20 BP-20
150 - 9980K	6617 30 BP-30
150 - 12251K	6617 40 BP-40
150 - 12486K	6617 PCM