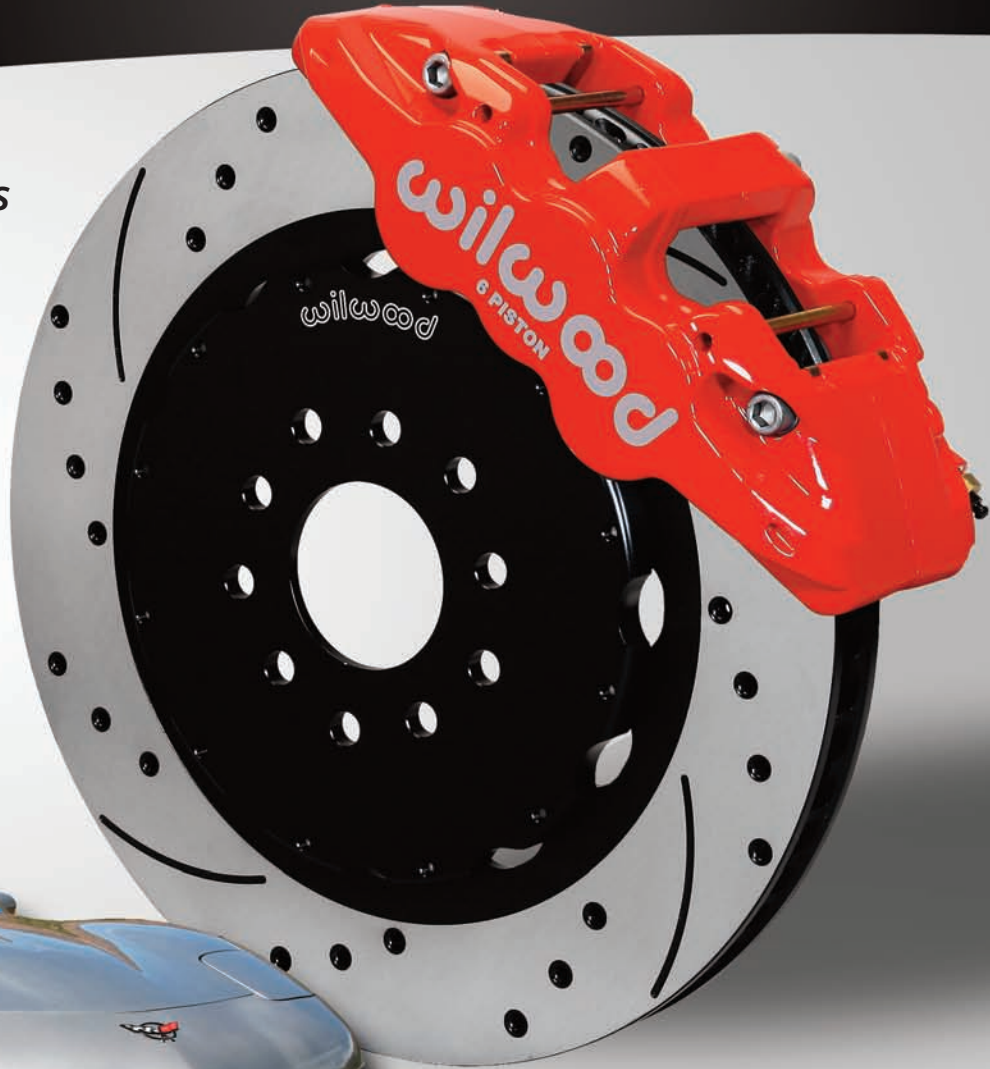




C5/C6 CORVETTE • 1997-2013 FRONT AEROLITE 6R 15 INCH BRAKE KIT

Aerolite 6R Front Brake kits for the C5 and C6 Chevrolet Corvette combine cutting edge technology with high-tech styling to deliver track proven endurance and big brake performance for the street, track, or show.

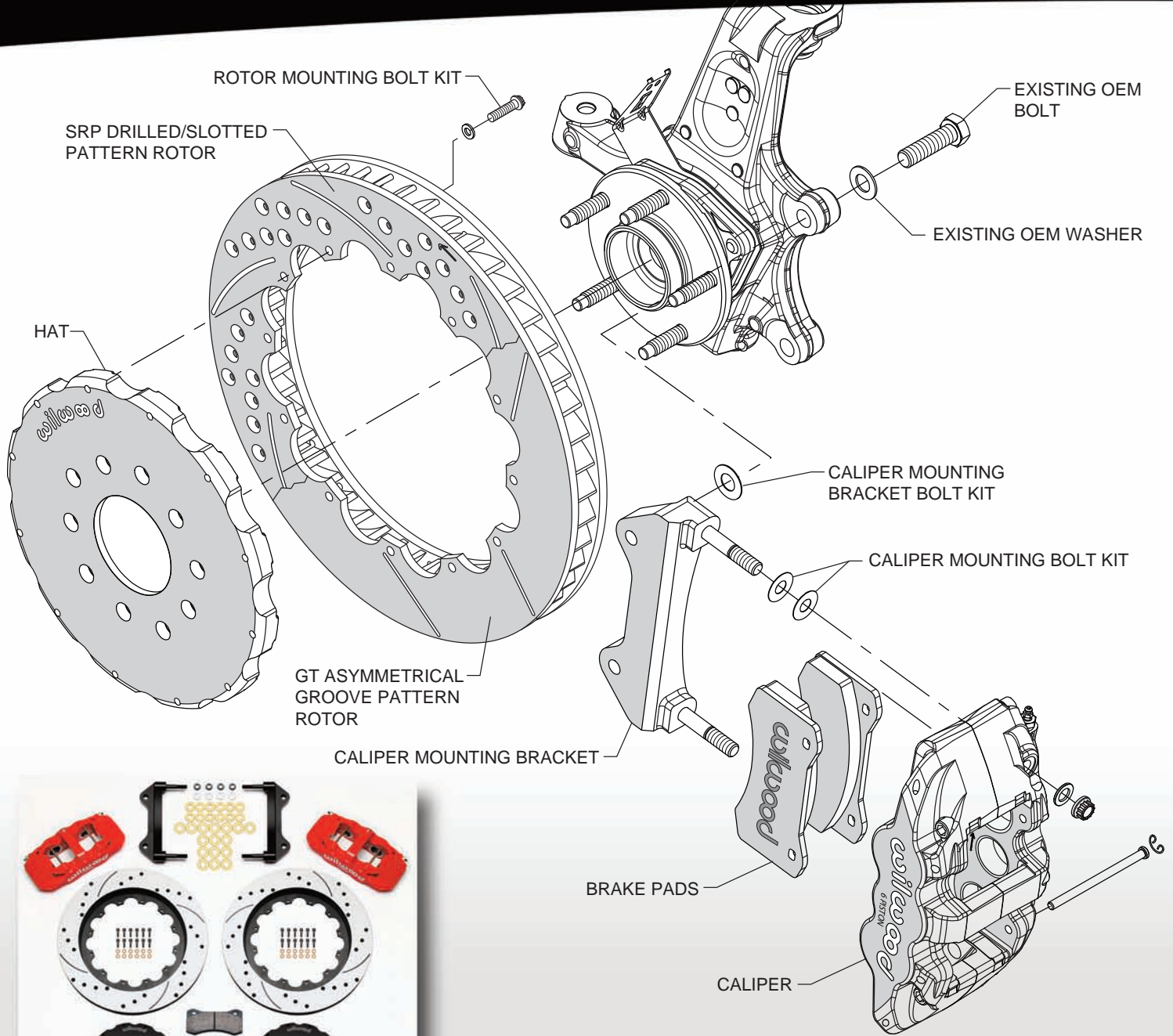


Kit Features



- Aerolite 6-piston radial mount forged aluminum calipers
- Fits inside most 19" wheels⁽¹⁾
- 15.00" x 1.25" staggered vane **Spec 37** alloy SRP drilled and slotted rotors for street, or GT slotted only for street and track
- BP-20 compound Smart Pads for extreme duty dual-purpose street/track vehicle
- Fully compatible with ABS and OE master cylinder output
- Choice of gloss black, red, or Quick-Silver nickel plate calipers
- DOT approved stainless steel braided flexlines must be ordered separately by model year
- Options for dedicated race-only pads and Thermlock[®] pistons
- Simple bolt-on kit complete with all the necessary hardware and a detailed installation guide

(1) Wilwood always recommends checking www.wilwood.com for complete year/make/model application data and specific wheel clearance requirements



PLEASE CHECK: WILWOOD ALWAYS RECOMMENDS CHECKING www.wilwood.com FOR COMPLETE YEAR/MAKE/MODEL APPLICATION DATA AND SPECIFIC WHEEL CLEARANCE REQUIREMENTS.

ORDERING INFORMATION:

PART NUMBER	DESCRIPTION	ROTOR TYPE
140-13903	Front Kit, All C5 and C6 with Black Aerolite 6R Calipers 15.00" Spec 37 rotors	GT
140-13903-D	Front Kit, All C5 and C6 with Black Aerolite 6R Calipers 15.00" Spec 37 rotors	SRP
140-13903-R	Front Kit, All C5 and C6 with Red Aerolite 6R Calipers 15.00" Spec 37 rotors	GT
140-13903-DR	Front Kit, All C5 and C6 with Red Aerolite 6R Calipers 15.00" Spec 37 rotors	SRP