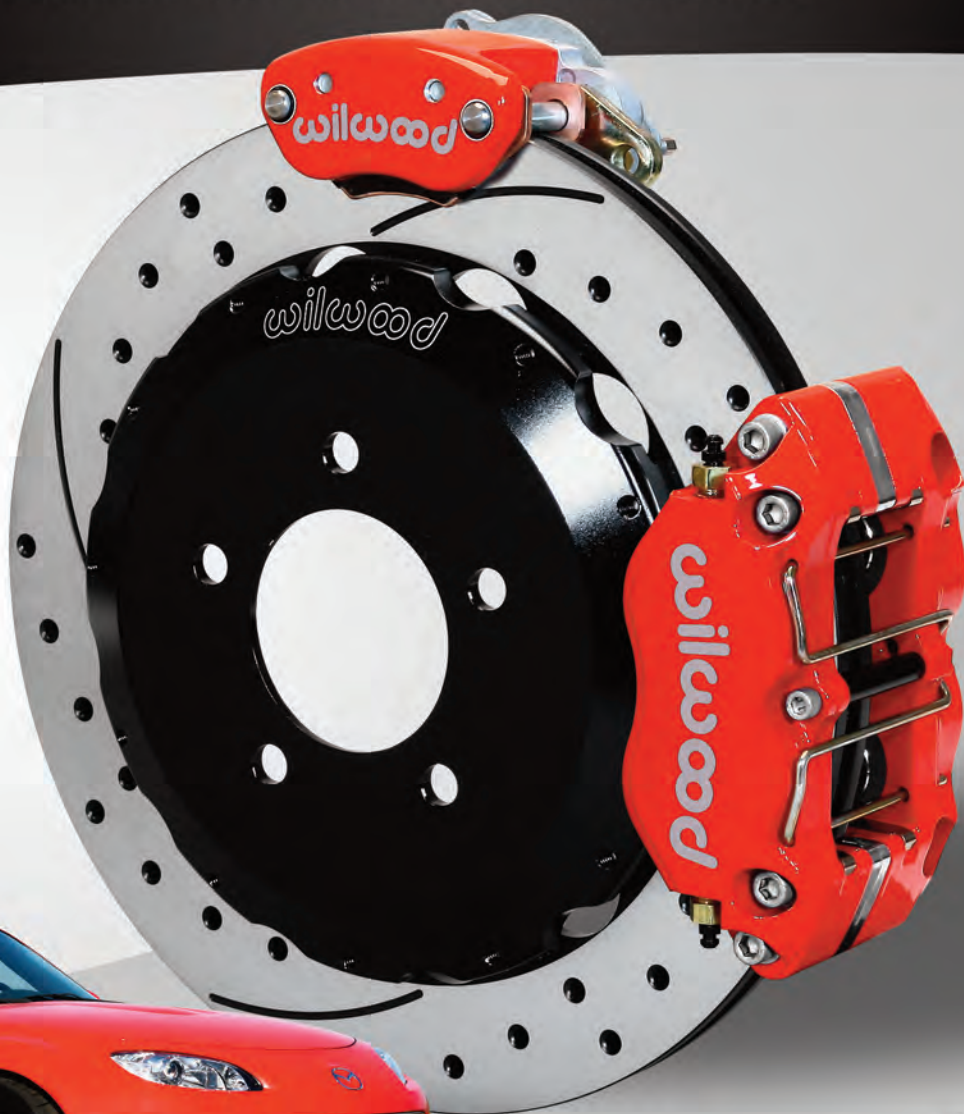




MAZDA MX-5 MIATA • 2006-2015 DYNAPRO 4R / MC4 REAR BRAKE KITS

DynaPro 4R / MC4 Rear Brake kits for the 2006-2015 Mazda MX-5 Miata combine the track proven endurance and high-tech styling of the DynaPro 4R caliper with an integrated MC4 parking brake caliper and 12.88" diameter rotors.

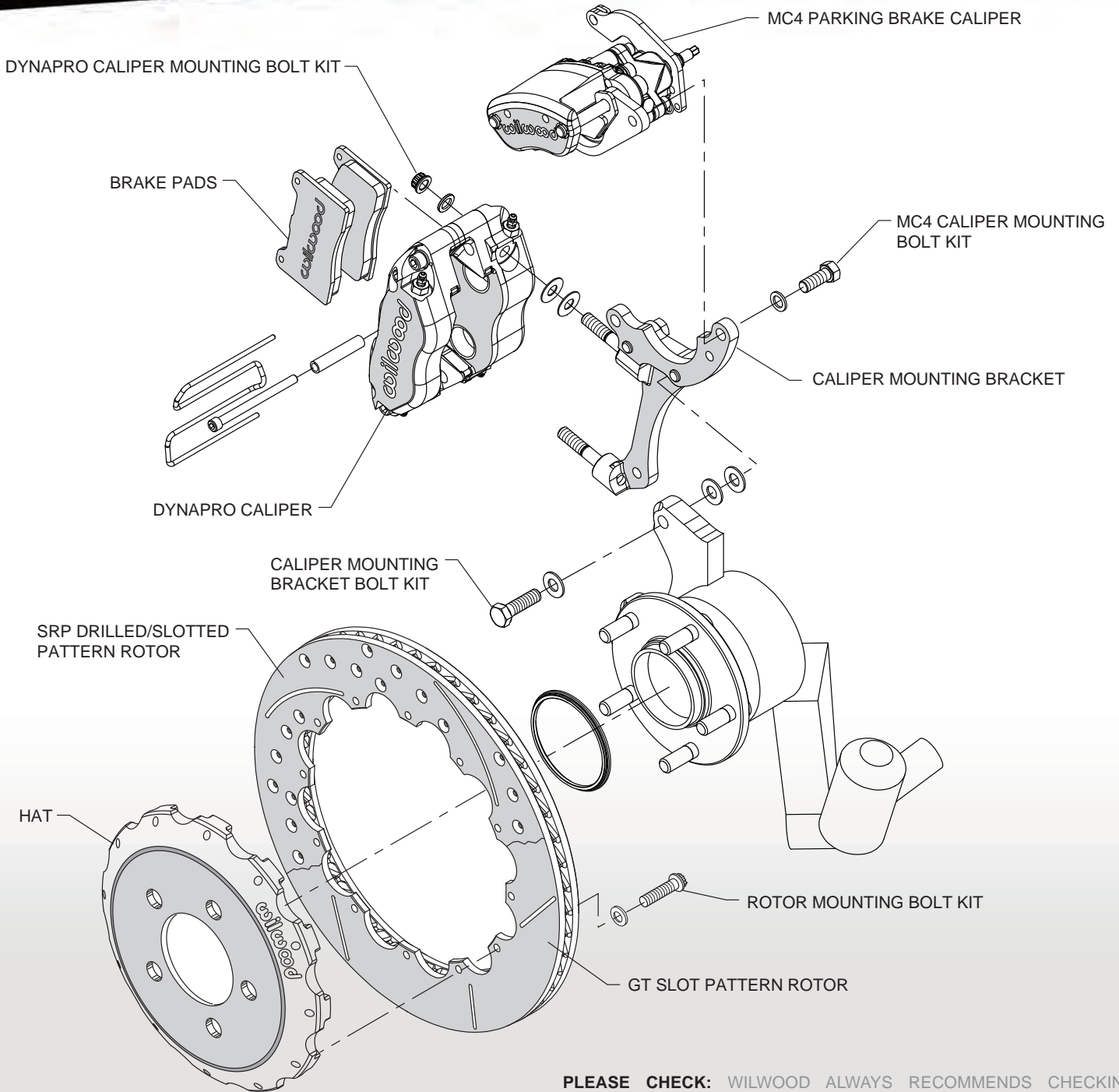


Kit Features



- DynaPro four piston radial mount forged aluminum calipers with stainless steel pistons
- MC4 mechanical parking brake calipers with cable adapter kit
- 12.88" diameter directional vane GT competition or SRP drilled and slotted rotors with hats ⁽¹⁾
- BP-10 metallic – composite compound *SmartPads*
- Fully compatible with factory master cylinder output and all ABS system controls
- Calipers available with choice of gloss red or black powder coat
- All inclusive kit complete with DOT approved stainless steel braided flexlines and hardware
- Kits include a detailed guide with step-by-step instructions of the fully bolt-on installation
- Bias-matched with Wilwood SL6R six piston front big brake kits

(1) Wilwood always recommends checking www.wilwood.com for complete year/make/model application data and specific wheel clearance requirements



PLEASE CHECK: WILWOOD ALWAYS RECOMMENDS CHECKING www.wilwood.com FOR COMPLETE YEAR/MAKE/MODEL APPLICATION DATA AND SPECIFIC WHEEL CLEARANCE REQUIREMENTS.

ORDERING INFORMATION: Complete Rear Brake Kits for 2006-2015 Mazda MX-5 Miata

PART NUMBER	DESCRIPTION	CALIPER FINISH
140-15034	DynaPro 4R with MC4 Parking Brake Calipers, 12.88" GT Competition Series Rotors	Black Powder Coat
140-15034-D	DynaPro 4R with MC4 Parking Brake Calipers, 12.88" SRP Drilled and Slotted Rotors	Black Powder Coat
140-15034-R	DynaPro 4R with MC4 Parking Brake Calipers, 12.88" GT Competition Series Rotors	Red Powder Coat
140-15034-DR	DynaPro 4R with MC4 Parking Brake Calipers, 12.88" SRP Drilled and Slotted Rotors	Red Powder Coat