

#### **WILWOOD'S TRU-BAR 60 DEGREE MASTER CYLINDER MOUNT**

*combines the precision-adjustment capability of a fixed trunnion bearing balance bar, with spherical bearing rod ends for the master cylinder pushrods, in an overall compact design. Remote reservoir-fill master cylinders are mounted on a 60 degree angle to accommodate mounting on sprint cars, open wheel modifieds, and other space-limited applications that require precision bias tuning with actuation from a remote mounted brake pedal.*



*Pedal shown  
with optional  
master cylinders*

### **TRU-BAR 60 DEGREE MOUNT FEATURES**



- Fixed-mount center trunnion and spherical bearing pushrod ends maintain precise settings without balance migration
- Overall improved feel, accuracy and response from the stiffer close-tolerance assembly
- High strength, heat treated 4340 steel 7/16-20 adjustment bar adds rigidity and more influence per turn
- Step-shoulder adjustment bar with 3/8-24 threaded ends allows use of direct mount adjustment knob or any common remote adjust cable
- Spring dampened for improved adjustment control and feel
- High leverage, machined billet pivot arm increases input force at a ratio of 1.46:1 for better driver feel
- Uses all standard 2.25" bolt center vertical mount flange remote feed reservoir master cylinders

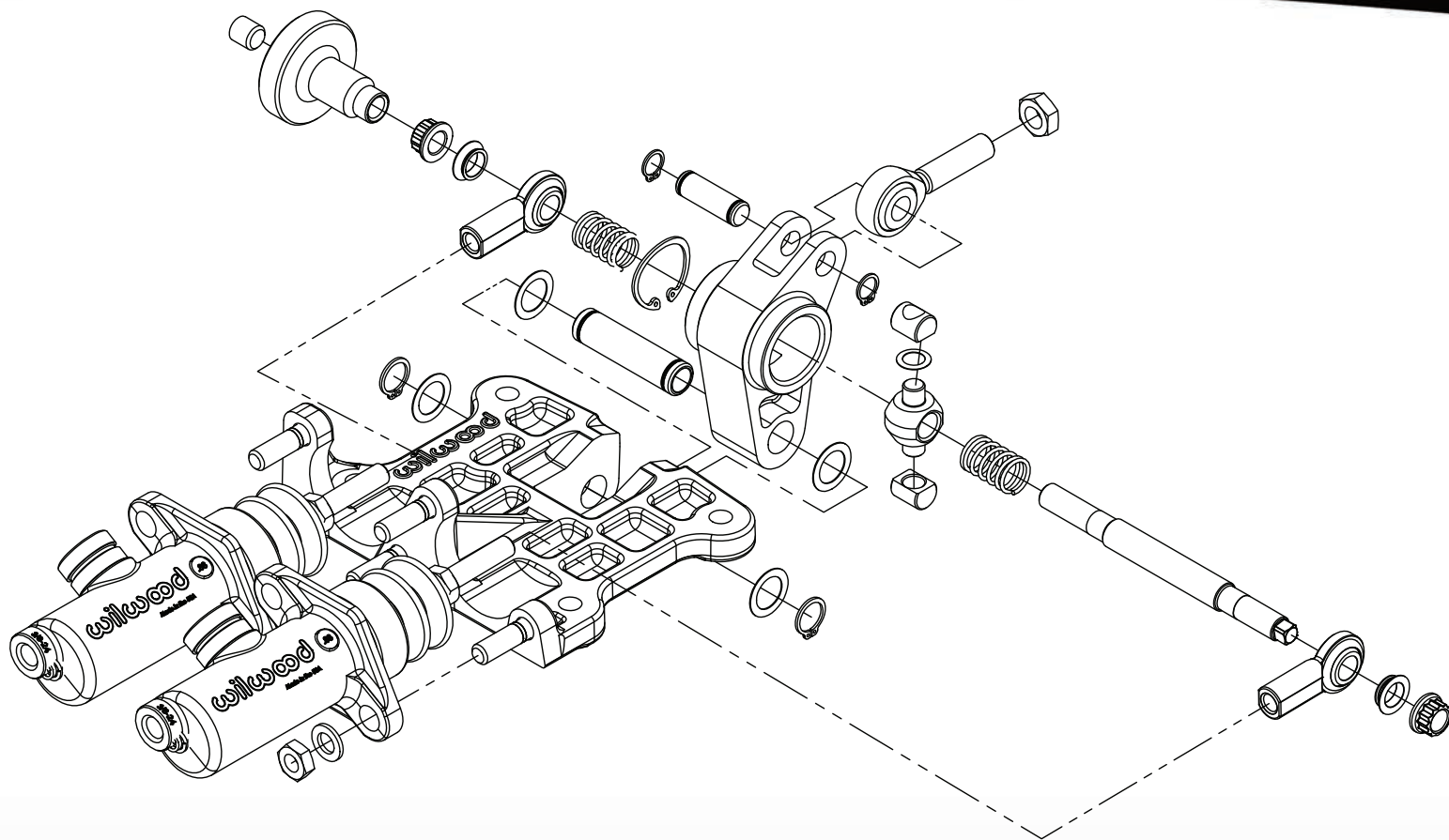


Figure 1. Tru-Bar 60 Degree Remote Master Cylinder Mount Exploded View Diagram Shown with Optional Master Cylinders

#### ORDERING INFORMATION: Tru-Bar 60 Degree Remote Brake Pedal Dual Master Cylinder Mount

PART NUMBER	DESCRIPTION	BORE SIZE
340-14380	Tru-Bar 60 Degree Remote Brake Pedal Dual Master Cylinder Mount	N/A
<b>Master Cylinders</b>		
Master Cylinders Sold Separately		
260-10371	Remote Compact Combination Master Cylinder Kit, Black E-Coat, 1/8-27 NPT Fluid Outlet Port	5/8"
260-10372	Remote Compact Combination Master Cylinder Kit, Black E-Coat, 1/8-27 NPT Fluid Outlet Port	3/4"
260-10373	Remote Compact Combination Master Cylinder Kit, Black E-Coat, 1/8-27 NPT Fluid Outlet Port	13/16"
260-10374	Remote Compact Combination Master Cylinder Kit, Black E-Coat, 1/8-27 NPT Fluid Outlet Port	7/8"
260-10375	Remote Compact Combination Master Cylinder Kit, Black E-Coat, 1/8-27 NPT Fluid Outlet Port	1.00"
260-10376	Remote Compact Combination Master Cylinder Kit, Black E-Coat, 1/8-27 NPT Fluid Outlet Port	1-1/8"
260-13618	Remote Compact Combination Master Cylinder Kit, Black E-Coat, 3/8-24 UNF Banjo Outlet Port	5/8"
260-13619	Remote Compact Combination Master Cylinder Kit, Black E-Coat, 3/8-24 UNF Banjo Outlet Port	3/4"
260-13620	Remote Compact Combination Master Cylinder Kit, Black E-Coat, 3/8-24 UNF Banjo Outlet Port	13/16"
260-13621	Remote Compact Combination Master Cylinder Kit, Black E-Coat, 3/8-24 UNF Banjo Outlet Port	7/8"
260-13622	Remote Compact Combination Master Cylinder Kit, Black E-Coat, 3/8-24 UNF Banjo Outlet Port	1.00"
260-13623	Remote Compact Combination Master Cylinder Kit, Black E-Coat, 3/8-24 UNF Banjo Outlet Port	1-1/8"