

DISC BRAKES
wilwood

HONDA CIVIC
1988 - 2000
**DYNALITE/ST ROAD RACE
FRONT DISC BRAKE KIT**



***DYNALITE/ST ROAD RACE
FRONT DISC BRAKE KITS***
*incorporate Wilwood's
championship-caliber
technology to deliver
track-proven durability
and performance in
sustained high-heat
on-track competition.*



KIT FEATURES



- Designed for the OE 4 lug small rotor spindles and fitment with 15.00" wheels for compliance with popular sanction rules
- Dynalite/ST forged aluminum calipers with four Thermlock® pistons, damping springs and aluminum mounting brackets
- PolyMatrix H compound high-heat, long-wear brake pads
- **Spec37** alloy 11.00" / 280mm GT-72 vane competition rotors
- Two-piece rotor mounting with weight saving aluminum hats
- Fully compatible with factory power brakes or booster-delete manual conversions used with properly sized master cylinders
- All-inclusive kit complete with DOT compliant stainless steel braided flexlines, hardware and a detailed installation guide

Note: Check www.wilwood.com for complete year/make/model application data and specific wheel clearance requirements.

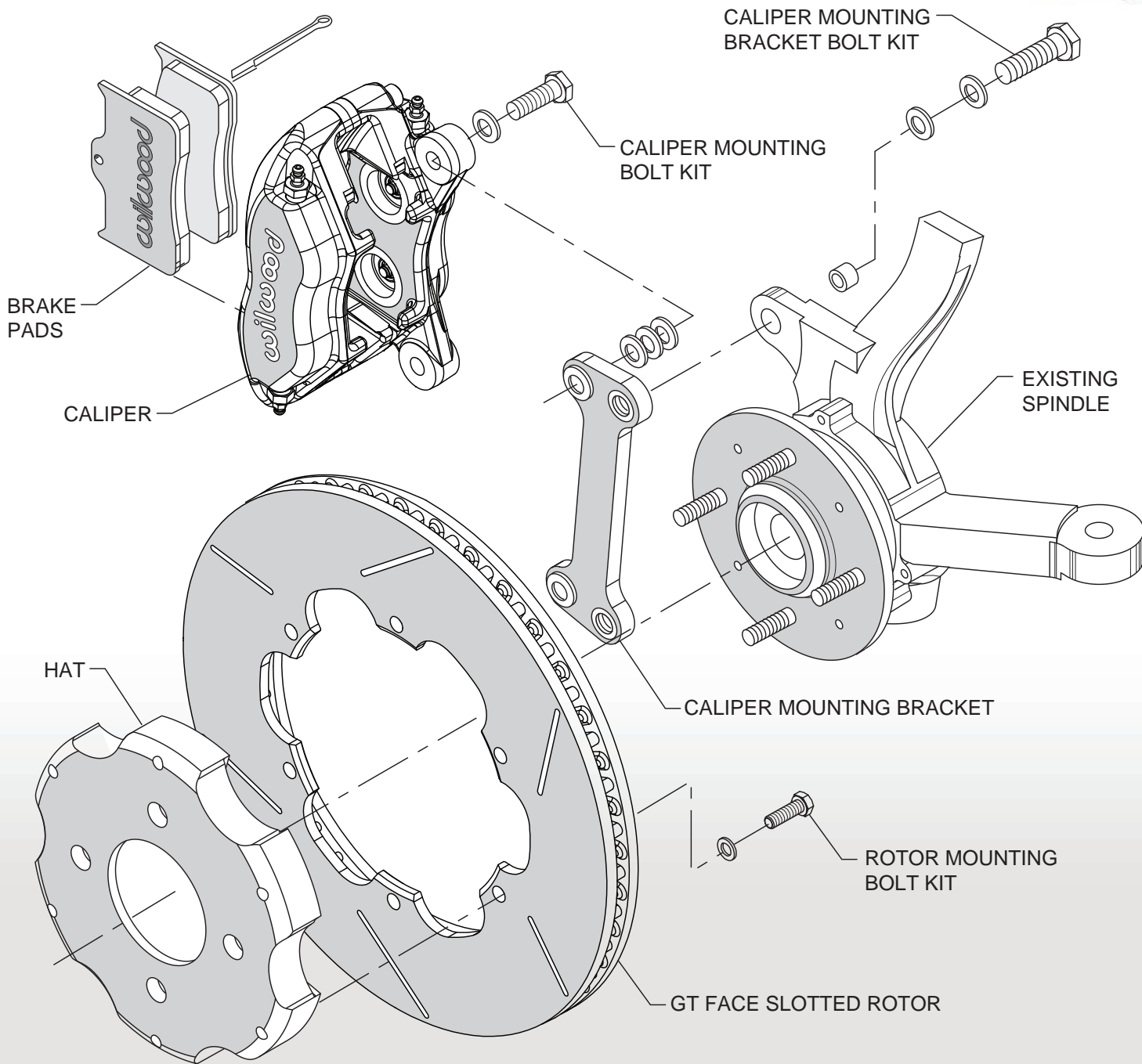


Figure 1. Typical Installation Diagram

PLEASE CHECK: WILWOOD ALWAYS RECOMMENDS CHECKING www.wilwood.com FOR COMPLETE YEAR/MAKE/MODEL APPLICATION DATA AND SPECIFIC WHEEL CLEARANCE REQUIREMENTS.

ORDERING INFORMATION: 1988-2000 Honda Civic with OE 4 Lug 240mm Disc Spindles

PART NUMBER	DESCRIPTION	CALIPER FINISH
140-14304	Dynalite/ST Caliper, 11.00" Spec37 GT Competition Series Rotor for Honda OE 240mm Disc Spindle	Black Anodize