

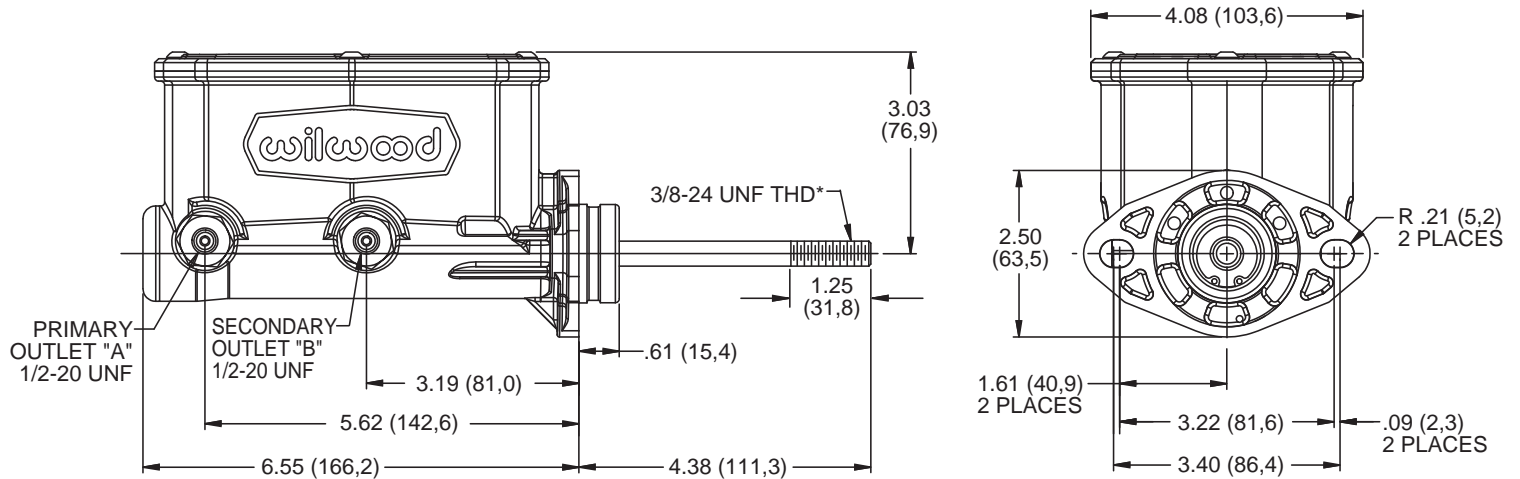
#### Master Cylinder Features

- High-pressure, lightweight, high-strength, die-cast aluminum body
- Compact design with 6.55" overall length from the mounting flange, and 3.03" height from bore center
- Fully captured bellows lid gaskets completely isolate and seal fluid from outside moisture and debris
- Available bore sizes include: 7/8", 15/16", 1", and 1-1/8"
- 7/8" and 15/16" bore models include integral pushrods for manual pedals
- 1" and 1-1/8" bore models available for use with power boosters, or with captured pushrods for manual pedals
- Universal-style slotted hole mounting flange mounts to pedals or boosters with bolt centers from 3.22" to 3.40"
- Two pressure outlets in each circuit can be plumbed from either side
- Choice of glossy black E-coat or bright media burnished finish

#### Master Cylinder Kit Features

- Kits include a master cylinder, integrally mounted combination proportioning valve with bracket and pre-bent stainless steel lines
- The combination proportioning valve provides precise front/rear bias control and simplifies plumbing between the two fluid circuits
- The proportioning block includes a pressure indicator switch with a wiring pigtail for the brake lights to replace mechanical switches





Compact Tandem Master Cylinder, Physical Characteristics

### ORDERING INFORMATION, COMPACT TANDEM MASTER CYLINDERS:

PART NUMBER	DESCRIPTION	BORE SIZE	FINISH
260-14957-BK	Compact Die-Cast Tandem Master Cylinder with Pushrod	7/8"	Black
260-14957-P	Compact Die-Cast Tandem Master Cylinder with Pushrod	7/8"	Polished
260-15520-BK	Compact Die-Cast Tandem Master Cylinder with Pushrod, Mustang Only	7/8"	Black
260-15520-P	Compact Die-Cast Tandem Master Cylinder with Pushrod, Mustang Only	7/8"	Polished
260-14958-BK	Compact Die-Cast Tandem Master Cylinder with Pushrod	15/16"	Black
260-14958-P	Compact Die-Cast Tandem Master Cylinder with Pushrod	15/16"	Polished
260-15521-BK	Compact Die-Cast Tandem Master Cylinder with Pushrod, Mustang Only	15/16"	Black
260-15521-P	Compact Die-Cast Tandem Master Cylinder with Pushrod, Mustang Only	15/16"	Polished
260-14959-BK	Compact Die-Cast Tandem Master Cylinder without Pushrod	1"	Black
260-14959-P	Compact Die-Cast Tandem Master Cylinder without Pushrod	1"	Polished
260-15540-BK	Compact Die-Cast Tandem Master Cylinder with Pushrod	1"	Black
260-15540-P	Compact Die-Cast Tandem Master Cylinder with Pushrod	1"	Polished
260-15542-BK	Compact Die-Cast Tandem Master Cylinder with Pushrod, Mustang Only	1"	Black
260-15542-P	Compact Die-Cast Tandem Master Cylinder with Pushrod, Mustang Only	1"	Polished
260-14960-BK	Compact Die-Cast Tandem Master Cylinder without Pushrod	1-1/8"	Black
260-14960-P	Compact Die-Cast Tandem Master Cylinder without Pushrod	1-1/8"	Polished
260-15541-BK	Compact Die-Cast Tandem Master Cylinder with Pushrod	1-1/8"	Black
260-15541-P	Compact Die-Cast Tandem Master Cylinder with Pushrod	1-1/8"	Polished
260-15543-BK	Compact Die-Cast Tandem Master Cylinder with Pushrod, Mustang Only	1-1/8"	Black
260-15543-P	Compact Die-Cast Tandem Master Cylinder with Pushrod, Mustang Only	1-1/8"	Polished



### ORDERING INFORMATION, COMPACT TANDEM MASTER CYLINDER KITS:

PART NUMBER	DESCRIPTION	BORE SIZE	FINISH
261-14961-BK	Tandem Master Cylinder Kit w/Combination Proportion Valve and Bracket Kit with Pushrod, L/H	7/8"	Black
261-14961-P	Tandem Master Cylinder Kit w/Combination Proportion Valve and Bracket Kit with Pushrod, L/H	7/8"	Polished
261-15522-BK	Tandem Master Cylinder Kit w/Combination Proportion Valve and Bracket Kit with Pushrod, L/H, Mustang Only	7/8"	Black
261-15522-P	Tandem Master Cylinder Kit w/Combination Proportion Valve and Bracket Kit with Pushrod, L/H, Mustang Only	7/8"	Polished
261-15659-BK	Tandem Master Cylinder Kit w/Combination Proportion Valve and Bracket Kit with Pushrod, R/H	7/8"	Black
261-15659-P	Tandem Master Cylinder Kit w/Combination Proportion Valve and Bracket Kit with Pushrod, R/H	7/8"	Polished
261-15663-BK	Tandem Master Cylinder Kit w/Combination Proportion Valve and Bracket Kit with Pushrod, R/H, Mustang Only	7/8"	Black
261-15663-P	Tandem Master Cylinder Kit w/Combination Proportion Valve and Bracket Kit with Pushrod, R/H, Mustang Only	7/8"	Polished
261-14962-BK	Tandem Master Cylinder Kit w/Combination Proportion Valve and Bracket Kit with Pushrod, L/H	15/16"	Black
261-14962-P	Tandem Master Cylinder Kit w/Combination Proportion Valve and Bracket Kit with Pushrod, L/H	15/16"	Polished
261-15523-BK	Tandem Master Cylinder Kit w/Combination Proportion Valve and Bracket Kit with Pushrod, L/H, Mustang Only	15/16"	Black
261-15523-P	Tandem Master Cylinder Kit w/Combination Proportion Valve and Bracket Kit with Pushrod, L/H, Mustang Only	15/16"	Polished
261-15660-BK	Tandem Master Cylinder Kit w/Combination Proportion Valve and Bracket Kit with Pushrod, R/H	15/16"	Black
261-15660-P	Tandem Master Cylinder Kit w/Combination Proportion Valve and Bracket Kit with Pushrod, R/H	15/16"	Polished
261-15664-BK	Tandem Master Cylinder Kit w/Combination Proportion Valve and Bracket Kit with Pushrod, R/H, Mustang Only	15/16"	Black
261-15664-P	Tandem Master Cylinder Kit w/Combination Proportion Valve and Bracket Kit with Pushrod, R/H, Mustang Only	15/16"	Polished
261-14963-BK	Tandem Master Cylinder Kit w/Combination Proportion Valve and Bracket Kit without Pushrod, L/H	1"	Black
261-14963-P	Tandem Master Cylinder Kit w/Combination Proportion Valve and Bracket Kit without Pushrod, L/H	1"	Polished
261-15544-BK	Tandem Master Cylinder Kit w/Combination Proportion Valve and Bracket Kit with Pushrod, L/H, Mustang Only	1"	Black
261-15544-P	Tandem Master Cylinder Kit w/Combination Proportion Valve and Bracket Kit with Pushrod, L/H, Mustang Only	1"	Polished
261-15661-BK	Tandem Master Cylinder Kit w/Combination Proportion Valve and Bracket Kit without Pushrod, R/H	1"	Black
261-15661-P	Tandem Master Cylinder Kit w/Combination Proportion Valve and Bracket Kit without Pushrod, R/H	1"	Polished
261-15665-BK	Tandem Master Cylinder Kit w/Combination Proportion Valve and Bracket Kit with Pushrod, R/H, Mustang Only	1"	Black
261-15665-P	Tandem Master Cylinder Kit w/Combination Proportion Valve and Bracket Kit with Pushrod, R/H, Mustang Only	1"	Polished
261-14964-BK	Tandem Master Cylinder Kit w/Combination Proportion Valve and Bracket Kit without Pushrod, L/H	1-1/8"	Black
261-14964-P	Tandem Master Cylinder Kit w/Combination Proportion Valve and Bracket Kit without Pushrod, L/H	1-1/8"	Polished
261-15545-BK	Tandem Master Cylinder Kit w/Combination Proportion Valve and Bracket Kit with Pushrod, L/H, Mustang Only	1-1/8"	Black
261-15545-P	Tandem Master Cylinder Kit w/Combination Proportion Valve and Bracket Kit with Pushrod, L/H, Mustang Only	1-1/8"	Polished
261-15662-BK	Tandem Master Cylinder Kit w/Combination Proportion Valve and Bracket Kit with Pushrod, R/H	1-1/8"	Black
261-15662-P	Tandem Master Cylinder Kit w/Combination Proportion Valve and Bracket Kit with Pushrod, R/H	1-1/8"	Polished
261-15666-BK	Tandem Master Cylinder Kit w/Combination Proportion Valve and Bracket Kit with Pushrod, R/H, Mustang Only	1-1/8"	Black
261-15666-P	Tandem Master Cylinder Kit w/Combination Proportion Valve and Bracket Kit with Pushrod, R/H, Mustang Only	1-1/8"	Polished