

BOLT-ON UPGRADE FORGED BILLET CALIPER KIT

FORGED BILLET GM METRIC D154 CALIPER

The Wilwood D154 forged billet caliper is a lightweight, high-strength, extreme-duty alternative to cast iron GM "metric" calipers. This improved design is a direct bolt-on replacement for General Motors '78-'87 A/G-body, '82-'91 F-body, and S10/S15 trucks using the "metric" caliper. These calipers also make an excellent upgrade for disc conversions on all types of hot rods and street machines originally done with GM parts.

- Designed using computer 3D modeling and FEA stress analysis technology.
- Stress-flow forging realigns aluminum's internal grain structure for superior strength.
- Substantial weight savings over the original cast iron caliper.
- Stainless steel pistons for durability and heat resistance.
- High-temperature square face bore seals.
- Improved rust and corrosion resistance.
- Configured to mount in the stock location over the original rotor.
- High-strength zinc plated slide pins.
- Compatible with Wilwood or OE replacement style pads.



Three piston sizes available:
2.50" single piston, 1.62/1.62"
or 1.12/1.12" dual piston. The
larger dual-piston translates
to slightly less clamping
force than the single-piston
but with more even pressure.
The small-bore dual piston is
sized for use on the rear of
four-wheel disc brake cars.

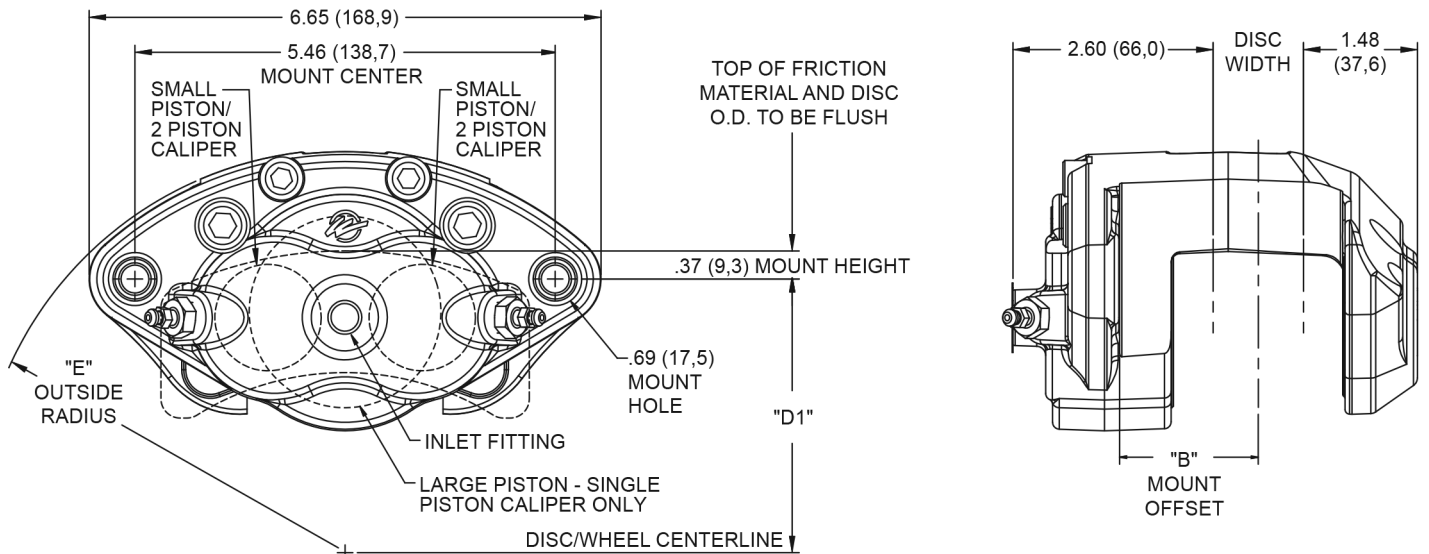


ORDERING INFO: PH: 805.388.1188 • FAX: 805.388.4938 • wilwood.com • info@wilwood.com

PART NUMBER	DESCRIPTION	COLOR	BORE SIZE	DISC WIDTH	BRAKE PAD
140-12099-R	D154 Front Caliper Kit	RED	1.62" (41,1)	1.04" (26,4)	BP-10
140-12099-BK	D154 Front Caliper Kit	BLACK	1.62" (41,1)	1.04" (26,4)	BP-10
140-12100-R	D154 Front Caliper Kit	RED	1.62" (41,1)	0.81" (20,6)	BP-10
140-12100-BK	D154 Front Caliper Kit	BLACK	1.62" (41,1)	0.81" (20,6)	BP-10
140-12097-P	D154 Front Caliper Kit	POLISHED	2.50" (63,5)	1.04" (26,4)	BP-10
140-12097-R	D154 Front Caliper Kit	RED	2.50" (63,5)	1.04" (26,4)	BP-10
140-12097-BK	D154 Front Caliper Kit	BLACK	2.50" (63,5)	1.04" (26,4)	BP-10
140-12098-R	D154 Front Caliper Kit	RED	2.50" (63,5)	0.81" (20,6)	BP-10
140-12098-BK	D154 Front Caliper Kit	BLACK	2.50" (63,5)	0.81" (20,6)	BP-10
140-12101-P	D154 Rear Caliper Kit	POLISHED	1.12" (28,4)	1.04" (26,4)	BP-10
140-12101-R	D154 Rear Caliper Kit	RED	1.12" (28,4)	1.04" (26,4)	BP-10
140-12101-BK	D154 Rear Caliper Kit	BLACK	1.12" (28,4)	1.04" (26,4)	BP-10
140-12102-P	D154 Rear Caliper Kit	POLISHED	1.12" (28,4)	0.81" (20,6)	BP-10
140-12102-R	D154 Rear Caliper Kit	RED	1.12" (28,4)	0.81" (20,6)	BP-10
140-12102-BK	D154 Rear Caliper Kit	BLACK	1.12" (28,4)	0.81" (20,6)	BP-10

BOLT-ON UPGRADE FORGED BILLET CALIPER KIT

D154 CALIPER, MOUNTING DIMENSIONS:



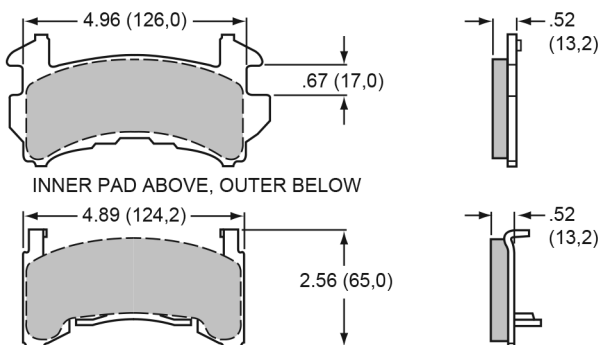
DIMENSION "D1" = (DISC DIAMETER/2) - .37 (9,3)
CALIPER MOVES INWARD AS PAD WEARS, .38 (9,5) MAX.
INLET FITTING: M10 x 1.5 BANJO

THIS CALIPER IS A DIRECT REPLACEMENT FOR FACTORY CALIPERS USING THE D154 TYPE BRAKE PAD.

DISC WIDTH	"B" MOUNT OFFSET
.81 (20,6)	1.67 (42,4)
1.04 (26,4)	1.80 (45,8)

DISC DIAMETER	"E" OUTSIDE RADIUS
11.00 (279,4)	6.82 (173,2)
11.75 (298,5)	7.19 (182,6)
11.88 (301,8)	7.26 (184,4)
12.19 (319,6)	7.41 (188,2)

D154 CALIPER, TYPE D154 PAD DIMENSIONS AND ORDERING INFORMATION:



AXLE SET P/N	CALIPER	PAD	COMPOUND
15A - 6219K	D154	A	Polymatrix
15B - 3998K	D154	B	PolyMatrix
15E - 6103K	D154	E	PolyMatrix
15Q - 6831K	D154	Q	PolyMatrix
150 - D0154K	D154	PM	ProMatrix
150 - 8936K	D154	10	BP-10 SmartPad
150 - 9422K	D154	20	BP-20 SmartPad
150 - 14778K	D154	30	BP-30 SmartPad
150 - 12250K	D154	40	BP-40 SmartPad

ORDERING INFORMATION: PH: 805.388.1188 • FAX: 805.388.4938 • wilwood.com • info@wilwood.com

CALIPER PART #	PISTON	O-RING KIT (4PK)	BLEED SCREW KIT (4PK)	SLIDE PIN KIT (4PK)
120-11870	200-11793	130-12084	220-0627	230-11529
120-11871	200-11793	130-12084	220-0627	230-11529
120-11872	200-11794	130-4346	220-0627	230-11529
120-11873	200-11794	130-4346	220-0627	230-11529
120-11874	200-11795	130-2579	220-0627	230-11529
120-11875	200-11795	130-2579	220-0627	230-11529