

AERO6R/ST 6 PISTON LUG-DRIVE/DYNAMIC MOUNT SN-95 MUSTANG ROAD RACE FRONT BRAKES

Aerolite six piston dynamic lug-drive road race brake kits provide the ultimate in high-endurance braking for all 1994-2004 SN-95 platform Ford Mustangs or earlier Fox-body Mustangs updated with 1994-95 SN-95 spindles.

Engineered for optimized braking and high-efficiency heat management in unrestricted class road racing on vehicles using production-based suspensions with SN-95 spindles.

CALIPERS:

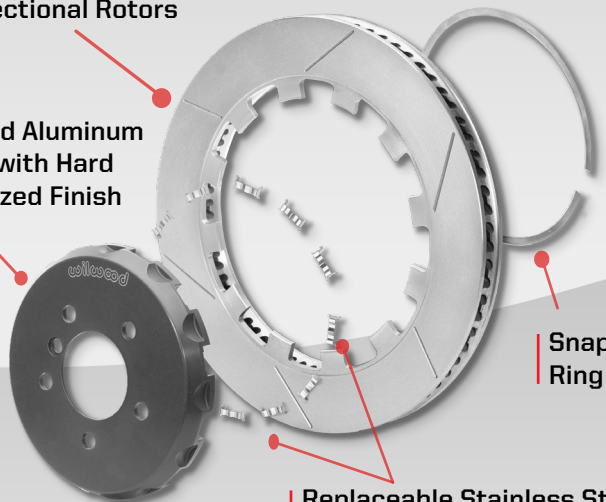
- **Aero6R/ST** - Aerolite competition series forged aluminum calipers feature Wilwood's exclusive **Thermlock®** heat-blocking pistons
- Internal piston damper springs provide positive retraction control for consistent pedal height
- Caliper body and bores finished with wear-resistant Mil-Spec Type III aluminum-oxide ceramic hard anod

BRAKE PADS:

- Race compound **SmartPads** provide consistently smooth and predictable engagement with high-response and complete fade resistance in high heat
- Optional compounds also available for fine-tuning response to driver preference and track conditions

Spec37 Alloy SV/GT-72 Directional Rotors

Forged Aluminum
Hats with Hard
Anodized Finish



Snap
Ring

Replaceable Stainless Steel
Anti-Rattle Wear Plates



**Aero6R/ST
Lug-Drive
Road Race Kit**
P/N [140-16859](#)

LUG-DRIVE DYNAMIC MOUNT ROTOR SYSTEM:

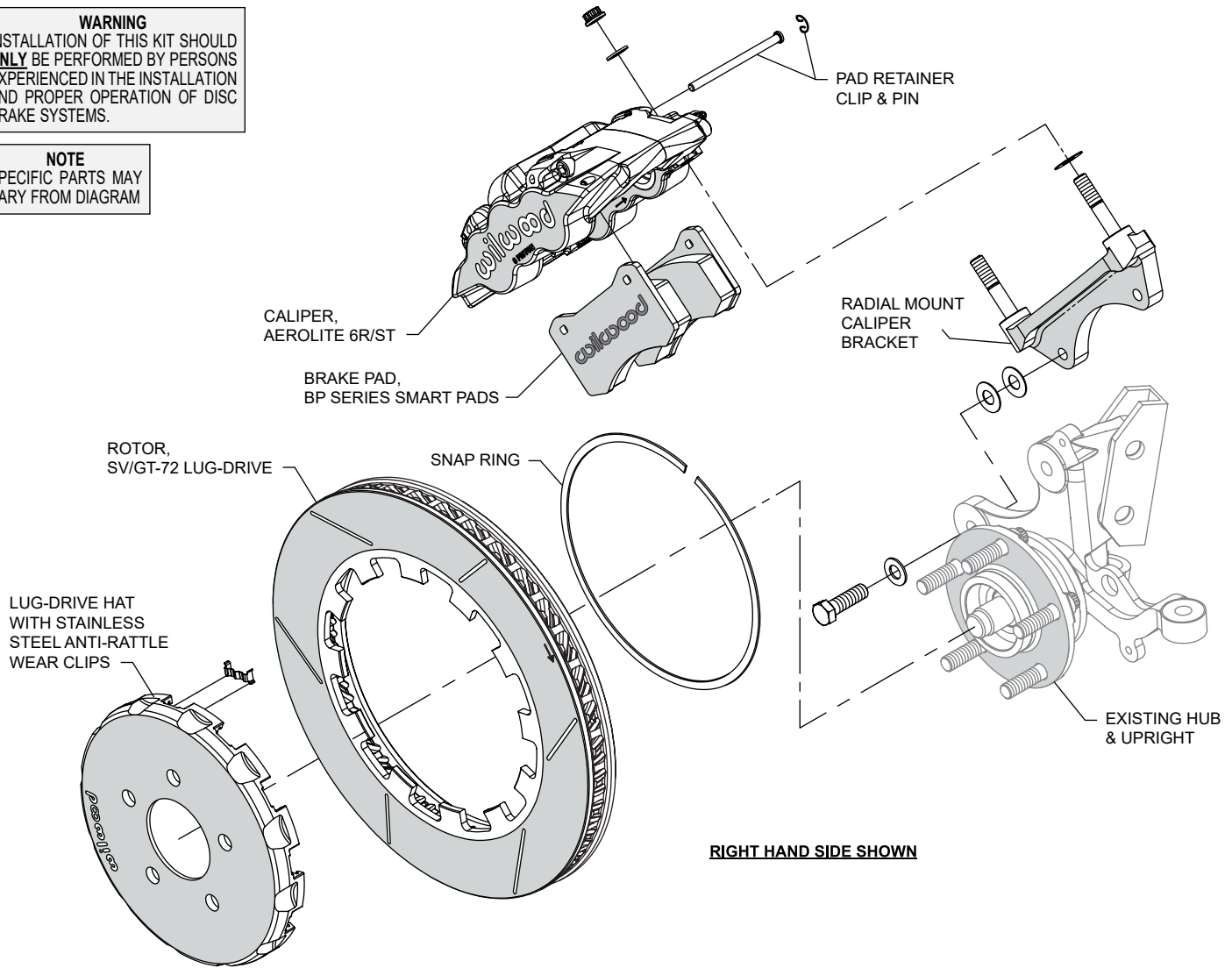
- Eliminates stress and thermal fatigue by isolating the expansion rates of the hat and rotor
- Snap-ring retention eliminates rotor bolts, thread lock, and safety wire; installation takes less than one minute
- **Spec37** alloy, 14.00" SV/GT-72 staggered, directional, 72-vane rotors provide long wear, cooling efficiency, and resists thermal distortion even with repeated heat cycling
- Lug-drive rotors float in replaceable stainless steel inserts within the hard-anodized, forged aluminum rotor hats to eliminate wear common with other floating mounts

INSTALLATION NOTES:

- The SN-95 brake kits are shipped complete with mounting brackets, hardware, and stainless braided flexlines
- Minimum 18" wheels are required

WARNING
INSTALLATION OF THIS KIT SHOULD **ONLY** BE PERFORMED BY PERSONS EXPERIENCED IN THE INSTALLATION AND PROPER OPERATION OF DISC BRAKE SYSTEMS.

NOTE
SPECIFIC PARTS MAY VARY FROM DIAGRAM



ORDERING INFORMATION: PH: 805.388.1188 • FAX: 805.388.4938 • wilwood.com • info@wilwood.com

PART NUMBER	DESCRIPTION	CALIPER TYPE	CALIPER FINISH	ROTOR TYPE	ROTOR SIZE
140-16859	Kit, Front Road Race, Mustang 1994-2004	Aero6R/ST	Type III Mil-Spec Hard Anodized Gray	Spec37 SV/GT-72 Lug-Drive	14.00" x 1.25" (356mm x 32mm)

ACCESSORIES

PART NUMBER	DESCRIPTION
290-6209	EXP600 Plus, DOT 4 Racing Brake Fluid, 16.9oz bottle
290-8478	EXP600 Plus, DOT 4 Racing Brake Fluid, 16.9oz bottle, 6 pack
290-16353	XR Race Only Brake Fluid, 16.9 oz can
290-16354	XR Race Only Brake Fluid, 16.9 oz can, 4 pack

