

REAR TX4R 16" BIG BRAKE KITS for 1999-2018 CHEVY/GMC TRUCKS and SUVs

Trucks require big brakes for towing and hauling. Wilwood's **Tactical Xtreme** kits for 1999-2018 Chevy Silverado 1500, Avalanche, Tahoe and Suburban, and GMC Sierra 1500, Yukon, and Cadillac Escalade are the perfect tool for the job. These big brake kits have more brake torque and thermal capacity for increased stopping power, and add an extra margin of confidence in all types of high-demand highway, towing, hauling, commercial, and off-road applications.

Designed to complement the Wilwood 16" TX6R front big brake kit for GM trucks (P/N [140-13876](#)), and look great in modern 20" or larger open-spoke design wheels.

KIT FEATURES:

- Engineered utilizing motorsports and military experience repeatedly stopping heavy vehicles from high speeds without fading
- Compatible with factory ABS, master cylinder, and computer driver assist systems

CALIPERS: TACTICAL XTREME TX4R

- Rigid, forged aluminum four piston caliper with large piston area and brake pad volume deliver necessary stopping power
- Internally hard anodized for wear resistance, and finished in gloss black or red powder coat

ROTORS: 16" GT or SRP

- Large 16.00 x 1.25" one-piece E-coat disc/drum-style iron alloy with 48 vanes for better air flow and cooling
- Rotors available in GT slotted or SRP drilled and slotted
- Works with factory internal drum parking brake mechanism

BRAKE PADS: SmartPad BP-Q

- **SmartPad BP-Q** ceramic-based, dual-sport compound provides smooth response and medium friction for everyday street or high-demand driving

INSTALLATION PARTS:

- Caliper brackets, and all premium-grade hardware for installation are included



TX4R BIG BRAKE KIT - RED
16" SRP Drilled & Slotted Rotor
P/N [140-16861-DR](#)



TX4R BIG BRAKE KIT - BLACK
16" GT Slotted Rotor
P/N [140-16861](#)

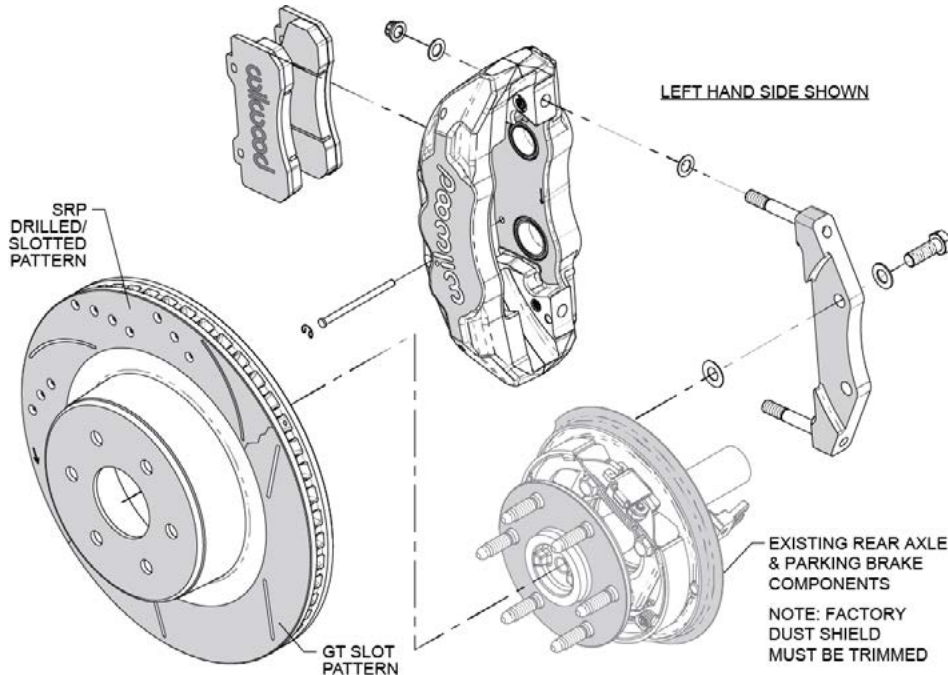
REAR TX4R 16" BIG BRAKE KITS FOR 1999-2018 CHEVY/GMC TRUCKS and SUVs

TYPICAL INSTALLATION CONFIGURATION

WARNING
INSTALLATION OF THIS KIT SHOULD ONLY BE PERFORMED BY PERSONS EXPERIENCED IN THE INSTALLATION AND PROPER OPERATION OF DISC BRAKE SYSTEMS.

NOTE
SPECIFIC PARTS MAY VARY FROM DIAGRAM

24 COLOR OPTIONS AVAILABLE
*Additional charges may apply.



140-16861



140-16861-R



140-16861-D



140-16861-DR

ORDERING INFO: PH: 805.388.1188 • FAX: 805.388.4938 • wilwood.com • info@wilwood.com

PART NUMBER	DESCRIPTION	COLOR	ROTOR TYPE
140-16861	TX4R Truck 4 Piston Big Brake Kit	Black Powder Coat	16.00" x 1.25" GT Slotted
140-16861-D	TX4R Truck 4 Piston Big Brake Kit	Black Powder Coat	16.00" x 1.25" SRP Drilled & Slotted
140-16861-DR	TX4R Truck 4 Piston Big Brake Kit	Red Powder Coat	16.00" x 1.25" SRP Drilled & Slotted
140-16861-R	TX4R Truck 4 Piston Big Brake Kit	Red Powder Coat	16.00" x 1.25" GT Slotted