

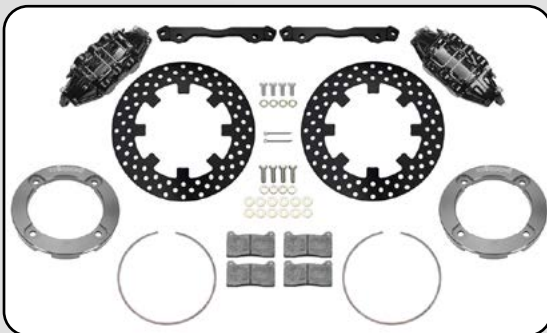
Big Brake Kits for 2019-22 Honda Talon 1000 UTVs

Wilwood is excited to offer premium performance brake kits for the Honda Talon 1000, engineered and manufactured in the US with larger rotors and upgraded calipers for sporty side-by-side UTVs. Matched kits employ fixed-mount six piston front and four piston rear calipers, with floating rotors to improve braking on these high-powered machines. Kits fit most 15" and larger wheels.

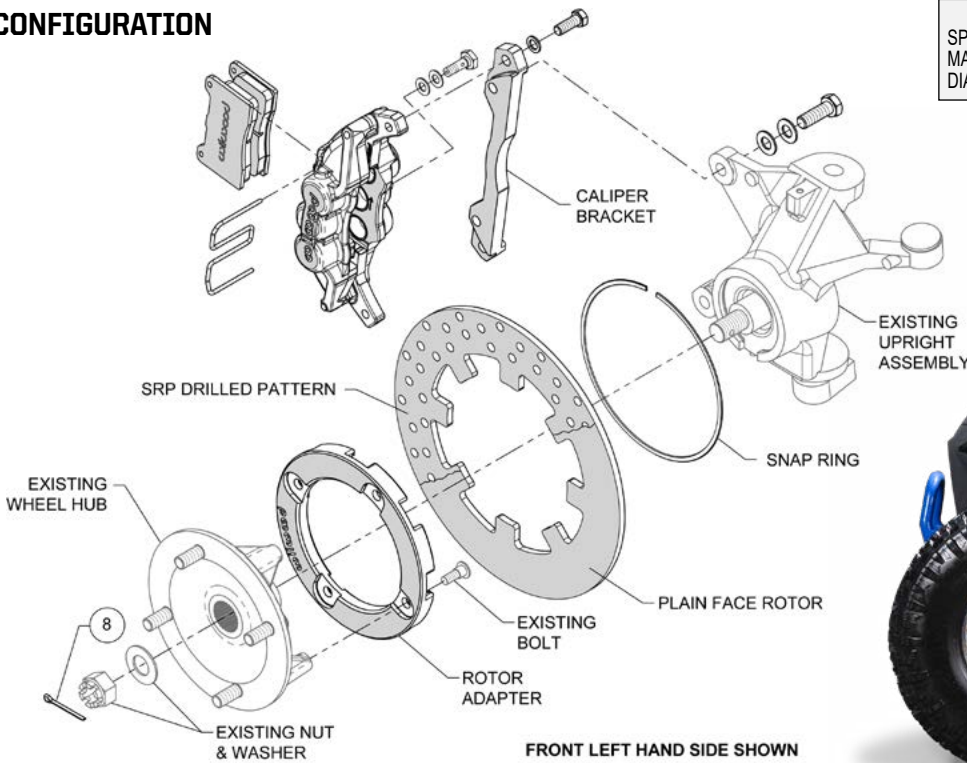
Our UTV kits utilize the same engineering and manufacturing technology Wilwood uses on brakes for race cars, trucks, and armored military vehicles, scaled down appropriately for side-by-side rigs.

KIT FEATURES:

- Larger, thicker, dynamically mounted 11.25" x 0.25" steel rotors eliminate knockback and reduce thermal distortion; available plain face or drilled
- Rigid, net forged aluminum, opposed piston calipers with strengthened body reduces deflection and increase clamping efficiency
- Differential bore caliper pistons provide even engagement to increase pad life and maintain proper front/rear bias
- Calipers offered in gloss red and black powder coat, or 22 additional caliper color options (additional charges apply)
- Standard kits come complete with fade-resistant **BP-10** brake pads, banjo bolt and crush washers to connect to factory lines
- Race-spec kits use Type III hard anodized calipers and aggressive, fade-free **PolyMatrix E** brake pads
- Fully compatible with factory master cylinder, ABS, and pedals
- Kits fit most 15" and larger wheels



TYPICAL INSTALLATION CONFIGURATION



FRONT PLAIN

REAR PLAIN



FRONT DRILLED

REAR DRILLED



FRONT RACE

REAR RACE

ORDERING INFO: PH: 805.388.1188 • FAX: 805.388.4938 • wilwood.com • info@wilwood.com

BLACK	RED	DESCRIPTION	CALIPER TYPE	ROTOR TYPE	ROTOR SIZE
140-16626	140-16626-R	Kit, Front UTV6, HONDA TALON 1000, 2019-22	UTV 6 Piston	Plain Face Steel	11.25" x 0.25"
140-16626-D	140-16626-DR	Kit, Front UTV6, HONDA TALON 1000, 2019-22	UTV 6 Piston	Drilled Steel	11.25" x 0.25"
140-16627	140-16627-R	Kit, Rear UTV4, HONDA TALON 1000, 2019-22	UTV 4 Piston	Plain Face Steel	11.25" x 0.25"
140-16627-D	140-16627-DR	Kit, Rear UTV4, HONDA TALON 1000, 2019-22	UTV 4 Piston	Drilled Steel	11.25" x 0.25"
TYPE-III HARD ANODIZED		RACE SPEC			
140-17038		Kit, Front UTV6, HONDA TALON 1000, 2019-22	Race UTV 6 Piston	Plain Face Steel	11.25" x 0.25"
140-17039		Kit, Rear UTV4, HONDA TALON 1000, 2019-22	Race UTV 4 Piston	Plain Face Steel	11.25" x 0.25"