

AERO4R / MC4 Rear Kit For Custom Chassis Using C7 CORVETTE FRONT SPINDLE

GM built several generations of Corvettes using front spindles in the rear, and Roadster Shop has followed suit with their Fast Track IRS. Wilwood Disc Brakes engineered this Aerolite brake kit specifically for custom builders using C7 Corvette front spindles as part of an independent rear suspension.

Engineered explicitly for rear use with caliper pistons sized to provide proper front-to-rear bias. The kit also includes our lightweight MC4 mechanical parking brake caliper.



KIT FEATURES:

- Refined through modern engineering, manufacturing, and motorsports competition for confidence-inspiring braking
- Optimized for Roadster Shop Fast Track IRS and compatible with traditional parking brake lever or pedal

ROTORS: 14" x 1.10" SPEC 37 IRON ALLOY

- Vented 72 curved vane rotors in GT slotted, or SRP drilled and slotted with black E-coat applied
- Weight-saving forged aluminum mounting hat

CALIPERS: AEROLITE AERO4R

- Caliper pistons sized specifically for proper front-to-rear brake bias
- Rigid, forged aluminum four piston calipers with a central stiffening bridge that virtually eliminates deflection
- Cast stainless steel pistons slow heat transfer, and resist corrosion
- Gloss black or red powder coat over durable Type-III hard anodized base with 22 additional color choices available (additional charges apply)

BRAKE PADS: BP-10

- BP-10 street performance pads (other compounds available)

PARKING BRAKE: MC4

- Simple, reliable mechanical cable design with lightweight forged and die-cast aluminum body

INSTALLATION PARTS:

- Forged aluminum caliper brackets and all premium-grade hardware for installation are included



AERO4R / MC4 Rear Big Brake Kits

P/N: [140-17142](#) GT Slotted Rotor, 14.00" x 1.10"

MC4 MECHANICAL PARKING BRAKE CALIPERS

[FL305](#)

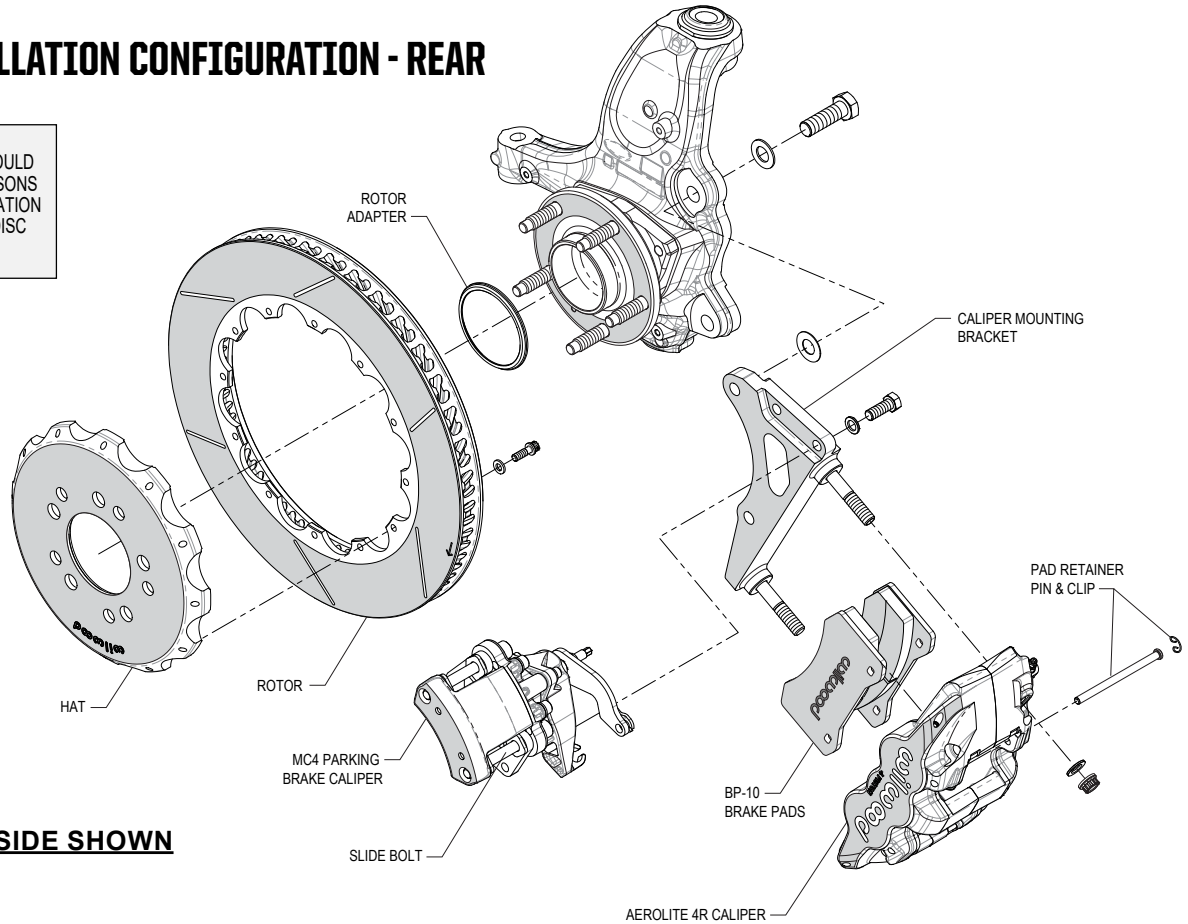


ELECTRIC PARKING
BRAKE (EPB) KITS
ALSO AVAILABLE
[FL567](#)

TYPICAL INSTALLATION CONFIGURATION - REAR

WARNING
INSTALLATION OF THIS KIT SHOULD **ONLY** BE PERFORMED BY PERSONS EXPERIENCED IN THE INSTALLATION AND PROPER OPERATION OF DISC BRAKE SYSTEMS.

NOTE
SPECIFIC PARTS MAY VARY FROM DIAGRAM



RIGHT HAND SIDE SHOWN



140-17142



140-17142-R



140-17142-D



140-17142-DR

ORDERING INFO: PH: 805.388.1188 • FAX: 805.388.4938 • wilwood.com • info@wilwood.com

BLACK	RED	DESCRIPTION	ROTOR SIZE	ROTOR TYPE
140-17142	140-17142-R	AERO4R Rear Kit w MC4 Parking Brake	14.00" x 1.10"	GT Slotted
140-17142-D	140-17142-DR	AERO4R Rear Kit w MC4 Parking Brake	14.00" x 1.10"	SRP Drilled/Slotted