

STREET & TRACK **DYNAPRO 4R** FOUR PISTON **MAZDA MX-5 MIATA ND** BRAKE KITS

The 2016-23 Mazda MX-5 Miata ND is a fun, lightweight sports car, but the factory brakes leave room for improvement. Wilwood's motorsports-proven **Dynapro** forged aluminum, four piston radial mount calipers deliver improved clamping and a more consistent pedal feel. The 11.00" x 0.81" (280mm x 21mm) **Spec37** alloy rotors resist thermal distortion and feature 72 straight cooling vanes. Front brake kits are available in street or race spec.

KIT FEATURES:

- Complete bolt-on installation using factory hubs and spindles; no modifications are required
- Compatible with stock master cylinder, rear brakes, and computer system

CALIPERS: Dynapro NDP4R

- Rigid forged billet aluminum Narrow Dynapro four piston calipers with Type III Mil-Spec hard-anodized surfaces resist bore wear and abrasion
- Street kits available in gloss red or black powder coat, or 22 additional colors (extra charges apply)

ROTORS: **Spec37** GT-72 STRAIGHT VANE

- Long-wearing proprietary iron alloy 11.00" x 0.81" (280mm x 21mm) GT slotted rotors with 72 straight cooling vanes
- Forged aluminum mounting hat reduces weight
- Race-spec kits provide full isolation of thermal stresses by dynamically mounting the floating rotor to the hat

BRAKE PADS: STREET or RACE SPEC

- Street performance BP-10 SmartPads provide good response at low temperatures and resist fade as heat increases
- Race-spec BP-40 SmartPads provide aggressive engagement and maintain friction even at temperatures over 1000°F
- Other compounds available for your application

INSTALLATION PARTS:

- Includes high-performance braided stainless Flexlines
- Forged aluminum caliper brackets and all premium-grade installation hardware also included



Dynapro Front Brake Kit - Street
P/N [140-17363-R](#)



Dynapro Front Brake Kit - Race
P/N [140-17362](#)

STREET & TRACK **DYNAPRO 4R** FOUR PISTON **MAZDA MX-5 MIATA ND** BRAKE KITS



P/N [140-17363](#)

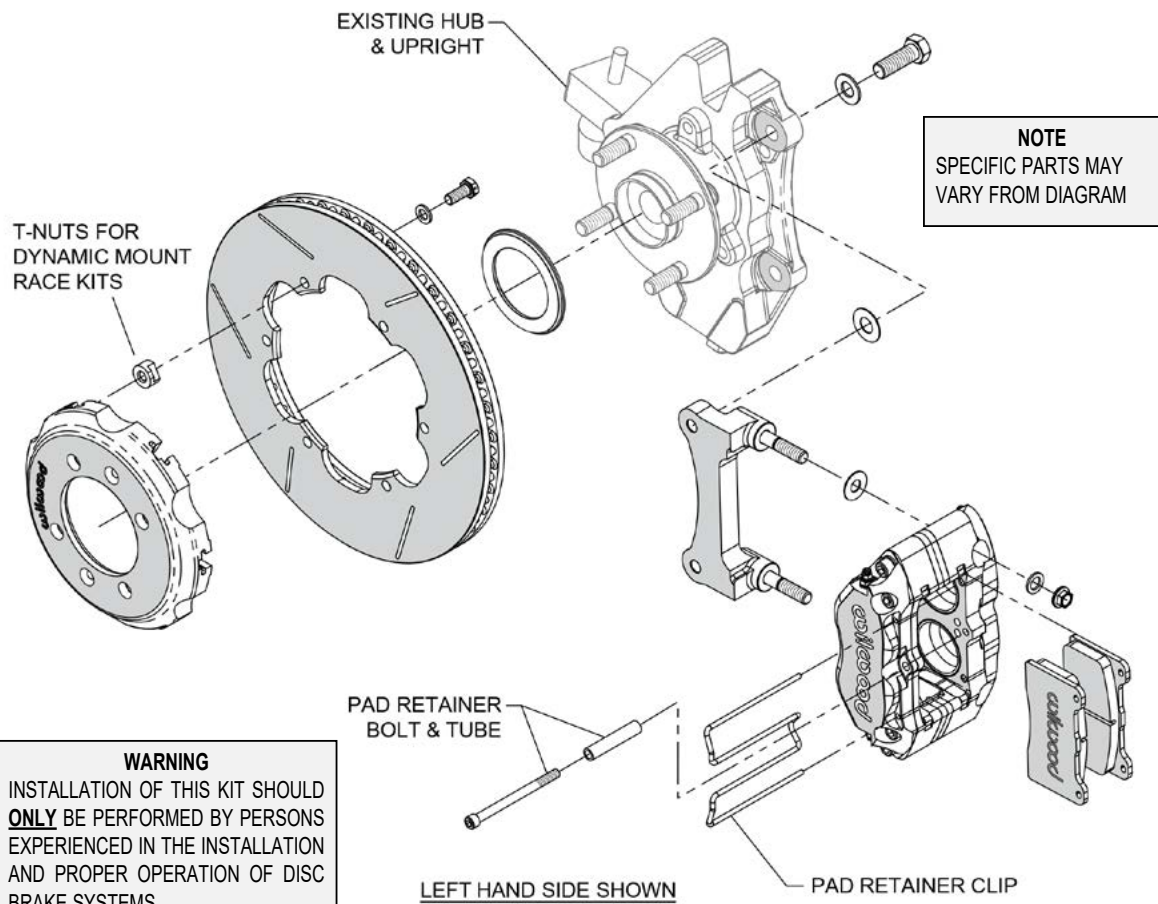


P/N [140-17363-R](#)



P/N [140-17362](#)

Typical Installation Diagram



ORDERING INFORMATION: PH: 805.388.1188 • FAX: 805.388.4938 • wilwood.com • info@wilwood.com

PART NUMBER	DESCRIPTION	CALIPER TYPE	CALIPER FINISH	ROTOR TYPE	ROTOR SIZE
140-17362	Race Kit, Dynapro Front, MX-5 Miata ND, 2016-23	NDPR 4 Piston	Type-III Hard Ano	Spec37 GT Slotted 72 Vane Dynamic Mount	11.00" x 0.81" (280mm x 21mm)
140-17363	Street Kit, Dynapro Front, MX-5 Miata ND, 2016-23	NDPR 4 Piston	Gloss Black Powder Coat	Spec37 GT Slotted 72 Vane	11.00" x 0.81" (280mm x 21mm)
140-17363-R	Street Kit, Dynapro Front, MX-5 Miata ND, 2016-23	NDPR 4 Piston	Gloss Red Powder Coat	Spec37 GT Slotted 72 Vane	11.00" x 0.81" (280mm x 21mm)