

Racing Application **Superlite** **Narrow Caliper** for **.38"** Wide Rotors

Wilwood Superlite FNSL6R/ST radial mount calipers combine state-of-the-art forged caliper technology with track-proven performance options are now available for narrow rotor widths for sprint cars with titanium rotors, short-course off-road, and drifting applications. Premium grade billet, stress flow forging, and a highly efficient overall design make the FNSL6R/ST as strong as any in its category, including one-piece calipers.

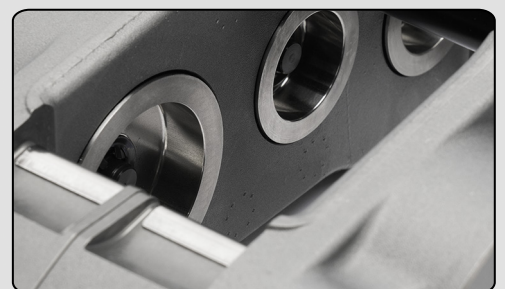
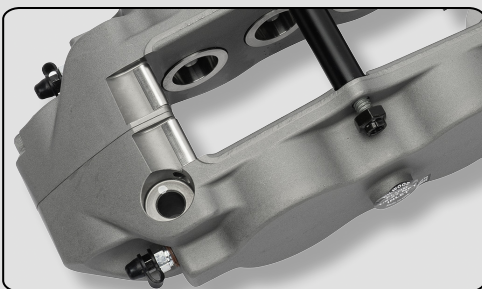
Thermlock pistons provide maximum heat control in extreme, sustained high temperature competition.



FEATURES:

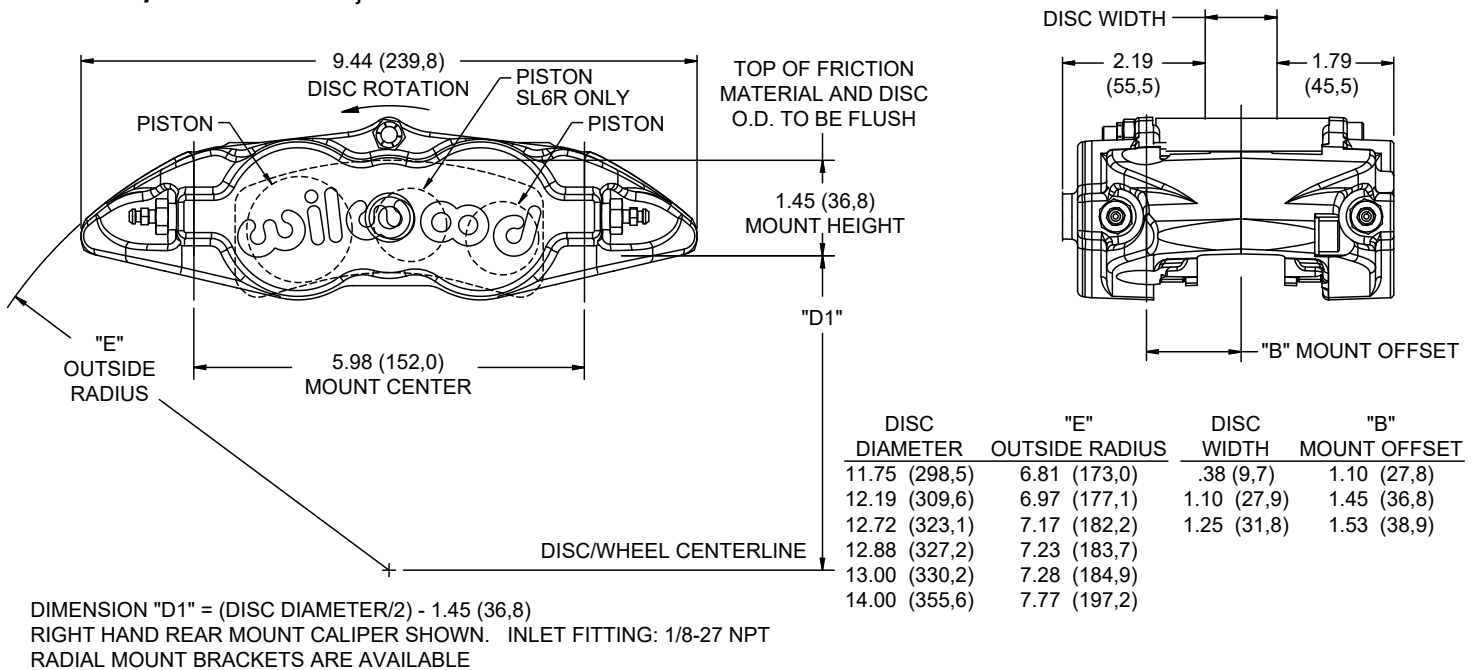
- The **NEW .38"** rotor width application is the smallest yet in the Narrow Superlite series
- Stress-flow, high-strength forged aluminum **Superlite** caliper body provides major clamping force without excessive weight
- Differential bore, 1.62" and two 1.12" diameter six piston **FNSL6R/ST** caliper provides progressive engagement and increased brake pad life
- **"ST"** designates Wilwood's exclusive **Thermlock®** piston technology minimizing heat transfer to seals and brake fluid
- Caliper is **Type III** hard anodized with tough ceramic-oxide to resist wear inside and out while protecting against corrosion

FNSL6R/ST Thermlock®
P/N: [120-17507](#) & [120-17508](#)

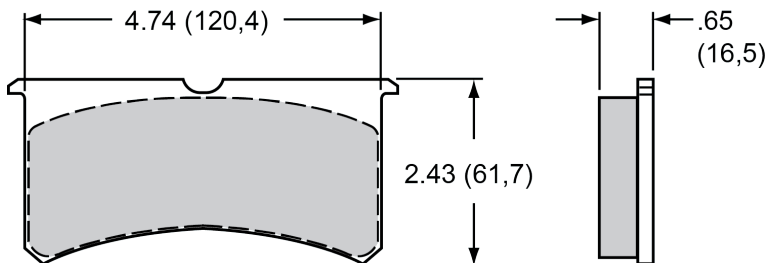


Racing Application **Superlite** **Narrow Caliper** for **.38"** Wide Rotors

FNSL6R/ST CALIPER, MOUNTING DIMENSIONS:



FNSL6R/ST CALIPER, TYPE 7416 PAD DIMENSIONS AND ORDERING INFORMATION:



AXLE SET P/N	PAD TYPE	COMPOUND
150-Q-7416K	7416 Q	BP-Q SmartPad
150-8855K	7416 10	BP-10 SmartPad
150-20-7416K	7416 20	BP-20 SmartPad
150-28-7416K	7416 28	BP-28 SmartPad
150-12244K	7416 40	BP-40 SmartPad

ORDERING INFO: PH: 805.388.1188 • FAX: 805.388.4938 • wilwood.com • info@wilwood.com

PART NUMBER	DESCRIPTION	ORIENTATION	PISTON DIAMETERS	ROTOR WIDTH	CALIPER FINISH
120-17507	FNSL6R/ST Race Caliper	Right Hand	1.62" / 1.12" / 1.12" Thermlock®	0.38"	Type III Hard Ano
120-17508	FNSL6R/ST Race Caliper	Left Hand	1.62" / 1.12" / 1.12" Thermlock®	0.38"	Type III Hard Ano