

GM TRUCK / SUV 1500 SERIES BIG BRAKE FRONT HAT KIT

Models Covered:

GM Truck / SUV 1500 Series

1999 - Present

Kit Features:

- Full bolt-on installation for all models
- Compatible with OE master cylinder output and ABS
- Check custom wheel clearances against minimum internal dimensions as illustrated on page 2

Component Features:

TC Six Piston Calipers

- The unique 6-piston differential bore design provides balanced pad loading for even wear, extending pad and rotor life.
- FEA designed, forged billet aluminum bodies reduce structural deflection and the subsequent increase in fluid volume displacement that occurs with high pressure from power brake boosters under hard braking with OE calipers. Pedal travel, system response, and pad wear characteristics are dramatically improved.
- Six stainless steel pistons reduce heat transfer and resist corrosion for cooler running and extended service life from the seals, fluid, and caliper bores.
- Spring loaded stainless steel SRS bridge plates reduce noise by damping engagement harmonics and stopping pad rattle. Bridge wear from gouging at the pad trailing edge is also eliminated.
- Two top bridge bolts provide added strength against deflection under load and secure retention of the brake pads. The top loaded pads can be easily accessed for service without the need to dismount the caliper.



1500 Series Big Brake Front Kit with SRP Rotor
Download high resolution photo - [click here](#)

SRP or GT Series 16" Directional Staggered Vane Rotors

- Big diameter rotors provide increased stopping leverage and high tech style inside custom big wheel and tire packages.
- Directional staggered cooling vanes and a full 1.38" wide profile provide maximum cooling efficiency.
- Premium grade long-grain carbon iron delivers the highest resistance to thermal distortion and fatigue.
- SRP Series rotors are e-coated to resist corrosion and feature an engineered directional drill and slot pattern for an aggressive high tech appearance inside the wheel. The holes and slots enhance pad performance by reducing pad glazing and dispersing the gasses and some of heat generated during braking.
- GT Series rotors are competition prepared with asymmetrical face slotting, full detail machining, and individual dynamic balancing. This non-drilled version uses the additional mass to deliver improved stability in sustained high temperature applications.

Forged Aluminum Rotor Mounting Hats

- Premium grade alloy forged aluminum hats are lightweight and provide sturdy mounting of the vented iron rotors over the OE hub assembly.
- High luster black anodized finish resists corrosion and enhances the custom appearance inside the wheel.

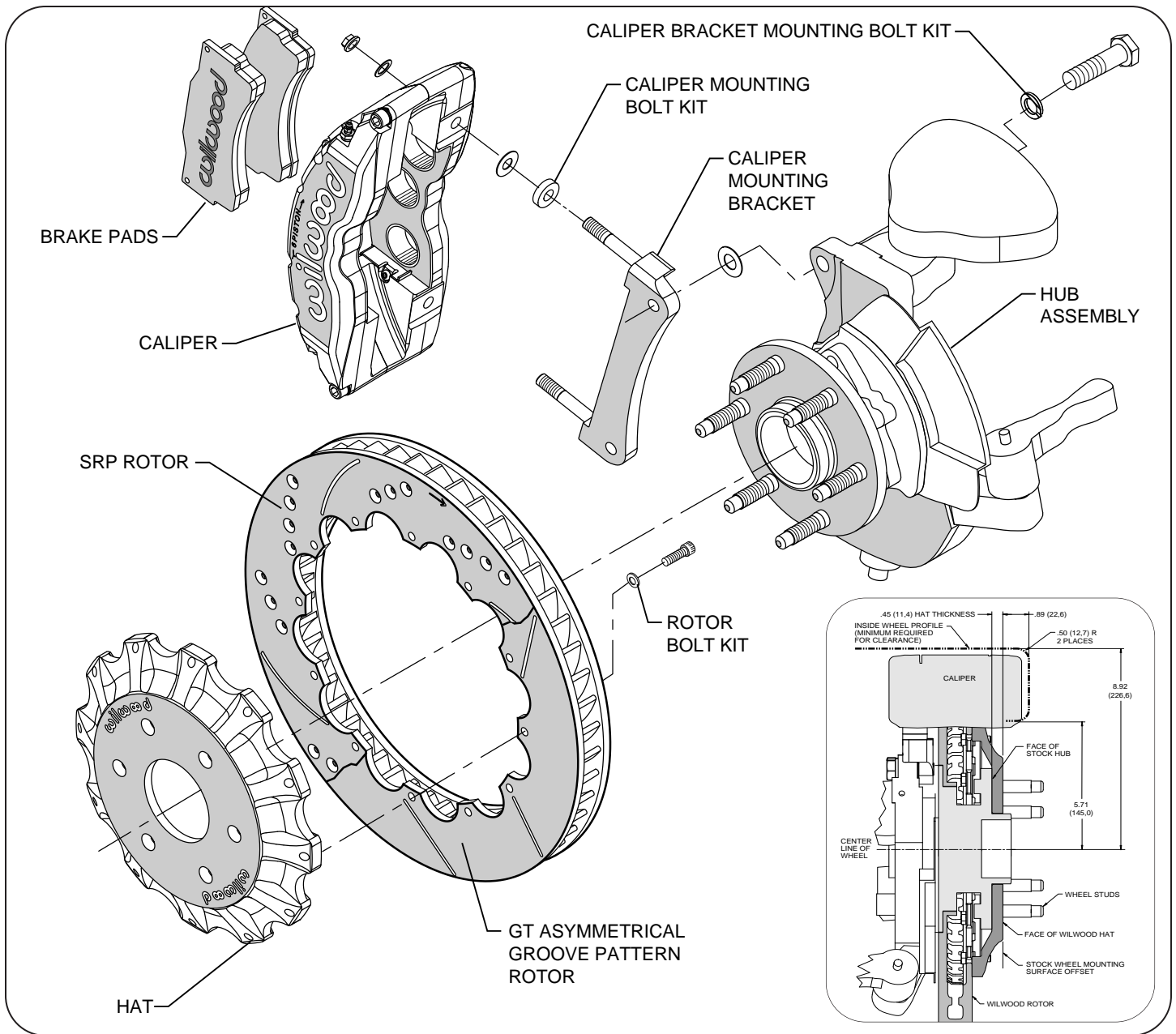
Wilwood "Smart Pads"

- Each kit includes BP-10 compound "Smart Pads". BP-10 is a unique metallic composite compound that delivers quiet, low dust performance, but with the improve response, friction, and temperature range of a semi-metallic style pad.

Mounting Hardware and Plumbing

- Steel radial mount caliper brackets are CNC machined for precise fit and include premium grade studs, nuts, bolts, and alignment shims for a accurate and secure installation.
- Optional flex line kits include stainless steel reinforced hoses with machine crimped ends and the fittings necessary to connect the calipers to the OE brake line fitting at the chassis. Flex line kits must be ordered separately.

Please check the diagram on the back of this page for minimum inside wheel clearance requirements



Typical Installation Diagram, Major Components Identified. Minimum Wheel Fit Dimensions Shown Inset

ORDERING INFORMATION: BRAKE AND FLEX LINE KITS:

MAKE / MODEL	YEAR	KIT PART NUMBERS		FLEX LINE KITS
		GT ROTOR KIT	SRP ROTOR KIT	
Cadillac Escalade, EXT	2002-2004	140-8992	140-8992-D	220-8998
Cadillac Escalade ESV	2003-2004	140-8992	140-8992-D	220-8998
Chevrolet Avalanche 1500	2002-2004	140-8992	140-8992-D	220-8998
Chevrolet Silverado 1500, Non Crew Cab	1999-2004	140-8992	140-8992-D	220-8998
Chevrolet Suburban 1500	2000-2004	140-8992	140-8992-D	220-8998
Chevrolet Tahoe	2001-2004	140-8992	140-8992-D	220-8998
Chevrolet Tahoe, Silverado Style	2000	140-8992	140-8992-D	220-8998
GMC Sierra 1500, Non Crew Cab	1999-2004	140-8992	140-8992-D	220-8998
GMC Yukon	2001-2004	140-8992	140-8992-D	220-8998
GMC Yukon (Except Denali)	2000	140-8992	140-8992-D	220-8998
GMC Yukon XL1500	2000-2004	140-8992	140-8992-D	220-8998

ORDERING INFORMATION, USER SERVICEABLE COMPONENTS:

PART NUMBER	CALIPER	GT ROTOR-R/L	SRP ROTOR-R/L	AXLE SET PADS	HAT	ROTOR BOLT KIT	BRACKET KIT (EA)
140-8992	120-8907/08-RS	160-8953/54	—	150-9118K	170-8960	230-9068	250-9065
140-8992-D	120-8907/08-RS	—	160-8955/56	150-9118K	170-8960	230-9068	250-9065