



4700 Calle Bolero
Camarillo, CA 93012

SC10 2-PISTON FLOATING CALIPER

Part # 120-11644

Designed, engineered and manufactured in the U.S.A., this floating two-piston caliper is a rigid compact answer to the braking needs of recreational, agricultural, and industrial vehicles.

Features of this attractive dual piston caliper include a newly designed body and 1.06" aluminum pistons. The symmetrical design allows for versatility in mounting positions, both front-to-rear and left-to-right. The swaged bracket design incorporates corrosion resistant slide pins into one fixed assembly mounted on quad o-rings in the ears of the body for low drag float and optimum stability.

Caliper Features:

- Compact, low profile sliding mount caliper
- High-strength forged aluminum outboard anvil
- Two 1.06" aluminum pistons
- Increased pad area and volume with noise cancelling shields
- Greater heat dissipation
- Corrosion resistant hardware
- M10 x 1.00" inlets with serviceable bleedscrew
- Minimum/maximum rotor diameter:
6.50" - 9.00" (165,1 - 228,6 mm)
- Minimum/maximum rotor thickness:
.15" - .25" (3,8 - 6,4 mm)
- Brake pads and bracket included



Outboard View



Inboard View

Place Your
Order Today!
Call 805-388-1188

Ordering Information:

Bore Size*		Disc Width		Mounting		Part Number
1.06"	26,9 mm	.15" - .25"	3,8 - 6,4 mm	4.30"	109,2 mm	120-11644

*Other bore sizes available



www.wilwood.com

Braking Solutions for a World in Motion

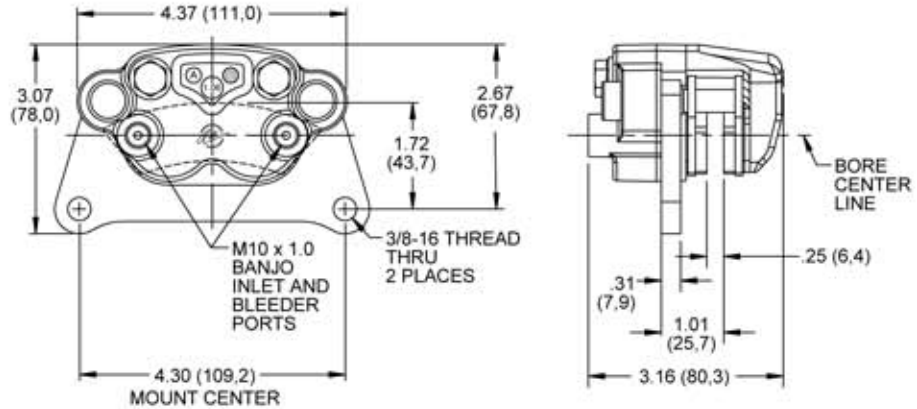


4700 Calle Bolero
Camarillo, CA 93012

SC10 2-PISTON FLOATING CALIPER

Part # 120-11644

SC10 2-Piston Floating Caliper, Mounting Dimensions:



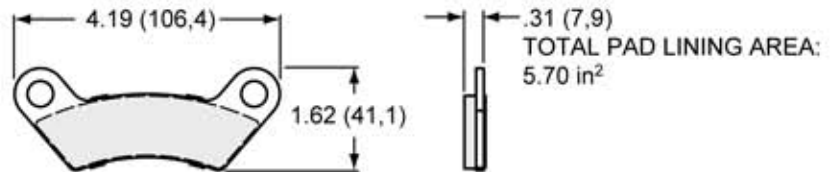
Caliper	Standard Inlet	Nominal Piston Bore	Standard Inlet	Total Piston Area	Recommended Operating Pressure
SC10	M10 x 1.0 THD	1.06 (26,9)	M10 x 1.0 THD	1.75 in ²	1500 psi max.

Fluid Type	Weight (with Metal Pads and Bracket)	Mounting Positions
Dot 3, 4, 5, 5.1	2.25 lbs	Left-hand or right-hand, 3 o'clock or 9 o'clock recommended

Part #	Description
220-5933	Bleed Screw

Place Your
Order Today!
Call 805-388-1188

SC10 2-Piston Floating Caliper Pad, Pad Dimensions and Ordering Information:



Part #	Pad Description
150-11648	Sintered metal with noise shim for gray iron rotors
TBD	Sintered metal with noise shim for steel and ductile iron rotors
TBD	Organic/Black for ATV brake rotor types

www.wilwood.com
Braking Solutions for a World in Motion