



FORD MUSTANG • 2015-PRESENT FRONT AEROLITE 6R 14/15" BRAKE KITS

Aerolite 6R Front Brake kits for the 2015 Ford Mustang combine cutting edge technology with high-tech styling to deliver track proven endurance and big brake performance for the street, track, or show.

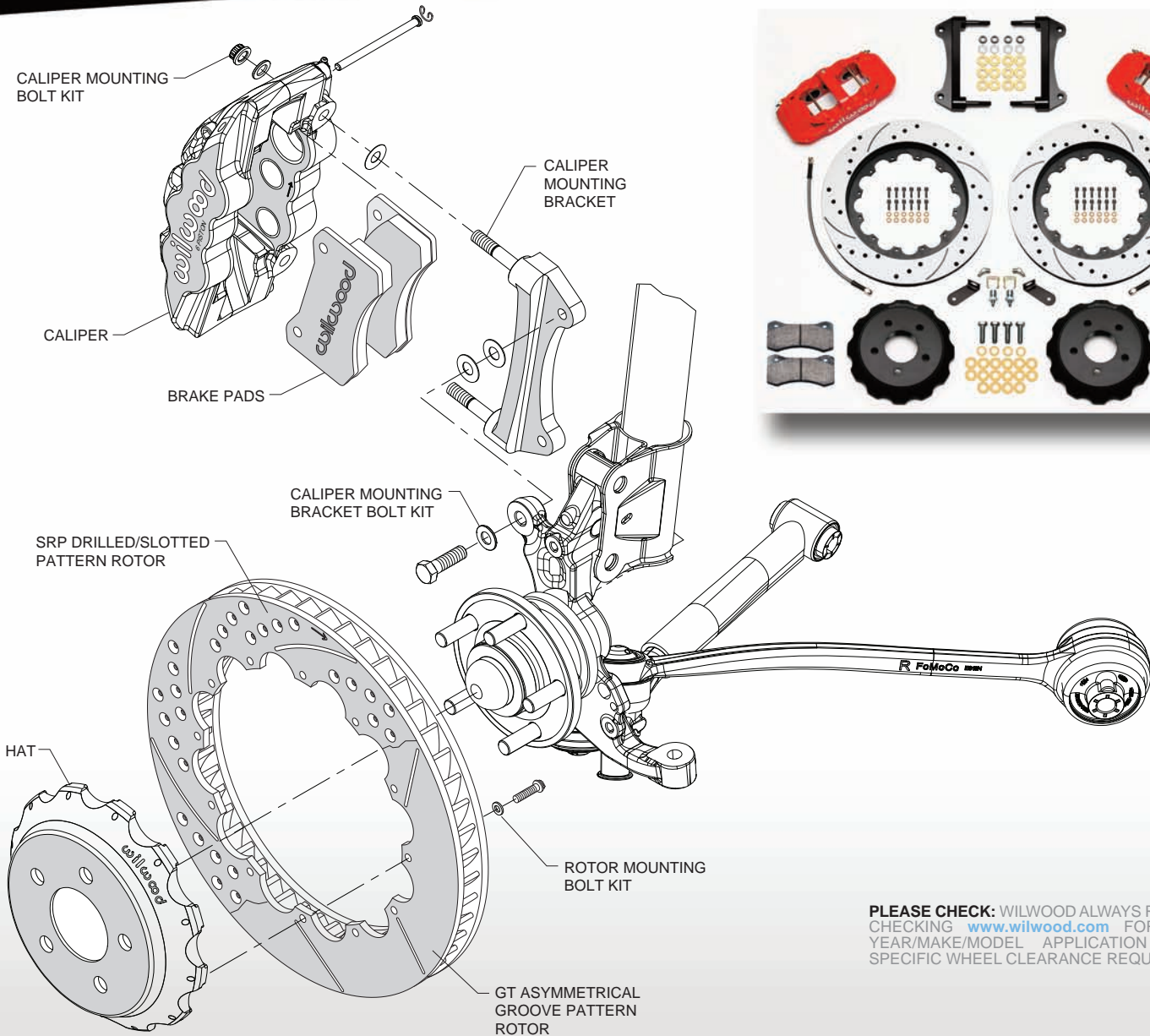


Kit Features



- Aerolite six piston radial mount forged aluminum calipers
- Choice of GT or SRP directional vane **Spec37** alloy rotors in 14" or 15" diameters ⁽¹⁾
- High response, fade resistant BP-10 compound **SmartPads**
- Differential bore stainless steel pistons volume matched to OE master cylinder output
- Retains all ABS functions and electronic controls
- Stainless steel braided DOT compliant flexlines included
- Calipers available in gloss red and black powder coat or nickel plate Quick-Silver finish
- Thermlock® pistons and race compound pads available for dedicated track vehicles
- Fully bolt-on installation

(1) Wilwood always recommends checking www.wilwood.com for complete year/make/model application data and specific wheel clearance requirements



PLEASE CHECK: WILWOOD ALWAYS RECOMMENDS CHECKING www.wilwood.com FOR COMPLETE YEAR/MAKE/MODEL APPLICATION DATA AND SPECIFIC WHEEL CLEARANCE REQUIREMENTS.

ORDERING INFORMATION: Complete Front Brake Kits for 2015-Present Ford Mustang

PART NUMBER	DESCRIPTION	CALIPER FINISH
140-13886	Aerolite 6R Calipers, 14.00" Spec37 GT Competition Series Rotors	Black Powder Coat
140-13886-D	Aerolite 6R Calipers, 14.00" Spec37 SRP Drilled and Slotted Rotors	Black Powder Coat
140-13886-R	Aerolite 6R Calipers, 14.00" Spec37 GT Competition Series Rotors	Red Powder Coat
140-13886-DR	Aerolite 6R Calipers, 14.00" Spec37 SRP Drilled and Slotted Rotors	Red Powder Coat
140-13886-N	Aerolite 6R Calipers, 14.00" Spec37 GT Competition Series Rotors	Quick-Silver Nickel
140-13886-DN	Aerolite 6R Calipers, 14.00" Spec37 SRP Drilled and Slotted Rotors	Quick-Silver Nickel
140-13887	Aerolite 6R Calipers, 15.00" Spec37 GT Competition Series Rotors	Black Powder Coat
140-13887-D	Aerolite 6R Calipers, 15.00" Spec37 SRP Drilled and Slotted Rotors	Black Powder Coat
140-13887-R	Aerolite 6R Calipers, 15.00" Spec37 GT Competition Series Rotors	Red Powder Coat
140-13887-DR	Aerolite 6R Calipers, 15.00" Spec37 SRP Drilled and Slotted Rotors	Red Powder Coat
140-13887-N	Aerolite 6R Calipers, 15.00" Spec37 GT Competition Series Rotors	Quick-Silver Nickel
140-13887-DN	Aerolite 6R Calipers, 15.00" Spec37 SRP Drilled and Slotted Rotors	Quick-Silver Nickel