



# FORD F-250/F-350 4WD • 2005-2012 TACTICAL XTREME TX6R BIG BRAKE FRONT KITS

*Tactical Xtreme TX6R brake systems for the Ford F-250 and F-350 single rear wheel, 4-wheel drive Super Duty trucks, provide unmatched capacity and durability for all types of high demand highway, towing, hauling, off-road and commercial heavy load braking applications.*

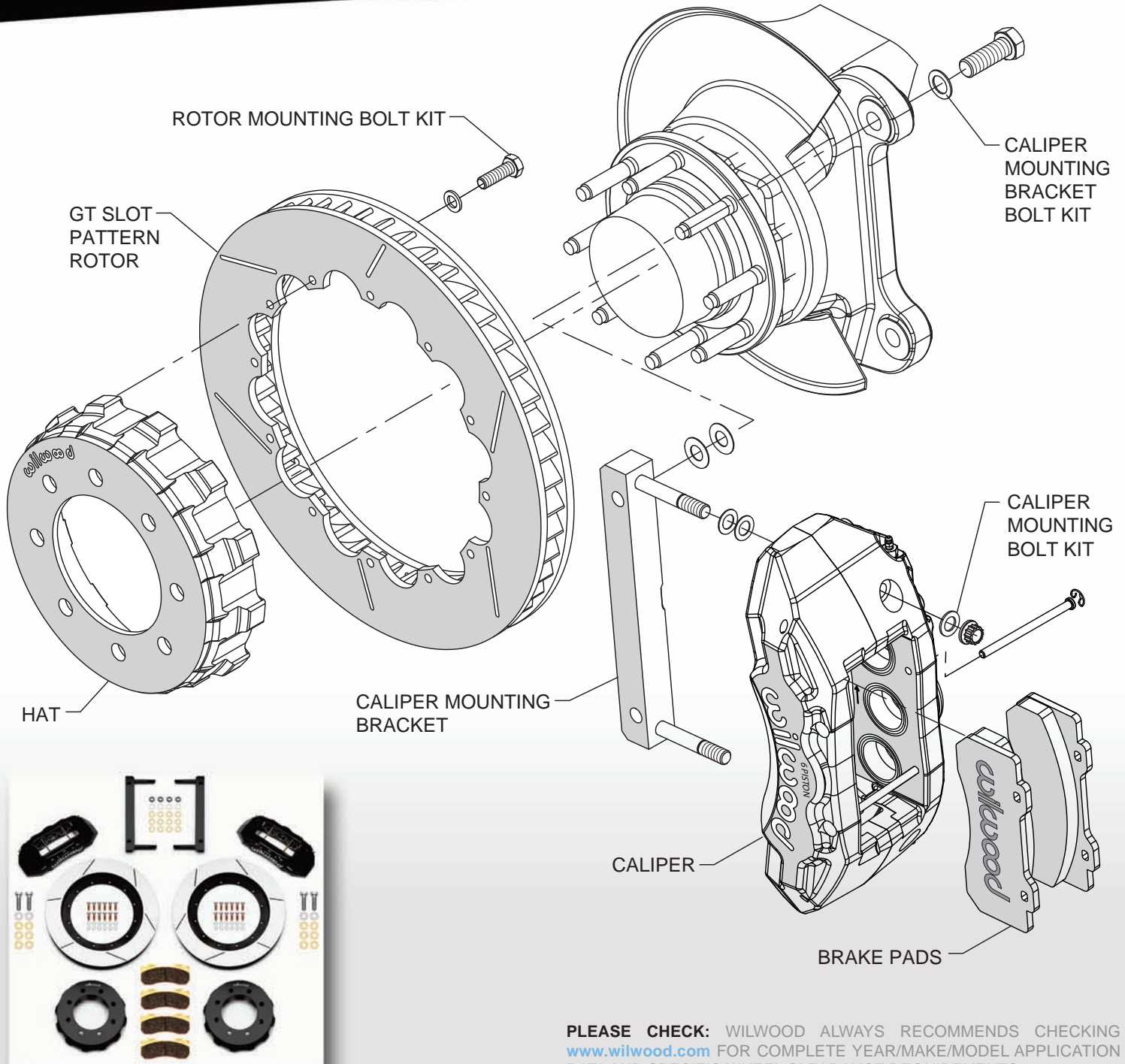


## Kit Features



- Based on systems originally developed for tactical and armored vehicle applications
- Forged aluminum calipers with six stainless steel pistons and high-temp internal bore seals
- Big diameter 16.00" by 1.50" thick extreme duty **Spec37** alloy directional vane rotors
- BP-20 metallic-composite formula high response, driver and rotor friendly **SmartPads**
- Engineered specific for full compatibility with the OE hydraulic system and ABS
- Calipers available with red or black powder coat, or clear anodized finish

Note: Check [www.wilwood.com](http://www.wilwood.com) for complete year/make/model application data and specific wheel clearance requirements



**PLEASE CHECK:** WILWOOD ALWAYS RECOMMENDS CHECKING [www.wilwood.com](http://www.wilwood.com) FOR COMPLETE YEAR/MAKE/MODEL APPLICATION DATA AND SPECIFIC WHEEL CLEARANCE REQUIREMENTS.

## ORDERING INFORMATION: Front Brake Kits for 2005-2012 Ford F-250/F-350 Super Duty, SRW/4WD

PART NUMBER	DESCRIPTION	CALIPER FINISH
<a href="#">140-13867</a>	Tactical Xtreme TX6R Caliper, 16.00" <b>Spec37</b> GT Competition Series Rotor	Black Powder Coat
<a href="#">140-13867-R</a>	Tactical Xtreme TX6R Caliper, 16.00" <b>Spec37</b> GT Competition Series Rotor	Red Powder Coat
<a href="#">140-13867-C</a>	Tactical Xtreme TX6R Caliper, 16.00" <b>Spec37</b> GT Competition Series Rotor	Clear Anodized
<a href="#">220-14111</a>	Flexline Kit, 2005-2010 Models, Stainless Steel Braided, DOT Compliant	—
<a href="#">220-14112</a>	Flexline Kit, 2011-2012 Models, Stainless Steel Braided, DOT Compliant	—