

DISC BRAKES
wilwood

FORD F-150 4WD TRUCK

2004 - 2008

**TACTICAL XTREME TX6R
BIG BRAKE FRONT KITS**



TACTICAL XTREME TX6R

Front brake kits for Ford F-150 four-wheel drive trucks provide unmatched capacity and durability for all types of high-demand highway, towing, hauling, off-road and extreme-duty applications.

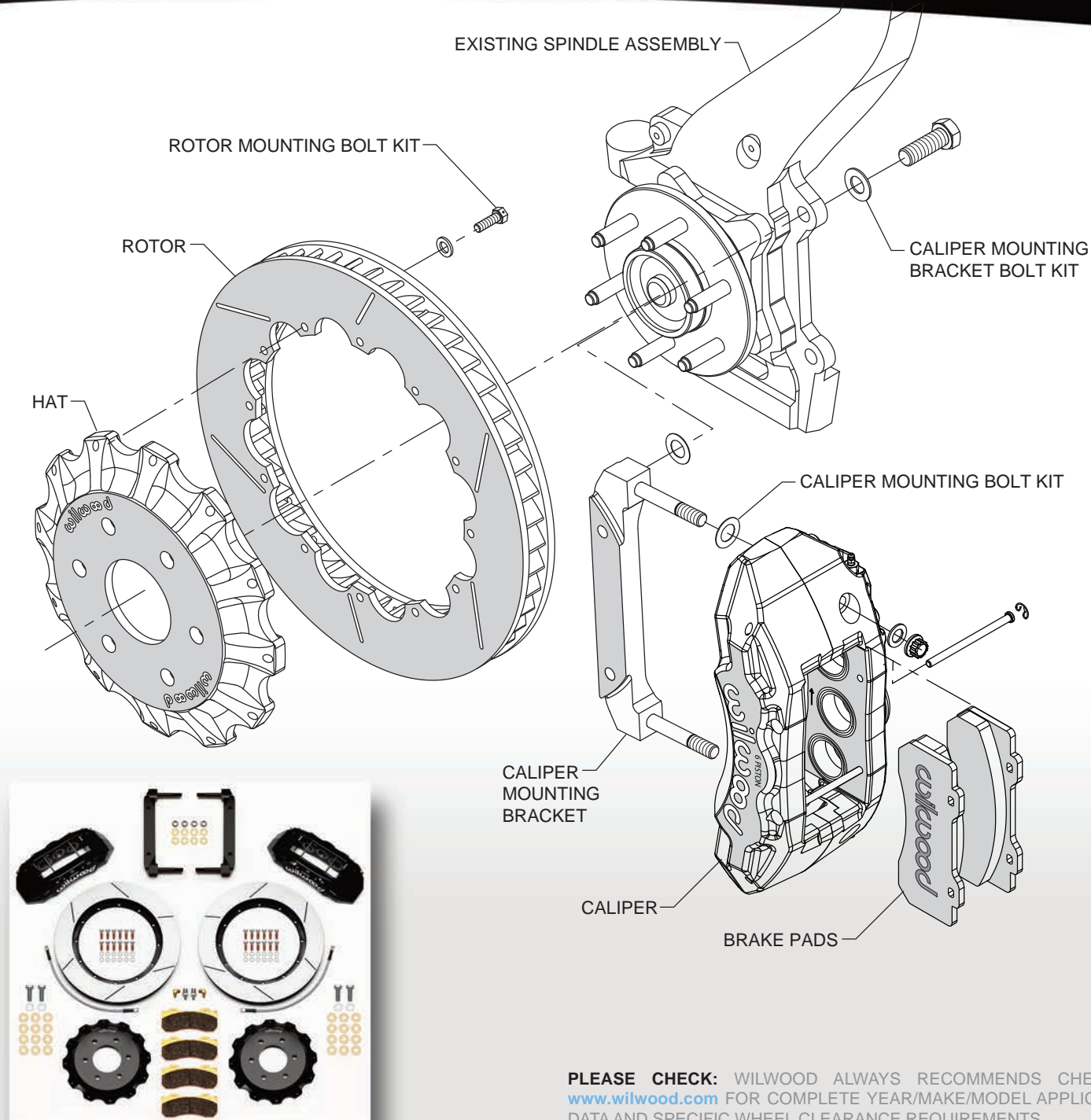


KIT FEATURES

- Forged aluminum calipers with six stainless steel pistons and high-temp internal bore seals
- Available in our signature gloss black, competition red and 22 additional color options
- Big diameter 15.50" by 1.38" thick extreme duty **Spec37** alloy directional vane rotors
- High response, driver and rotor-friendly BP-20 metallic-composite **SmartPads**
- Based on systems originally developed for tactical and armored vehicle applications
- Fully compatible with factory master cylinder output and all ABS system controls



Notes: Check www.wilwood.com for complete year/make/model application data and specific wheel clearance requirements.



PLEASE CHECK: WILWOOD ALWAYS RECOMMENDS CHECKING www.wilwood.com FOR COMPLETE YEAR/MAKE/MODEL APPLICATION DATA AND SPECIFIC WHEEL CLEARANCE REQUIREMENTS.

ORDERING INFORMATION: Complete Front Brake Kits for 2004-2008 Ford F-150 4WD

PART NUMBER	DESCRIPTION	CALIPER FINISH
140-15286	Tactical Xtreme TX6R Caliper, 15.50" Spec37 GT Competition Series Rotor	Black Powder Coat
140-15286-R	Tactical Xtreme TX6R Caliper, 15.50" Spec37 GT Competition Series Rotor	Red Powder Coat