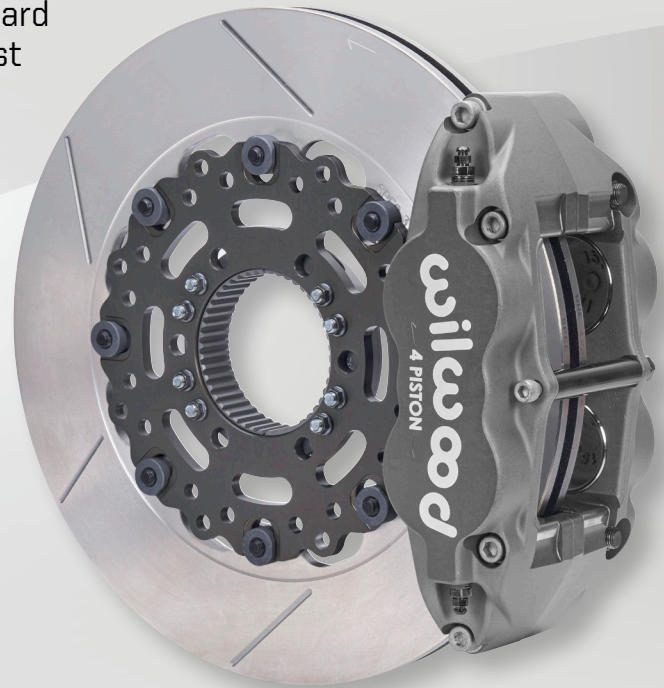


Dirt Sprint Car Superlite Caliper on 12.19" Rotor Inboard Brake Kit

Wilwood has created the most powerful rear inboard brake available for dirt sprint car racing. The latest evolution combines the competition-proven **Superlite** caliper with a floating, dynamically mounted 12.19" diameter vented **Spec37** rotor.

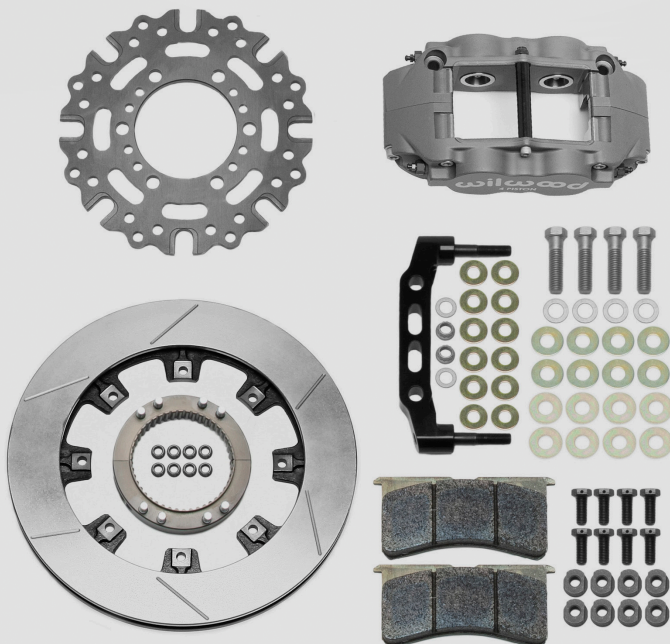
FEATURES:

- Stress-flow, forged aluminum **Superlite** caliper provides major clamping force without excessive weight
- Differential bore, 1.88" and 1.75" diameter four piston **FSL4R** caliper for progressive engagement and increased brake pad life



P/N: 140-17141

FSL4R Sprint Brake Kit

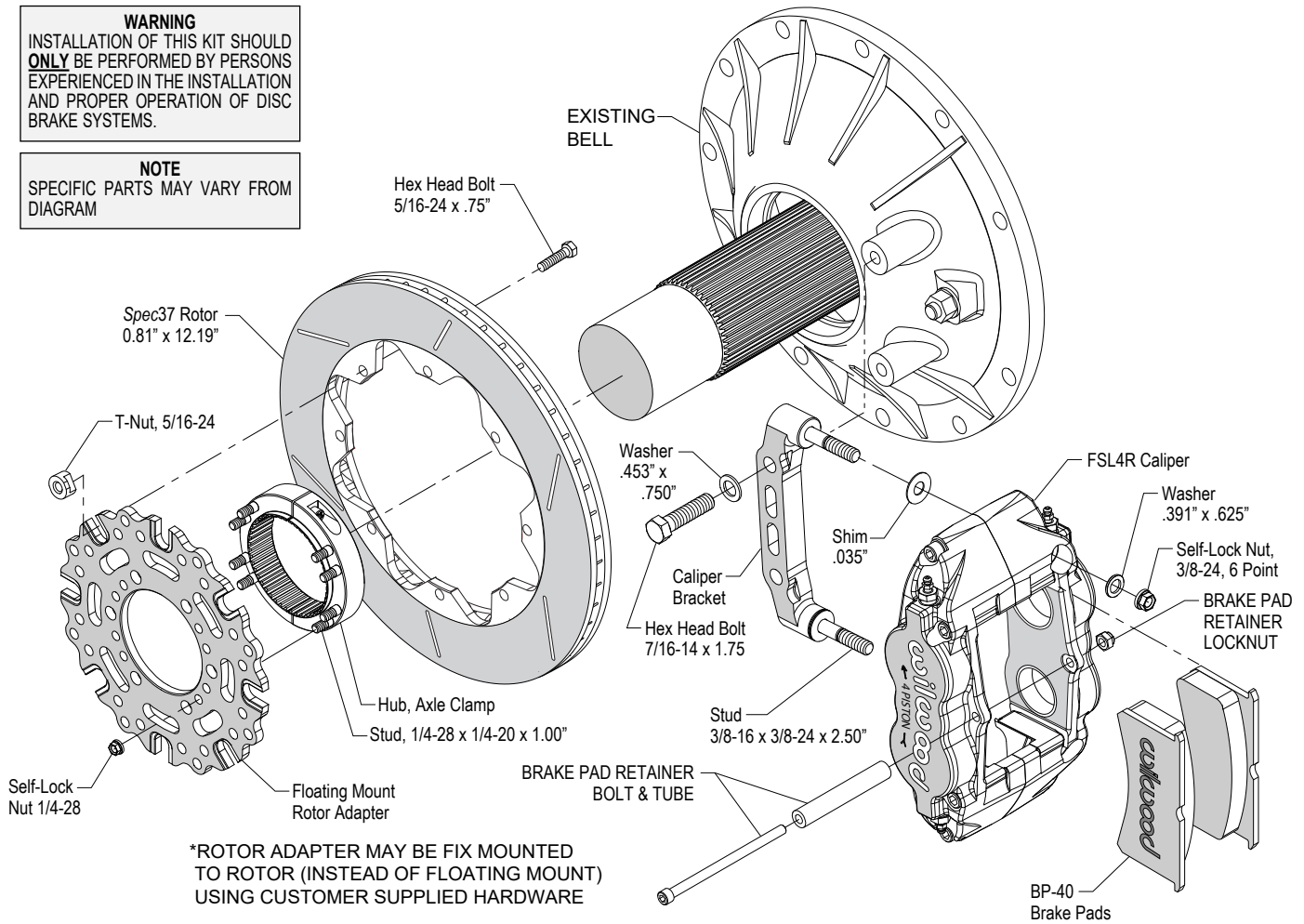


- Caliper is hard anodized with tough ceramic-oxide to resist internal wear and protects against corrosion
- Dynamically mounted 12.19" x 0.81" proprietary **Spec37** iron alloy rotors with 36 directional vanes provide high-performance and resist thermal distortion
- Strong, lightweight caliper with aluminum hub and mounting bracket
- Fade-free **SmartPad** BP-40 compound brake pads included (other tuning compounds available)

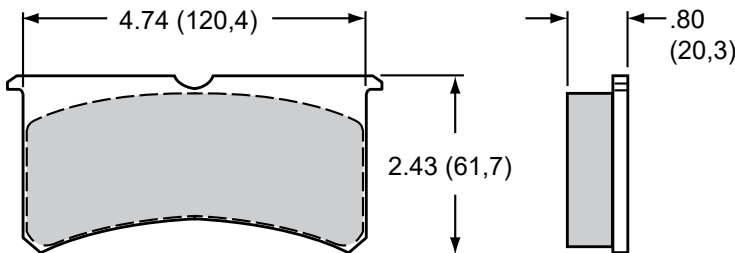
TYPICAL INSTALLATION CONFIGURATION

WARNING
INSTALLATION OF THIS KIT SHOULD **ONLY** BE PERFORMED BY PERSONS EXPERIENCED IN THE INSTALLATION AND PROPER OPERATION OF DISC BRAKE SYSTEMS.

NOTE
SPECIFIC PARTS MAY VARY FROM DIAGRAM



ORDERING INFORMATION: FSL4R CALIPER TYPE 7420 PAD



PART NUMBER	COMPOUND
150-12245K	BP-40 SmartPad (included)
150-14773K	BP-30 SmartPad
150-28-7420	BP-28 SmartPad

ORDERING INFO: PH: 805.388.1188 • FAX: 805.388.4938 • wilwood.com • info@wilwood.com

PART NUMBER	DESCRIPTION	CALIPER FINISH	ROTOR SIZE	ROTOR TYPE
140-17141	Forged Superlite 4 Radial Sprint Inboard Rear Brake Kit	Type III Ano	0.81" x 12.19"	Slotted GT 36 Curved Vane Spec37