

Aero6-DM “Direct-Mount” Brake Kits

- ✓ 2007-18 **Jeep JK Wrangler**
- ✓ 2019-22 **Jeep JL Wrangler**
- ✓ 2020-22 **Jeep JT Gladiator**

Wilwood’s new **Aero6-DM** directly-mounted caliper brake kits are designed to fit most factory and aftermarket 17” wheels for 2007-2022 Jeep JK and JL Wranglers, and Jeep JT Gladiators. Replace the factory floating calipers with Wilwood’s net-forged aluminum, six piston calipers and premium alloy one-piece rotors to improve performance and pedal feel in your 17” off-road wheels.

Designed and engineered to fit most 17” and larger wheels providing better thermal capability for numerous types of driving, including towing, commercial and off-road use.

KIT FEATURES:

- Directly mounts to factory spindles and hubs with no modifications or additional brackets
- Provides greater brake torque and increased thermal stability, yet fits behind most 17” wheels and larger

CALIPERS: AERO6-DM

- Stress-flow forged aluminum Aerolite calipers are engineered for direct-mounting with six differential bore pistons for more even clamping force, and closed bridge for minimal deflection
- Compatible with the factory master cylinder, ABS and all electronic controls
- Calipers available in gloss black or red powder coat, or 22 additional color options (additional charges may apply)

ROTORS: GT or SRP

- 13.38” x 1.25” premium-grade, long-grain carbon iron alloy vented rotors
- Choose GT slotted, or SRP drilled and slotted rotors

PADS: BP Series “Q” Compound SmartPad®

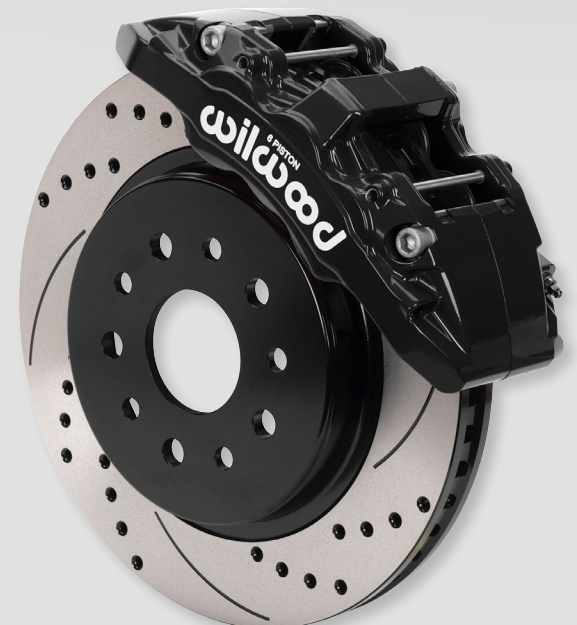
- New “Q” ceramic-based, dual-sport SmartPad for everyday street or performance driving (additional compounds available)

INSTALLATION PARTS:

- Stainless steel flexlines and premium-grade hardware included



**Aero6-DM Six Piston Brake Kit
13.38” GT Slotted Rotor**

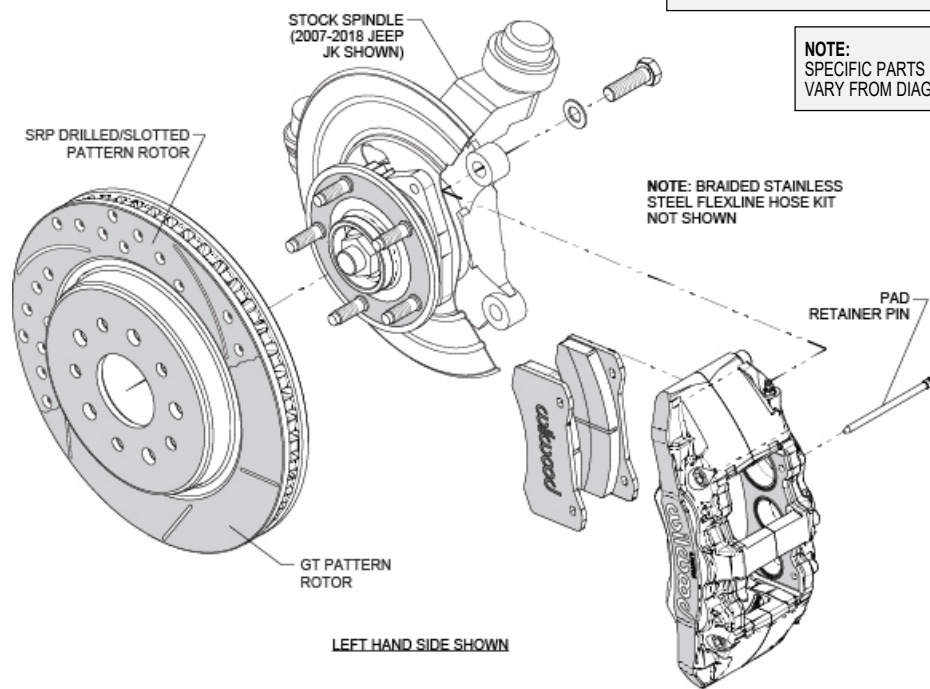


**Aero6-DM Six Piston Brake Kit
13.38” SRP Drilled & Slotted Rotor**

Aero6-DM "Direct-Mount" Brake Kits

2007-18 Jeep JK Wrangler, 2019-22 Jeep JL Wrangler, 2020-22 Jeep JT Gladiator

TYPICAL INSTALLATION CONFIGURATION



WARNING
INSTALLATION OF THIS KIT SHOULD **ONLY** BE PERFORMED BY PERSONS EXPERIENCED IN THE INSTALLATION AND PROPER OPERATION OF DISC BRAKE SYSTEMS.

NOTE:
SPECIFIC PARTS MAY VARY FROM DIAGRAM



ORDERING INFO: PH: 805.388.1188 • FAX: 805.388.4938 • wilwood.com • info@wilwood.com

BLACK	RED	DESCRIPTION	CALIPER TYPE	ROTOR TYPE	ROTOR SIZE
140-17274	140-17274-R	Kit, Front Aero6-DM, Jeep JK Wrangler, 2007-18	Aerolite 6 Piston Direct-Mount	GT Slotted	13.38" x 1.25"
140-17274-D	140-17274-DR	Kit, Front Aero6-DM, Jeep JK Wrangler, 2007-18	Aerolite 6 Piston Direct-Mount	SRP Drilled & Slotted	13.38" x 1.25"
140-17275	140-17275-R	Kit, Front Aero6-DM, Jeep JL Wrangler, 2019-20 & Jeep JT Gladiator, 2020-22	Aerolite 6 Piston Direct-Mount	GT Slotted	13.38" x 1.25"
140-17275-D	140-17275-DR	Kit, Front Aero6-DM, Jeep JL Wrangler, 2019-20 & Jeep JT Gladiator, 2020-22	Aerolite 6 Piston Direct-Mount	SRP Drilled & Slotted	13.38" x 1.25"