

GM CAVALIER / SUNFIRE DYNAPRO FRONT BIG BRAKE HAT KIT

Models Covered:

Chevrolet Cavalier	1999-2004
Pontiac Sunfire	1999-2004

Kit Features:

- Designed for use with aftermarket wheel upgrades
- Requires moderate modification of the OE caliper mounts on the OE spindle
- Compatible with OE master cylinder output and ABS

Component Features:

DynaPro Four Piston Radial Mount Calipers

- Rigid FEA designed billet body provides maximum clamping efficiency and unyielding pedal response by eliminating fluid volume displacement loss from structural deflection at the high output pressures generated by power brake master cylinders
- Four piston design generates high clamping force with balanced pad loading
- Quick Clip pad retainers and dust booted pistons allow fast and easy pad service without caliper removal
- Spring loaded stainless steel SRS bridge plates reduce noise by damping engagement harmonics and stopping pad rattle. Bridge wear from gouging at the pad trailing edge is also eliminated
- Internal fluid passages prevent all potential problems associated with external fluid transfer tubes
- Four corner bleed screws accommodate effective gas evacuation regardless of mounting position
- Radial mounting provides solid attachment with two planes of adjustment for precise alignment and simplified caliper service in the field



**Cavalier / Sunfire Big Brake
Front Kit with HP Rotor**

SRP or HP Series 12.19" Diameter Rotors

- Increased diameter multiplies stopping leverage over OE diameter rotors
- 32 vane vented iron design provides high cooling efficiency
- SRP drilled and slotted rotors give a custom high-tech look with improved pad performance through gas evacuation and pad cleaning properties
- HP rotors provide additional mass for increased thermal stability in higher sustained heat applications

Aluminum Rotor Mounting Hats

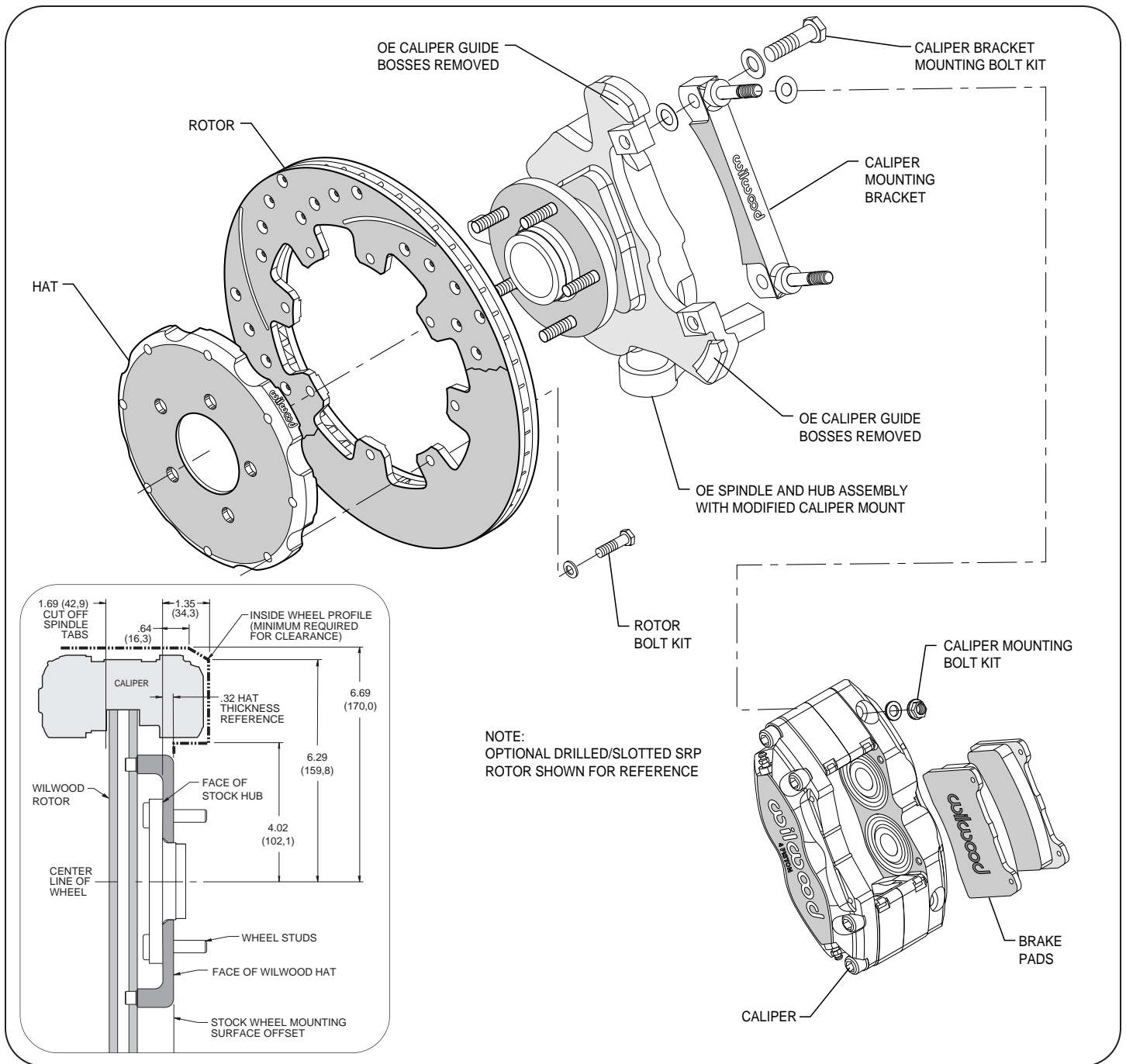
- Premium grade alloy aluminum hats are lightweight and provide sturdy mounting of the vented iron rotors on the OE hub assembly
- High luster black anodized finish resists corrosion and enhances the custom appearance inside the wheel

"Smart Pads" with Noise Suppression Shims

- 7816 type BP-10 pads provide fast response and high fade resistance with the lowest noise and dust levels available from a performance pad compound
- Viscoelastic multi-layered noise suppression shims provide additional damping of harmonic or resonant vibrations that generate pad squeal

Mounting Hardware and Plumbing

- Machined billet radial mount brackets with all necessary high strength fasteners, washers, and alignment shims are included with each kit
- Optional flex line kits include stainless steel reinforced hoses with machine crimped ends and the fittings necessary to connect the calipers with the OE brake line fitting at the chassis. Flex line kits must be ordered separately .



Typical Installation Diagram, Major Components Identified. Minimum Wheel Fit Dimensions Shown Inset

ORDERING INFORMATION: BRAKE AND FLEX LINE KITS:

MAKE / MODEL / YEAR	KIT PART NUMBERS		
	HP ROTOR KIT	SRP ROTOR KIT	FLEX LINE KITS
Chevrolet Cavalier 1999-04	140-8423	140-8423-D	220-8422
Pontiac Sunfire 1999-04	140-8423	140-8423-D	220-8422

ORDERING INFORMATION: USER SERVICEABLE COMPONENTS, PART NUMBER:

KIT NUMBER	CALIPER	PAD SET	ROTOR	HAT	ROTOR BOLT KIT	MOUNT BRACKET	MOUNTING BOLT KIT	ANTI-SQUEAL SHIM KIT
140-8423	120-7327	150-8946K	160-5843	170-8324	230-8390	250-8326	230-8421	300-8259
140-8423-D	120-7327	150-8946K	160-7103/04	170-8324	230-8390	250-8326	230-8421	300-8259