



DYNAPRO SINGLE BILLET CALIPER

Caliper Highlights:

The **DynaPro Single** (DPS) billet caliper represents the newest generation of calipers available as an upgrade or replacement for applications previously using the long-standing Dynalite Single (DLS) model series. **DPS** calipers combine superior strength with several new performance enhancements to make these the best "Dyna" series calipers ever built.

The strength of the **DynaPro Single** is a combination of process and design. **DPS** calipers are fully CNC machined from premium grade alloy billet. The FEA generated body design incorporates a highly fortified transition between the piston housings and the bridges. Strengthening this critical area of the caliper has substantially increased its resistance to deflection and body separation under load. Structural deflection and volume displacement testing have proven the efficiency of this innovative design.

Reductions in overall deflection, and the subsequent decreases in fluid volume displacement, translate to increased clamping efficiency with less pedal travel. The bottom line is a firm, responsive pedal with outstanding stopping power.

The **DynaPro Single** is loaded with other exclusive Wilwood performance enhancements. The calipers feature Quick-E-Clip pad retainers that support a 6812 type brake pad from the top. In addition to fast pad service without caliper removal, this feature provides substantially stronger retention over the single Quick-Clip pin and 7012 type pads used in the previous DLS models.

The **DPS** uses heavy wall stainless steel pistons to resist corrosion and slow the heat transfer from the pads. The heavy wall sectional thickness improves pedal firmness and adds to the overall clamping efficiency by eliminating piston backside deflection at higher system pressures.

Every **DPS** caliper is also fitted with replaceable stainless steel SRS bridge plates. SRS plates eliminate the bridge wear caused by pad gouging to extend the service life of the caliper body. The spring-loading action of the SRS plates also eliminates pad rattle and dampens the vibration harmonics that contribute to squeal during engagement. The package is completed with internal fluid passages and four corner bleed screws that allow mounting in any front, rear, left, or right side position.

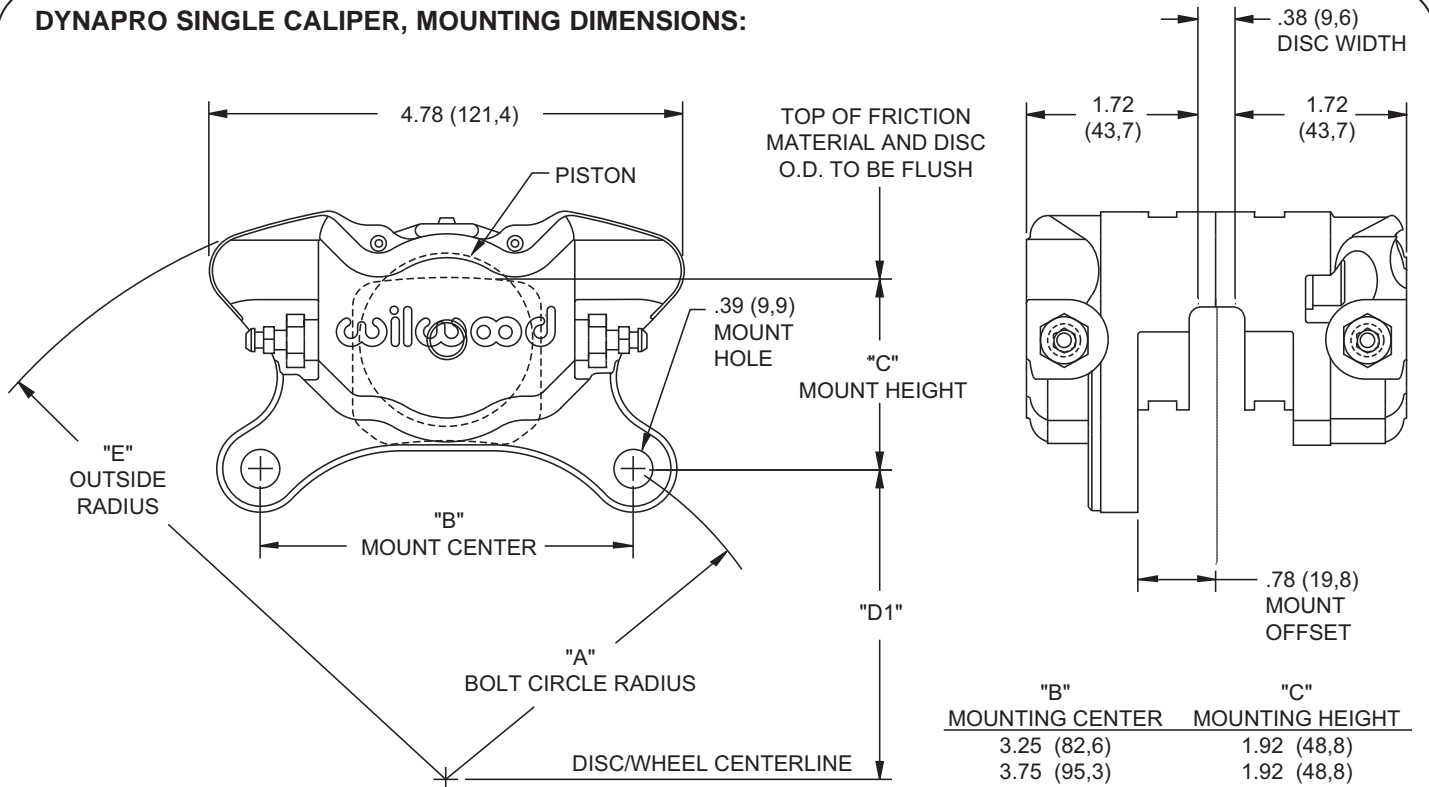


ORDERING INFORMATION: ⁽¹⁾

| BORE SIZE | | DISC WIDTH | | MOUNTING | | BLACK PART NUMBER | POLISHED PART NUMBER |
|-----------|---------|------------|--------|----------|---------|--------------------------|-------------------------|
| 1.75" | 44,5 mm | .38" | 9,7 mm | 3.75" | 95,3 mm | 120-9689 | — |
| 1.75" | 44,5 mm | .38" | 9,7 mm | 3.25" | 82,6 mm | 120-9687 | 120-9687-P |
| 1.75" | 44,5 mm | .38" | 9,7 mm | 3.25" | 82,6 mm | 120-10188 ⁽²⁾ | — |
| 1.75" | 44,5 mm | .19" | 4,8 mm | 3.75" | 95,3 mm | 120-9689-LP | 120-9689-PLP |
| 1.38" | 35,1 mm | .38" | 9,7 mm | 3.75" | 95,3 mm | 120-9690 | — |
| 1.38" | 35,1 mm | .38" | 9,7 mm | 3.25" | 82,6 mm | 120-9688 | — |
| 1.38" | 35,1 mm | .19" | 4,8 mm | 3.25" | 82,6 mm | 120-9688-LP | — |

NOTES: (1) PART NUMBERS ARE THE SAME FOR BOTH LEFT AND RIGHT HAND, SPECIFY WHEN ORDERING
(2) LIGHT WEIGHT FOR SPRINT CARS

DYNAPRO SINGLE CALIPER, MOUNTING DIMENSIONS:

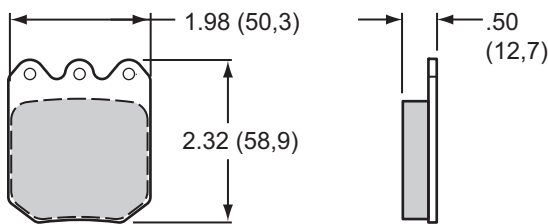


DIMENSION "D1" =
(DISC DIAMETER/2) - "C" MOUNT HEIGHT

INLET FITTING: 1/8-27 NPT

| DISC DIAMETER | "A" BOLT CIRCLE RADIUS WHEN "B" = 3.25 | "A" BOLT CIRCLE RADIUS WHEN "B" = 3.75 | "E" OUTSIDE RADIUS |
|---------------|--|--|--------------------|
| 10.00 (254,0) | 3.48 (88,4) | 3.61 (91,7) | 5.84 (148,3) |
| 10.25 (260,4) | 3.59 (91,2) | 3.71 (94,2) | 5.96 (151,4) |
| 10.50 (266,7) | 3.70 (94,0) | 3.82 (97,0) | 6.07 (154,2) |
| 11.00 (279,4) | 3.93 (99,8) | 4.04 (102,6) | 6.31 (160,3) |
| 11.75 (298,4) | 4.28 (108,7) | 4.38 (111,2) | 6.66 (169,2) |
| 12.19 (309,6) | 4.48 (113,8) | 4.58 (116,3) | 6.87 (174,5) |

DYNAPRO SINGLE CALIPER, TYPE 6812 PAD DIMENSIONS AND ORDERING INFORMATION:



AXLE SET P/N

15A - 10142K
15B - 9819K
15E - 9820K
15Q - 10144K*
150 - 9764K
150 - 9765K
150 - 9862K
150 - 9756K
150 - 9766K

PAD TYPE / COMPOUND

6812 A PolyMatrix
6812 B PolyMatrix
6812 E PolyMatrix
6812 Q PolyMatrix
6812 10 BP-10 Smart Pad
6812 20 BP-20 Smart Pad
6812 30 BP-30 Smart Pad
6812 CM For Titanium Rotor
6812 CM For Aluminum Rotor

*Can be used on Aluminum Rotors

ORDERING INFORMATION, USER SERVICEABLE COMPONENTS:

| CALIPER PART NO. | PISTON | SQ RING KIT (4 PK) | BLEED SCREW KIT (4 PK) | BODY SEAL (EA) | BRIDGE WEAR PLATE (EA) | PAD RETAINER CLIP PIN (EA) |
|------------------|------------------|--------------------|------------------------|----------------|------------------------|----------------------------|
| 120-9689 | 200-7528 (1.75") | 130-2655 | 220-0627 | 210-2582 | 300-5875 | 300-9786 |
| 120-9687 | 200-7528 (1.75") | 130-2655 | 220-0627 | 210-2582 | 300-5875 | 300-9786 |
| 120-9689-LP | 200-7530 (1.75") | 130-2655 | 220-0627 | 210-2582 | 300-5875 | 300-9786 |
| 120-9690 | 200-7518 (1.38") | 130-2658 | 220-0627 | 210-2582 | 300-5875 | 300-9786 |
| 120-9688 | 200-7518 (1.38") | 130-2658 | 220-0627 | 210-2582 | 300-5875 | 300-9786 |
| 120-9688-LP | 200-7516 (1.38") | 130-2658 | 220-0627 | 210-2582 | 300-5875 | 300-9786 |
| 120-10188 | 200-7530 (1.75") | 130-2655 | 220-0627 | 210-2582 | 300-5875 | 300-9786 |