

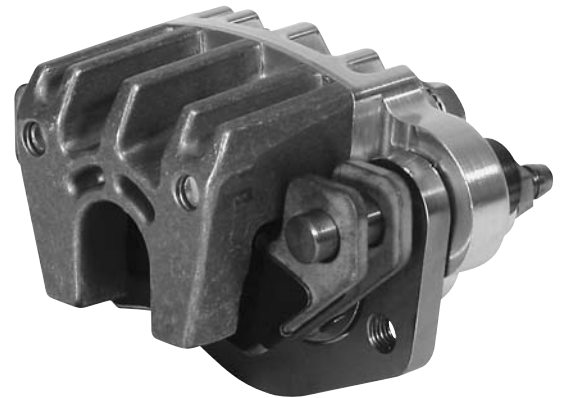


# SC STYLE 2-PISTON CALIPER

## Caliper Highlights:

Designed, engineered and manufactured in the U.S.A., this floating two-piston caliper is a rigid, compact answer to the braking needs of recreational, agriculture, and industrial vehicles.

Features of this attractive dual piston caliper include a newly designed body and 1.00" stainless steel pistons. The asymmetrical design allows for versatility in mounting positions, both front-to-rear and left-to-right. The swaged bracket design incorporates corrosion resistant slide pins into one fixed assembly mounted on neoprene o-rings in the ears of the body.

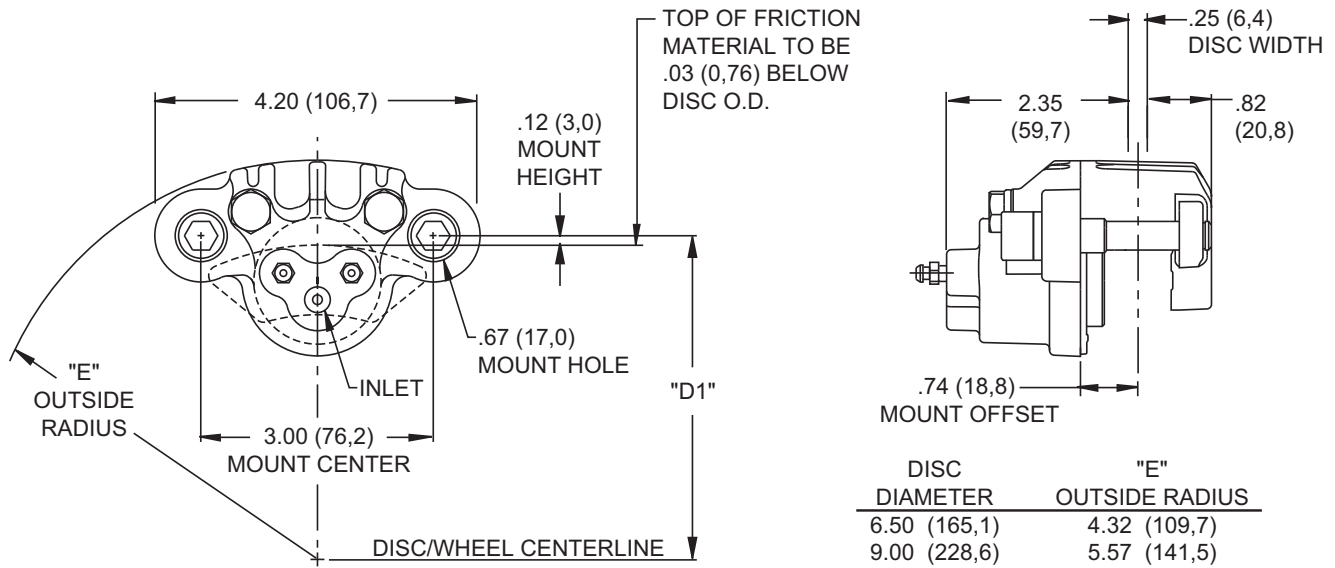


- Compact, low profile sliding mount caliper
- Newly designed die cast body
- Ribbed casting for added strength
- Two 1.00" stainless steel pistons
- Increased pad area
- Greater heat dissipation
- Corrosion resistant hardware
- M10 x 1.00" inlets with serviceable bleedscrew
- Minimum / maximum rotor diameter:  
6.50" - 9.00" (165,1 - 228,6 mm)
- Minimum / maximum rotor thickness:  
.15" - .25" (3,8 - 6,4 mm)
- Recommended slide pin torque:  
30/35 ft lbs.

## ORDERING INFORMATION:

<u>BORE SIZE</u>		<u>DISC WIDTH</u>		<u>MOUNTING</u>		<u>PART NUMBER</u>
1.25"	31,8 mm	.15" - .25"	3,8 - 6,4 mm	3.00"	76,2 mm	120-
1.19"	30,2 mm	.15" - .25"	3,8 - 6,4 mm	3.00"	76,2 mm	120-
1.06"	26,9 mm	.15" - .25"	3,8 - 6,4 mm	3.00"	76,2 mm	120-

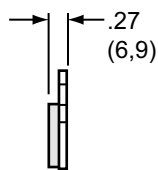
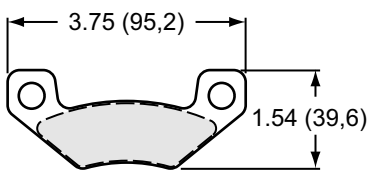
### SC STYLE 2-PISTON CALIPER, MOUNTING DIMENSIONS:



DIMENSION "D1" =  
 (DISC DIAMETER/2) + .09 (2,3)  
 CALIPER MOVES INWARD AS  
 PAD WEARS, .15 (3,8) MAX

CALIPER	PISTON BORE	STANDARD INLET	ALTERNATE INLET	ALTERNATE INLET
SC1	1.25 (31,8)	M10 x 1.0 THD	3/8-24 THD -3 INVERTED FLARE	7/16-24 THD -3 INVERTED FLARE
SC2	1.19 (30,2)	M10 x 1.0 THD	3/8-24 THD -3 INVERTED FLARE	7/16-24 THD -3 INVERTED FLARE
SC3	1.06 (26,9)	M10 x 1.0 THD	N / A	N / A

### SC STYLE 2-PISTON CALIPER PAD, PAD DIMENSIONS AND ORDERING INFORMATION:



PART NO.	PAD DESCRIPTION
150-7644	Sintered Metal w/Anti Rattle Shim For Steel and Ductile Iron Rotors
150-7646	Sintered Metal w/Anti Rattle Shim For Gray Iron Rotors
150-8990	Organic / Black For All Brake Rotor Types