

1966-75 FORD BRONCO FRONT DYNAPRO 6 BRAKE KITS

Models Covered:

- 1966-1975 Ford Bronco Dana 30/44 Drum Axle

Kit Features:

- Upgrade from Original Equipment (OE) brakes to six piston DynaPro 6 calipers.
- 11.75" diameter **Spec 37** material HD plain face rotors.
- Simple bolt-on installation with no modifications required.
- Fits most 15" and larger wheels. Check www.wilwood.com for specific wheel clearance requirements.

Component Features:

DynaPro 6 Lug Mount Calipers

- Fully detail machined billet DP6 calipers provide positive, big brake stopping power.
- Six differential bore pistons generate big brake clamping power with balanced pad loading for even wear in all types of high demand braking applications.
- Stainless steel pistons resist corrosion while slowing the heat transfer rate from the pads to the caliper body, fluid and seals.
- The caliper's seal-in-bore design adds proven durability, keeping the fluid in and dirt out without the need for external boot seals.
- Quick-E clip pad retention pins simplify pad service without the need for caliper removal.
- Calipers are available with either black or red high-gloss, high temperature, brake fluid resistant sealed powder coat and feature Wilwood's signature logo.

Spec 37 Material 11.75" x .81" Rotors

- **Spec 37** rotors are manufactured from a proprietary iron alloy developed to withstand extreme temperatures with the highest possible degree of resistance against distortion, warping, cracking, and wear.
- **HD** plain face rotors are precision machined for smoother engagement and provide long service life, superior thermal stability and improved fatigue resistance.

Forged Aluminum GT Mounting Hats

- 5 x 5.50" B.C. pattern fits directly on OE axles with .50" wheel studs
- Forged aluminum rotor mounting hats help reduce weight with the strength to handle the exceptional brake torque delivered by the calipers.
- Black E-coat finish resists corrosion while adding to the aggressive competition look inside the wheel.

Wilwood "Smart Pads"

- Kits include our proven formula BP-10 Smart Pads. BP-10 is a unique composite-metallic compound that provides increased friction, stopping power, and higher fade resistance in a clean and quiet-running, low-dust style pad.
- Optional high-temperature and race-only pad compounds are also available.

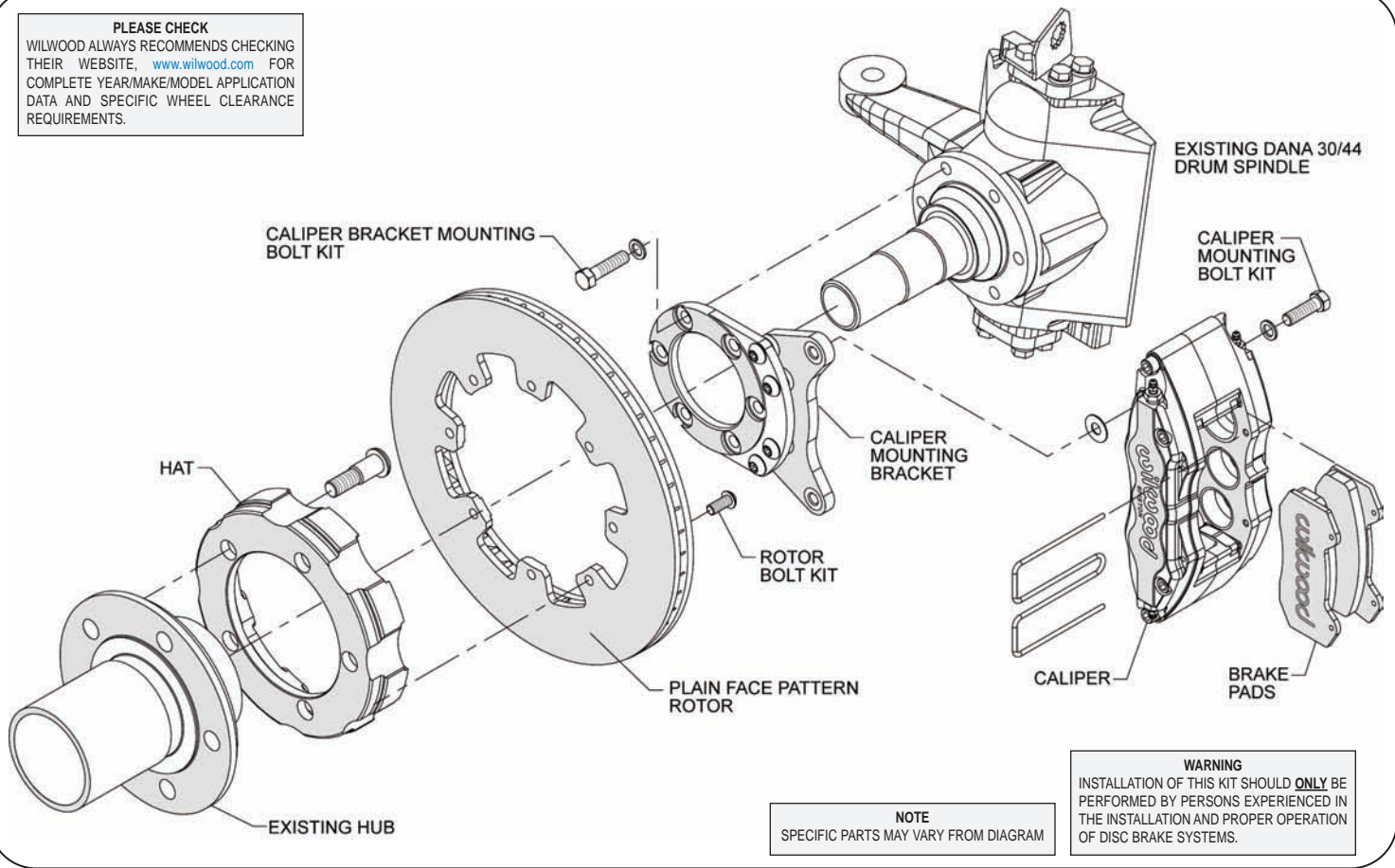
Hardware and Plumbing

- Caliper brackets, premium grade hardware, and detailed installation instructions are included in every kit.
- Jacketed stainless steel braided, DOT approved flexlines are included.



DynaPro 6 Kit Assembly
([download high-res photo](#)) **

PLEASE CHECK
 WILWOOD ALWAYS RECOMMENDS CHECKING
 THEIR WEBSITE, www.wilwood.com FOR
 COMPLETE YEAR/MAKE/MODEL APPLICATION
 DATA AND SPECIFIC WHEEL CLEARANCE
 REQUIREMENTS.



Typical Installation Diagram

ORDERING INFORMATION:

PART NUMBER

DESCRIPTION

140-13303	1966-75 Ford Bronco, Dana 30/44 Drum Spindle, DP6 Caliper, 11.75" HD Rotor, Black Caliper
140-13303-R	1966-75 Ford Bronco, Dana 30/44 Drum Spindle, DP6 Caliper, 11.75" HD Rotor, Red Caliper



Need additional information - fast? Utilizing your Smartphone, scan the image at the left to jump to our web site. This code takes you to our home page and social media sites where information is just a click away, [or click here.](#)

** To download a high resolution photo of these products, please go to our FTP location:

<ftp://ftp.wilwood.com> • Username: advert • Password: photos
 Path: Brake_Kits / Kit_Shots_Assembled_tiff / brake_kit-140-xxxxx.tif