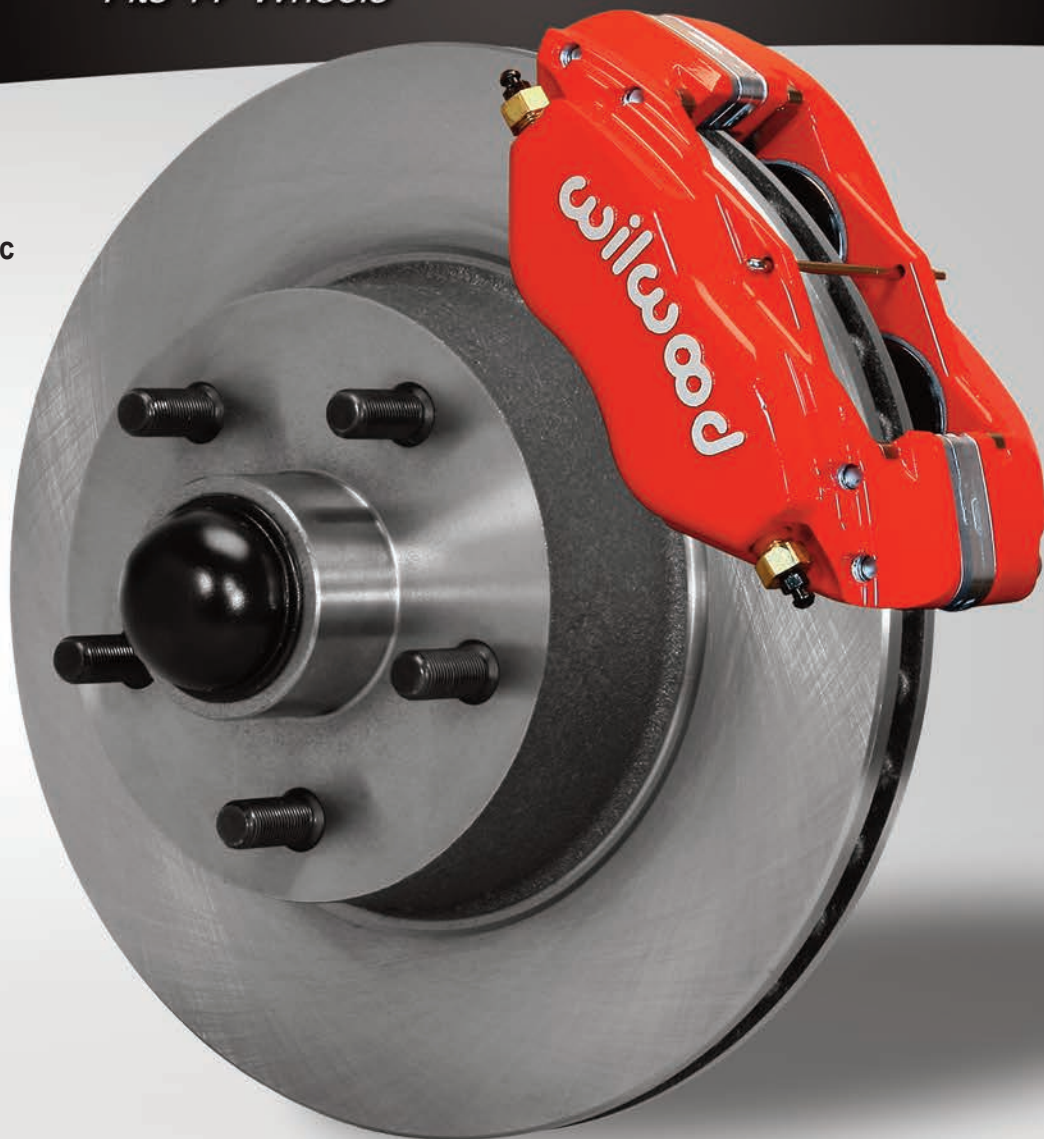


Dynalite Classic Series Front disc brake kits combine modern technology with contemporary styling in an affordable package that delivers confident and consistent stopping power with 14" or 15" wheels on your classic era Mustang.

## Kit Features:

- Complete bolt-on installation on OE disc or drum brake V8 Spindles
- Engineered for the 5-lug 1965-1973 Ford Mustang
- Fully compatible with manual or power assisted systems
- BP-10 metallic-composite compound Smart Pads
- Vented plain-face or drilled and slotted rotors



## Component Features:

 Made in USA

### Calipers

- Forged Dynalite 4-piston calipers designed for optimal wheel clearance
- Stainless Steel pistons for corrosion resistance and reduced heat transfer to fluid and seals
- Superior clamping power in a truly lightweight, rigid and reliable design
- Black anodized or red powder coat finishes

### Brake Pads

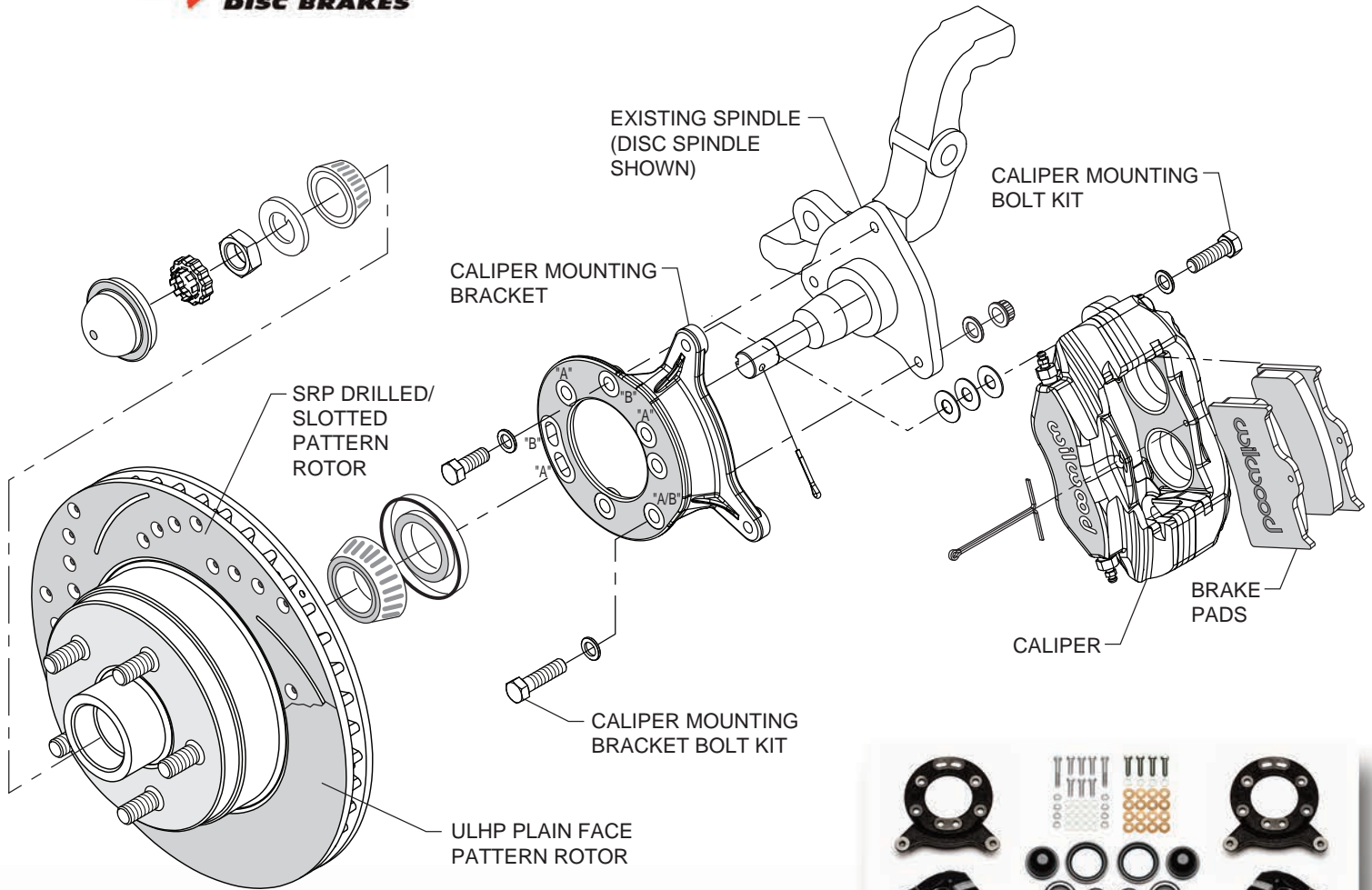
- BP-10 metallic-composite compound *Smart Pads*
- Increased friction, higher fade resistance, and longer wear
- Virtually noise and dust free street performance

### Rotors (11.30" diameter x .94")

- 1-piece rotors are precision machined for smoother engagement and provide long service life, superior thermal stability and improved fatigue resistance
- Vented plain-face or drilled and slotted rotors available
- Durable e-coat finish prevents corrosion - provided on all drilled and slotted rotors

### Hardware

- Caliper brackets and premium hardware
- Jacketed stainless steel braided, DOT approved flexlines
- Bearings, seals, and dust caps included
- Detailed installation instructions



**PLEASE CHECK:** WILWOOD ALWAYS RECOMMENDS CHECKING THEIR WEBSITE, [www.wilwood.com](http://www.wilwood.com) FOR COMPLETE YEAR/MAKE/ MODEL APPLICATION DATA AND SPECIFIC WHEEL CLEARANCE REQUIREMENTS.

**Dynalite Mustang Kit Assembly**

➤ (download high-res photo)

Username: advert • Password: photos



**ORDERING INFORMATION:**

PART NUMBER	DESCRIPTION
<a href="#">140-13476</a>	Front Kit, 1965-1969 Ford Mustang, FDL Caliper, 11.30" ULHP Rotor, Black Caliper
<a href="#">140-13476-D</a>	Front Kit, 1965-1969 Ford Mustang, FDL Caliper, 11.30" SRP Drilled and Slotted Rotor, Black Caliper
<a href="#">140-13476-DR</a>	Front Kit, 1965-1969 Ford Mustang, FDL Caliper, 11.30" SRP Drilled and Slotted Rotor, Red Caliper
<a href="#">140-13476-R</a>	Front Kit, 1965-1969 Ford Mustang, FDL Caliper, 11.30" ULHP Rotor, Red Caliper
<a href="#">140-13477</a>	Front Kit, 1970-1973 Ford Mustang, FDL Caliper, 11.30" ULHP Rotor, Black Caliper
<a href="#">140-13477-D</a>	Front Kit, 1970-1973 Ford Mustang, FDL Caliper, 11.30" SRP Drilled and Slotted Rotor, Black Caliper
<a href="#">140-13477-DR</a>	Front Kit, 1970-1973 Ford Mustang, FDL Caliper, 11.30" SRP Drilled and Slotted Rotor, Red Caliper
<a href="#">140-13477-R</a>	Front Kit, 1970-1973 Ford Mustang, FDL Caliper, 11.30" ULHP Rotor, Red Caliper