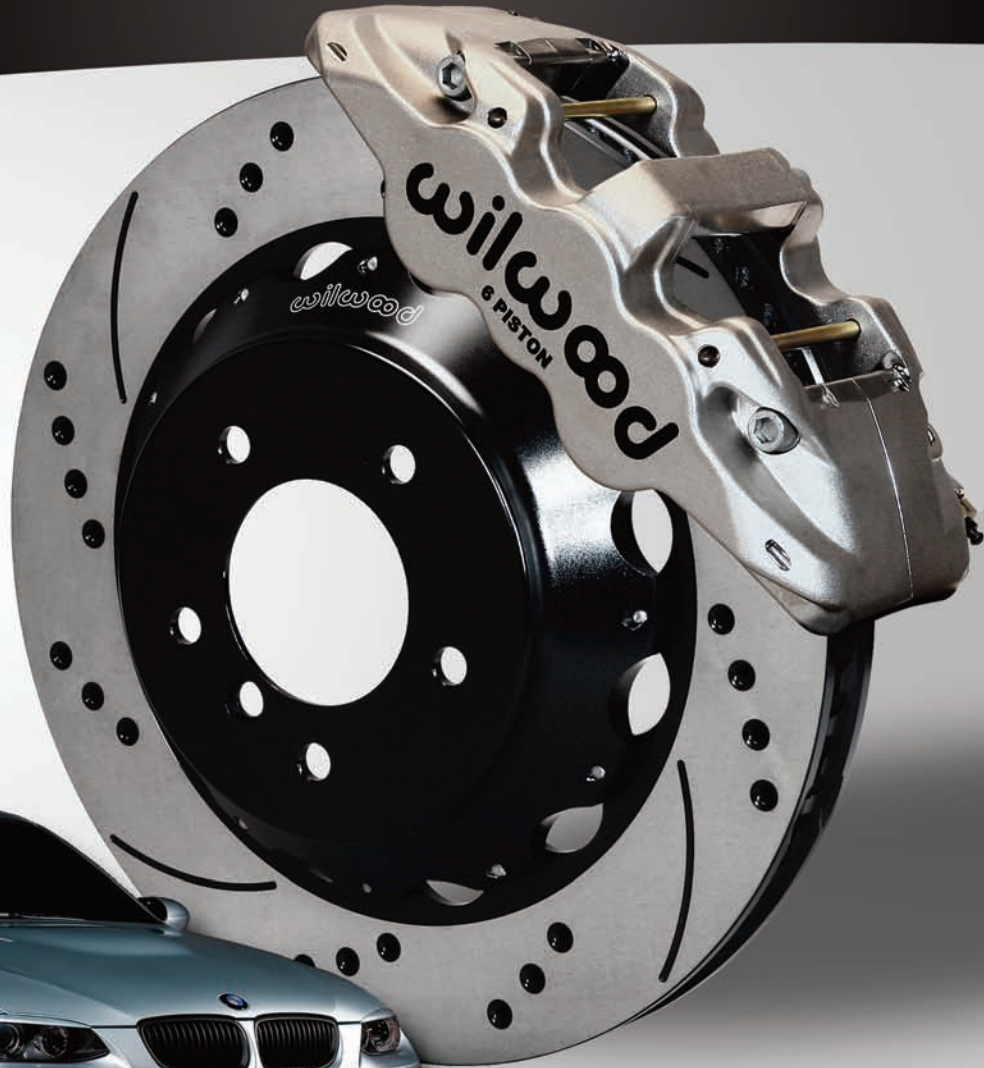




BMW E90 3 SERIES • 2007-2011 FRONT AEROLITE 6R BRAKE KIT

Aerolite 6R Front Brake kits for the BMW E90 3 Series combine cutting edge technology with high-tech styling to deliver track proven endurance and big brake performance for the street, track, or show.

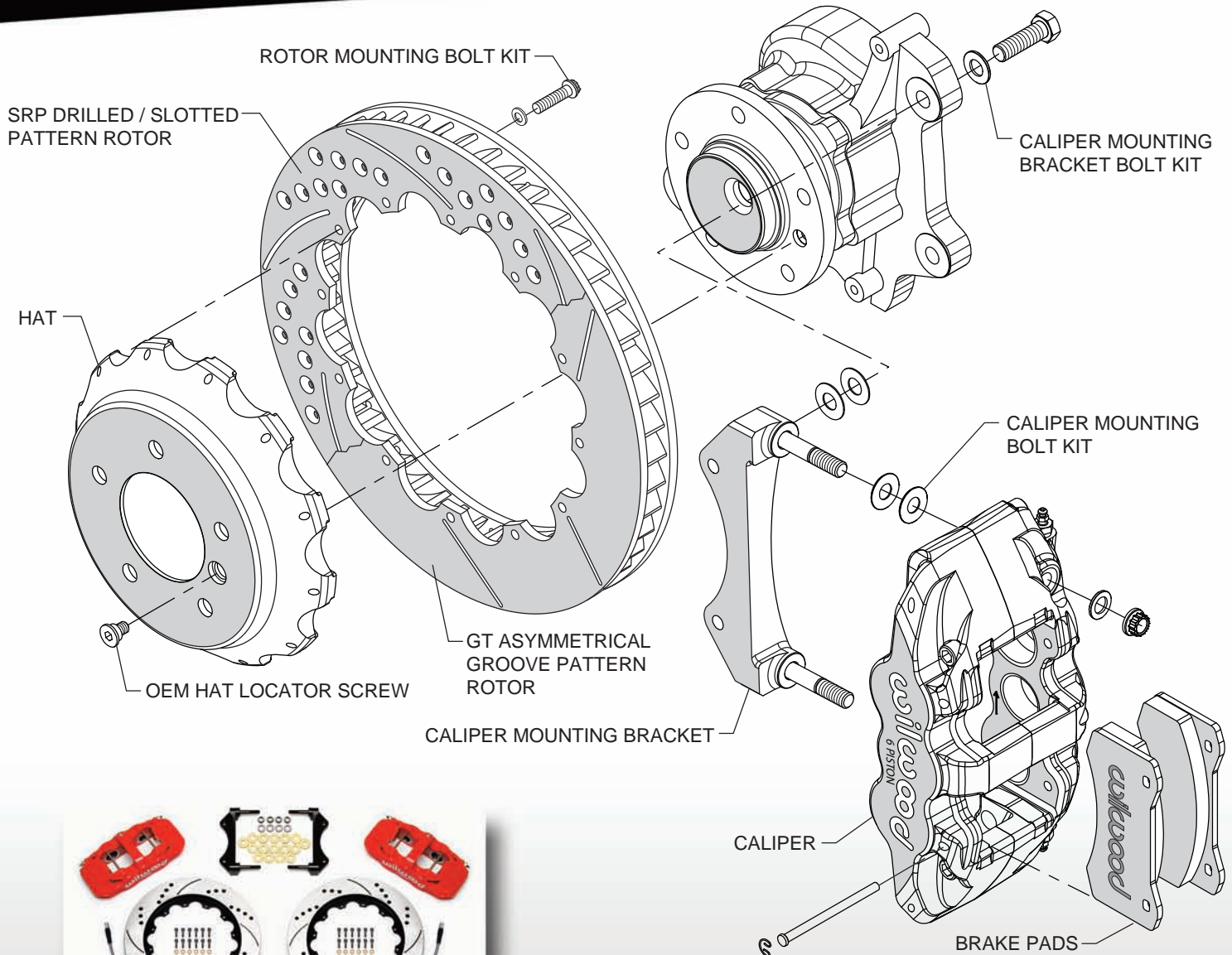


Kit Features



- Aerolite 6-piston radial mount forged billet aluminum calipers
- Fits inside OEM 18" wheels⁽¹⁾
- 14.00" x 1.25" staggered vane **Spec 37** alloy rotors in choice of GT face slotted or SRP drilled and slotted
- Optional caliper finishes, rotor styles, and brake pad compounds
- Fully compatible with ABS and OE master cylinder output
- BP-10 metallic-composite compound *Smart Pads* with race compound upgrades available
- Easily custom tailored for the street or track
- DOT approved stainless steel braided flexlines included
- Simple bolt-on installation with all the necessary hardware and detailed installation instructions

(1) Wilwood always recommends checking their website, www.wilwood.com for complete year/make/model application data and specific wheel clearance requirements



PLEASE CHECK: WILWOOD ALWAYS RECOMMENDS CHECKING THEIR WEBSITE, www.wilwood.com FOR COMPLETE YEAR/MAKE/MODEL APPLICATION DATA AND SPECIFIC WHEEL CLEARANCE REQUIREMENTS.

ORDERING INFORMATION:

PART NUMBER	DESCRIPTION
140-13582	Front Kit, 2007-2011 BMW E90 3 Series, Aerolite 6R Caliper, 14.00" GT Rotor, Black Caliper
140-13582-D	Front Kit, 2007-2011 BMW E90 3 Series, Aerolite 6R Caliper, 14.00" SRP Drilled and Slotted Rotor, Black Caliper
140-13582-R	Front Kit, 2007-2011 BMW E90 3 Series, Aerolite 6R Caliper, 14.00" GT Rotor, Red Caliper
140-13582-DR	Front Kit, 2007-2011 BMW E90 3 Series, Aerolite 6R Caliper, 14.00" SRP Drilled and Slotted Rotor, Red Caliper
140-13582-N	Front Kit, 2007-2011 BMW E90 3 Series, Aerolite 6R Caliper, 14.00" GT Rotor, Quick-Silver Caliper
140-13582-DN	Front Kit, 2007-2011 BMW E90 3 Series, Aerolite 6R Caliper, 14.00" SRP Drilled and Slotted Rotor, Quick-Silver Caliper