

Wilwood Compact Combination Master Cylinders are available in either flange mount or side mount configurations and in numerous bore sizes.



Flange Mount Kit Shown

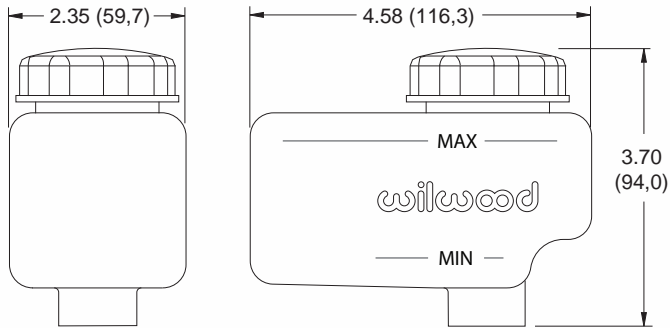


Master Cylinder Features

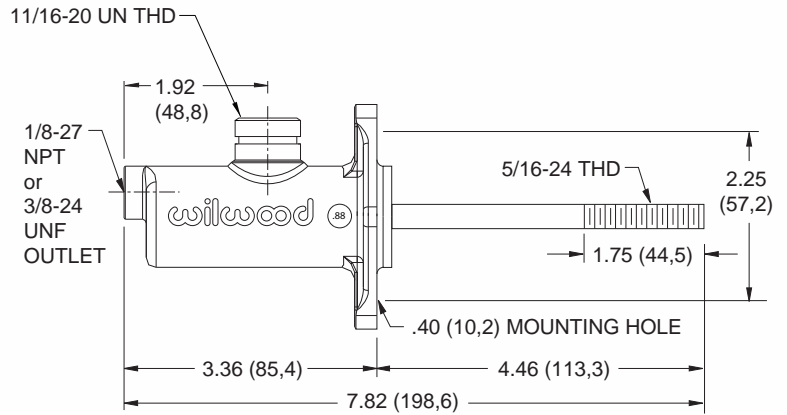
- Available with 1/8-27 NPT or 3/8-24 UNF fluid outlet
- Over 2" additional clearance compared to full size combination master cylinders
- A full 1.12" of piston stroke meets or exceeds most full size master cylinders
- Conveniently packaged to include all parts necessary for direct or remote mounted reservoirs
- Black E-coated aluminum bodies resist corrosion and maintains a durable long lasting finish
- 11/16-20 internal threads in the reservoir mount allows for custom fluid reservoirs

ORDERING INFORMATION:

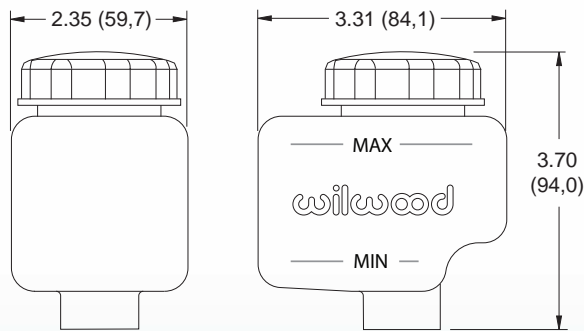
DESCRIPTION	MOUNTING	FLUID OUTLET	KIT PART NUMBER
5/8" Bore Compact Combination Master Cylinder	FLANGE	1/8-27 NPT	260-10371
5/8" Bore Compact Combination Master Cylinder	FLANGE	3/8-24 UNF	260-13618
5/8" Bore Compact Combination Master Cylinder	SIDE	1/8-27 NPT	260-12384
3/4" Bore Compact Combination Master Cylinder	FLANGE	1/8-27 NPT	260-10372
3/4" Bore Compact Combination Master Cylinder	FLANGE	3/8-24 UNF	260-13619
3/4" Bore Compact Combination Master Cylinder	SIDE	1/8-27 NPT	260-12385
13/16" Bore Compact Combination Master Cylinder	FLANGE	1/8-27 NPT	260-10373
13/16" Bore Compact Combination Master Cylinder	FLANGE	3/8-24 UNF	260-13620
13/16" Bore Compact Combination Master Cylinder	SIDE	1/8-27 NPT	260-12386
7/8" Bore Compact Combination Master Cylinder	FLANGE	1/8-27 NPT	260-10374
7/8" Bore Compact Combination Master Cylinder	FLANGE	3/8-24 UNF	260-13621
7/8" Bore Compact Combination Master Cylinder	SIDE	1/8-27 NPT	260-12387
7/8" Bore Compact Combination Master Cylinder	SIDE	3/8-24 UNF	260-13624
1" Bore Compact Combination Master Cylinder	FLANGE	1/8-27 NPT	260-10375
1" Bore Compact Combination Master Cylinder	FLANGE	3/8-24 UNF	260-13622
1" Bore Compact Combination Master Cylinder	SIDE	1/8-27 NPT	260-12388
1" Bore Compact Combination Master Cylinder	SIDE	3/8-24 UNF	260-13625
1-1/8" Bore Compact Combination Master Cylinder	FLANGE	1/8-27 NPT	260-10376
1-1/8" Bore Compact Combination Master Cylinder	FLANGE	3/8-24 UNF	260-13623
1-1/8" Bore Compact Combination Master Cylinder	SIDE	1/8-27 NPT	260-12389



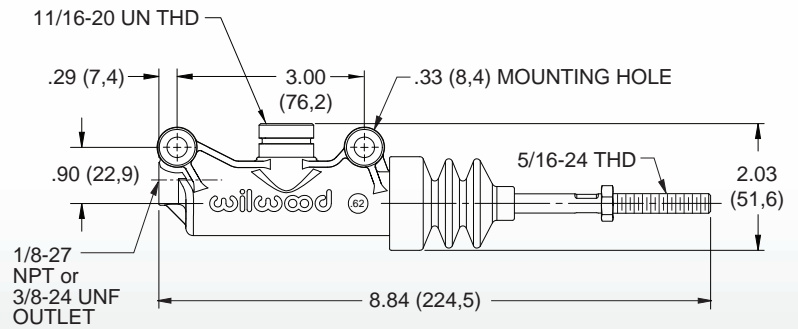
LARGE RESERVOIR, 10 OUNCES, P/N 260-10205



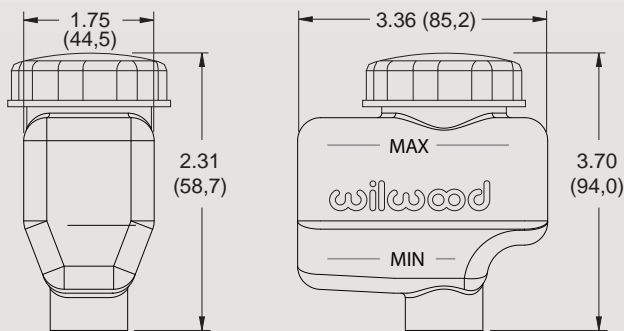
FLANGE MOUNT MASTER CYLINDER



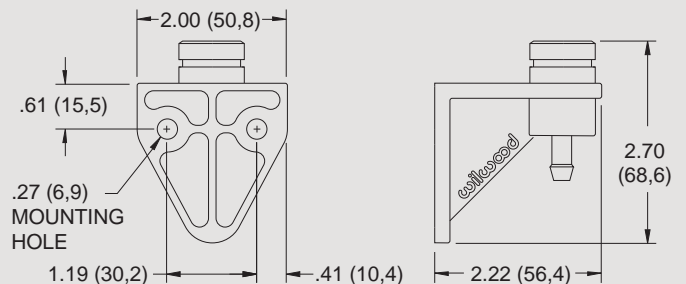
MEDIUM RESERVOIR, 7 OUNCE, P/N 260-10204



SIDE MOUNT MASTER CYLINDER



SMALL RESERVOIR, 4.5 OUNCE, P/N 260-13107



MOUNTING BRACKET, P/N 250-10263

Master Cylinders, Reservoirs and Mounting Bracket; Dimensional Characteristics