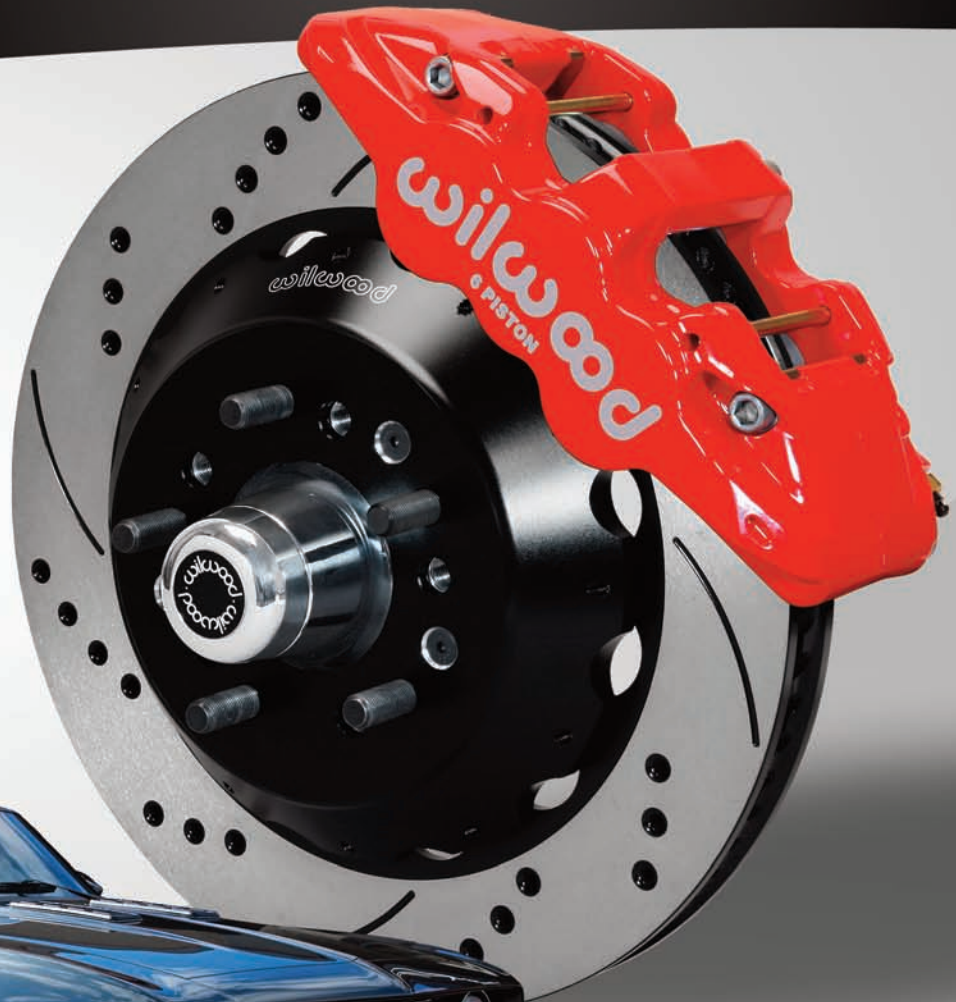




EARLY CAMARO/NOVA/CHEVELLE FRONT AEROLITE 6R 15" BRAKE KIT

Aerolite 6R Front Brake Kits

for the early Camaro, Nova and Chevelle combine cutting edge technology with high-tech styling to deliver track proven endurance and big brake performance for the street, track, or show.

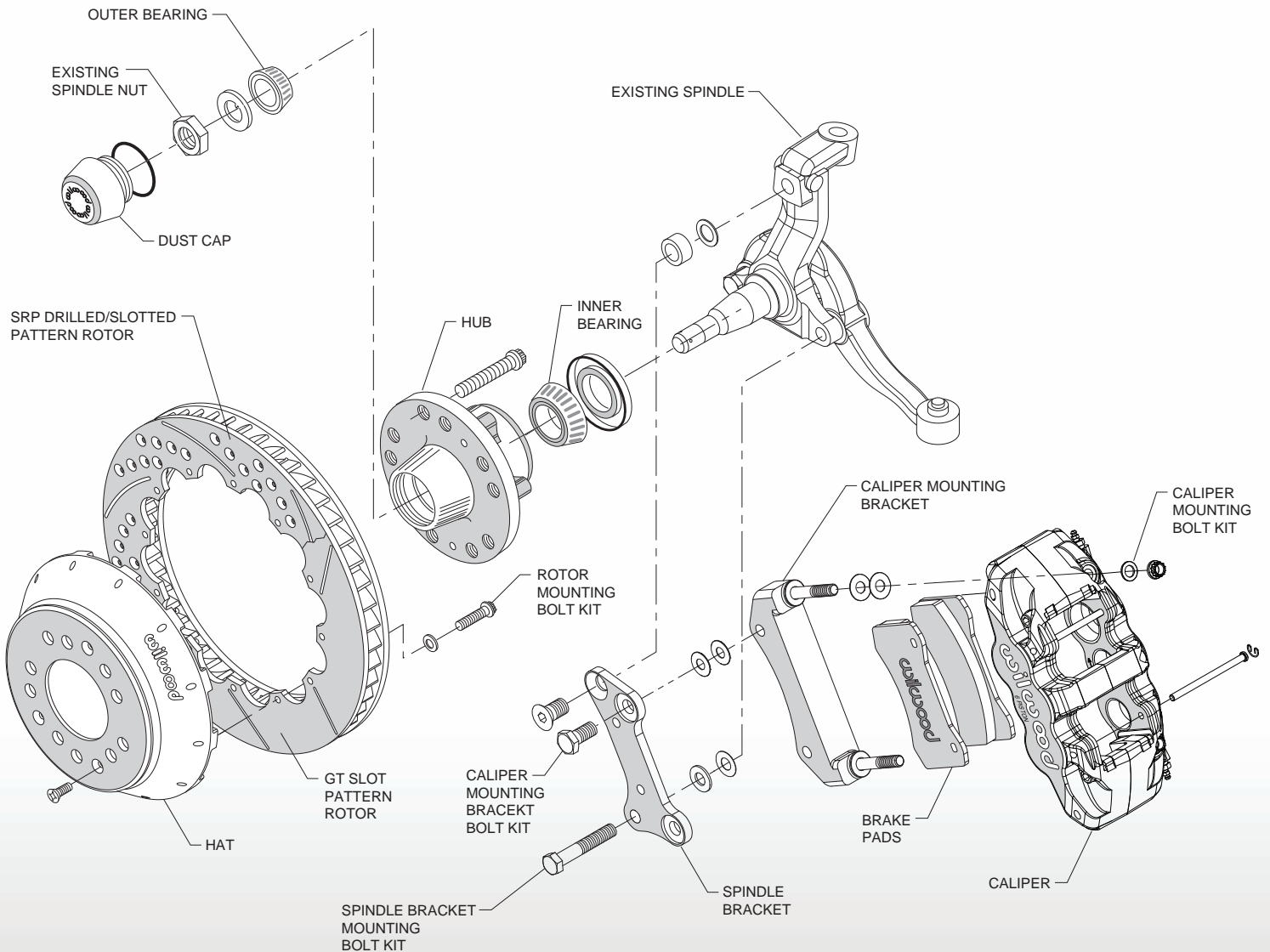


Kit Features



- Aerolite six piston radial mount forged aluminum calipers
- Choice of GT or SRP directional vane **Spec37** alloy rotors in 15" diameter ⁽¹⁾
- BP-20 metallic – composite compound **SmartPads** in the GT kits and BP-10 in the SRP kits
- Forged hubs and hats are strong, lightweight and stylish
- Works with either manual or power brake systems
- DOT approved stainless steel braided flexlines are available and can be ordered separately
- Thermlock® pistons and race compound pads available for dedicated track vehicles
- Calipers available in gloss red or black powder coat finish
- Fully bolt-on kit complete with all the necessary hardware and a detailed installation guide

(1) Wilwood always recommends checking www.wilwood.com for complete year/make/model application data and specific wheel clearance requirements



PLEASE CHECK: WILWOOD ALWAYS RECOMMENDS CHECKING www.wilwood.com FOR COMPLETE YEAR/MAKE/MODEL APPLICATION DATA AND SPECIFIC WHEEL CLEARANCE REQUIREMENTS.

ORDERING INFORMATION: Complete Front Brake Kits for early Camaro / Nova / Chevelle

PART NUMBER	DESCRIPTION	CALIPER FINISH
140-15053	Aerolite 6R Calipers, 15.00" Spec37 GT Competition Series Rotors	Black Powder Coat
140-15053-D	Aerolite 6R Calipers, 15.00" Spec37 SRP Drilled and Slotted Rotors	Black Powder Coat
140-15053-R	Aerolite 6R Calipers, 15.00" Spec37 GT Competition Series Rotors	Red Powder Coat
140-15053-DR	Aerolite 6R Calipers, 15.00" Spec37 SRP Drilled and Slotted Rotors	Red Powder Coat