



CADILLAC ESCALADE • 2002-2016 TACTICAL XTREME TX6R BIG BRAKE FRONT KITS

Tactical Xtreme TX6R

brake systems for the Cadillac Escalade provide unmatched capacity and durability for all types of high-demand highway, towing, hauling, off-road and extreme-duty applications.

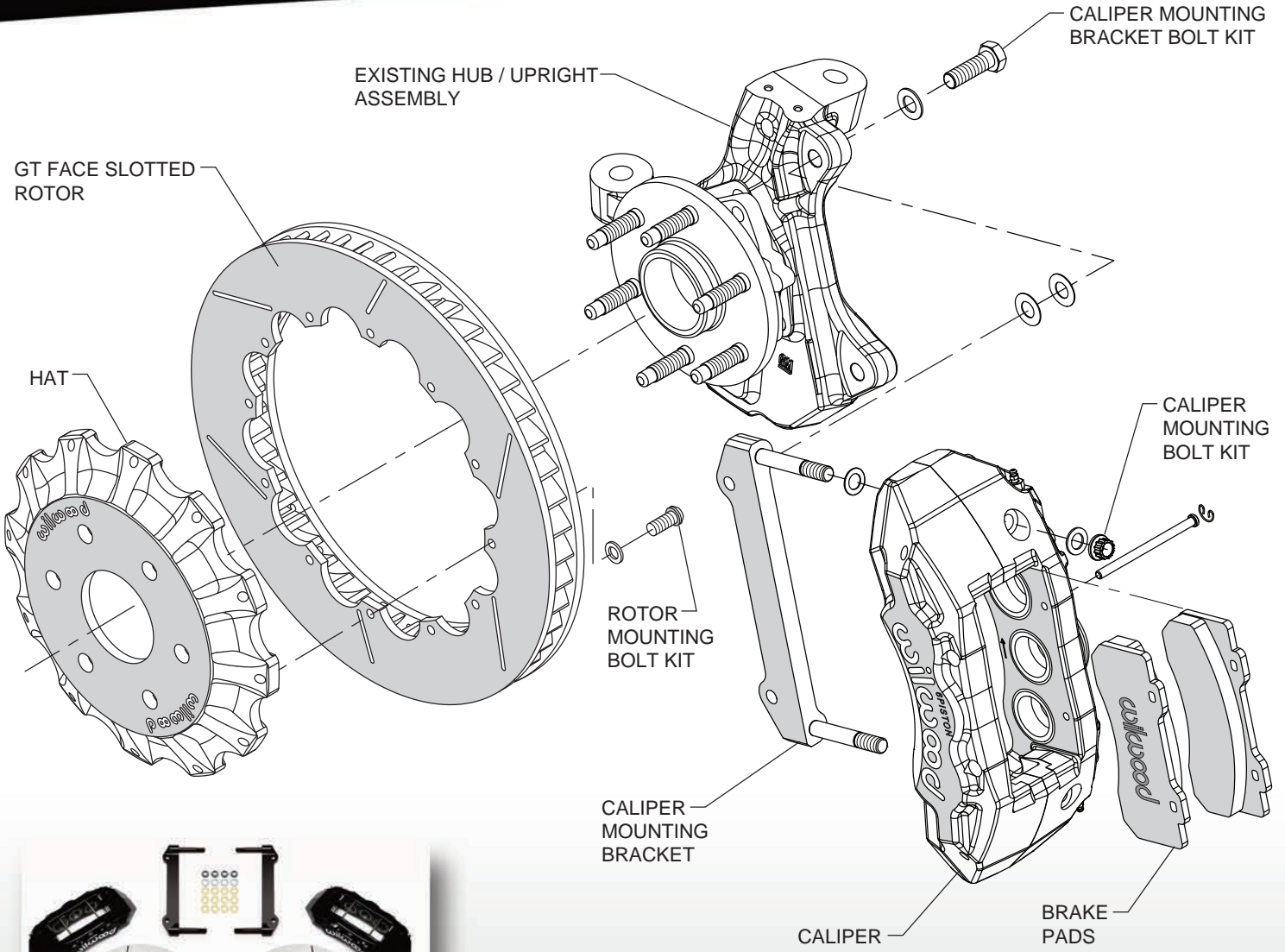


Kit Features



- Forged aluminum calipers with six stainless steel pistons and high-temp internal bore seals
- Available in our signature gloss black, competition red and 22 additional color options
- Big diameter 16.00" by 1.38" thick extreme duty **Spec37** alloy directional vane rotors
- BP-20 metallic-composite formula high response, driver and rotor friendly *SmartPads*
- Based on systems originally developed for tactical and armored vehicle applications
- Fully compatible with factory master cylinder output and all ABS system controls

Notes: Check www.wilwood.com for complete year/make/model application data and specific wheel clearance requirements.
Stainless steel braided flexline kits are required for installation and must be ordered separately by specific vehicle year, make and model.



PLEASE CHECK: WILWOOD ALWAYS RECOMMENDS CHECKING www.wilwood.com FOR COMPLETE YEAR/MAKE/MODEL APPLICATION DATA AND SPECIFIC WHEEL CLEARANCE REQUIREMENTS.

ORDERING INFORMATION: Front Brake Kits for 2002-2106 Cadillac Escalade

PART NUMBER	DESCRIPTION	CALIPER FINISH
140-13876	Tactical Xtreme TX6R Caliper, 16.00" Spec37 GT Competition Series Rotor	Black Powder Coat
140-13876-R	Tactical Xtreme TX6R Caliper, 16.00" Spec37 GT Competition Series Rotor	Red Powder Coat
220-8998	Flexline Kit, 2002-2006 Models, Stainless Steel Braided, DOT Compliant	—
220-10979	Flexline Kit, 2007-2016 Models, Stainless Steel Braided, DOT Compliant	—