

**DISC BRAKES**  
**wilwood**

**FORD F-100 TRUCK**  
1957-1972  
**DYNAPRO 6A CLASSIC SERIES**  
**FRONT DISC BRAKE KIT**

**DYNAPRO 6A CLASSIC SERIES** front disc brake kits provide an affordable, easy bolt-on solution to improve driving comfort, confidence and overall brake performance for these classic-era trucks.



**KIT FEATURES**

- Dynapro 6A forged aluminum six piston calipers with internal bore seals and stainless steel pistons
- Available in black or red powder coat plus 22 other color options
- BP-10 high-performance street compound *SmartPads*
- Durable 11.75" x 1.10" precision machined, certified alloy vented iron rotors with integrated hub
- Easy bolt-on installation using the original drum brake spindles
- Fits most 15" and larger wheels with 5 x 4.50" or 5 x 5.50" lugs
- Can be used on both manual or power assist systems with the appropriate-size master cylinder
- Kits include caliper brackets, bearings, seals and hardware to attach the brakes to the spindle
- New flexline kits are required and must be ordered separately



Note: Check [www.wilwood.com](http://www.wilwood.com) for complete year/make/model application data and specific wheel clearance requirements.

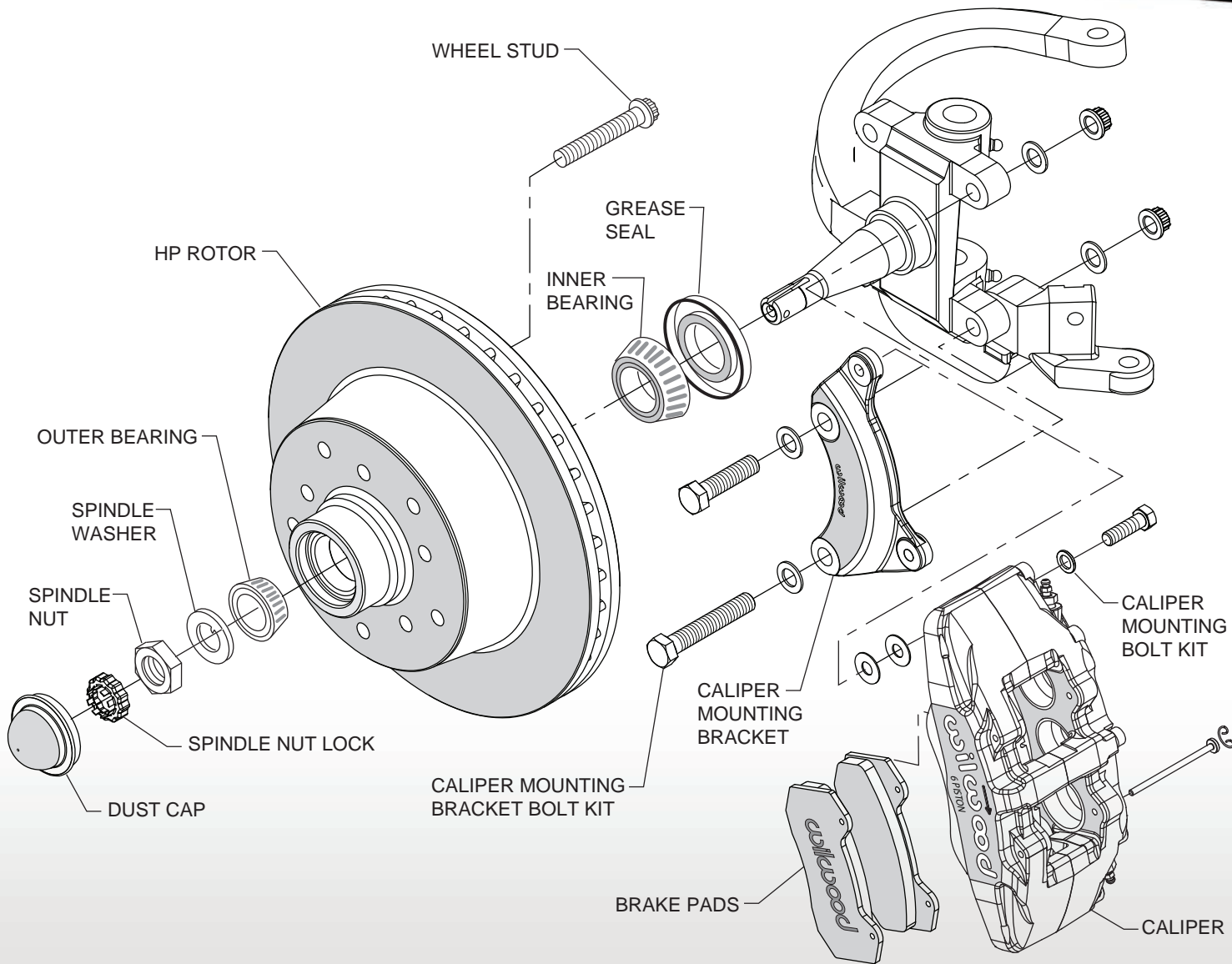


Figure 1. Typical Installation Diagram

PLEASE CHECK: WILWOOD ALWAYS RECOMMENDS CHECKING [www.wilwood.com](http://www.wilwood.com) FOR COMPLETE YEAR/MAKE/MODEL APPLICATION DATA AND SPECIFIC WHEEL CLEARANCE REQUIREMENTS.

### ORDERING INFORMATION: Front Classic Series Brake Kit for 1957 - 1972 F-100 Trucks

PART NUMBER	DESCRIPTION	CALIPER FINISH
<a href="#">140-14607</a>	1957-1967 F-100, DynaPro 6A Calipers, 11.75" Diameter One-Piece HP Plain Face Rotors	Black Powder Coat
<a href="#">140-14607-R</a>	1957-1967 F-100, DynaPro 6A Calipers, 11.75" Diameter One-Piece HP Plain Face Rotors	Red Powder Coat
<a href="#">140-14614</a>	1968-1972 F-100, DynaPro 6A Calipers, 11.75" Diameter One-Piece HP Plain Face Rotors	Black Powder Coat
<a href="#">140-14614-R</a>	1968-1972 F-100, DynaPro 6A Calipers, 11.75" Diameter One-Piece HP Plain Face Rotors	Red Powder Coat