



DUAL BILLET DYNALITE REAR AXLE DRAG KIT

Kit Features:

Wilwood's Dual Billet Dynalite rear axle brake kit utilizes four of our time proven Billet Dynalite calipers, aircraft alloy disc brake hats and lightweight steel rotors to provide unsurpassed braking power. Racers can now enjoy plenty of stopping power, combined with the extended component life provided by the reduced stress loads and lower operating temperatures of the Dual Billet Dynalite System.

- Stop Faster
- Stop Smoother
- Stop Safer
- Proven Performance
- World Class Quality

Kits come complete with everything necessary for an easy installation, including mounting brackets, hardware, and Polymatrix 15D brake pads.

Comprehensive installation instructions are included with every kit to ensure an easy bolt-on installation.



Dual Billet Dynalite Rear Axle Drag Kit
(Shown with Drilled Rotors)

Note:

If you already own a Dynalite II equipped disc brake kit, we have single to dual conversion kits available which includes a pair of Dynalite II calipers, 15D Polymatrix Pads, mounting brackets and additional hardware.

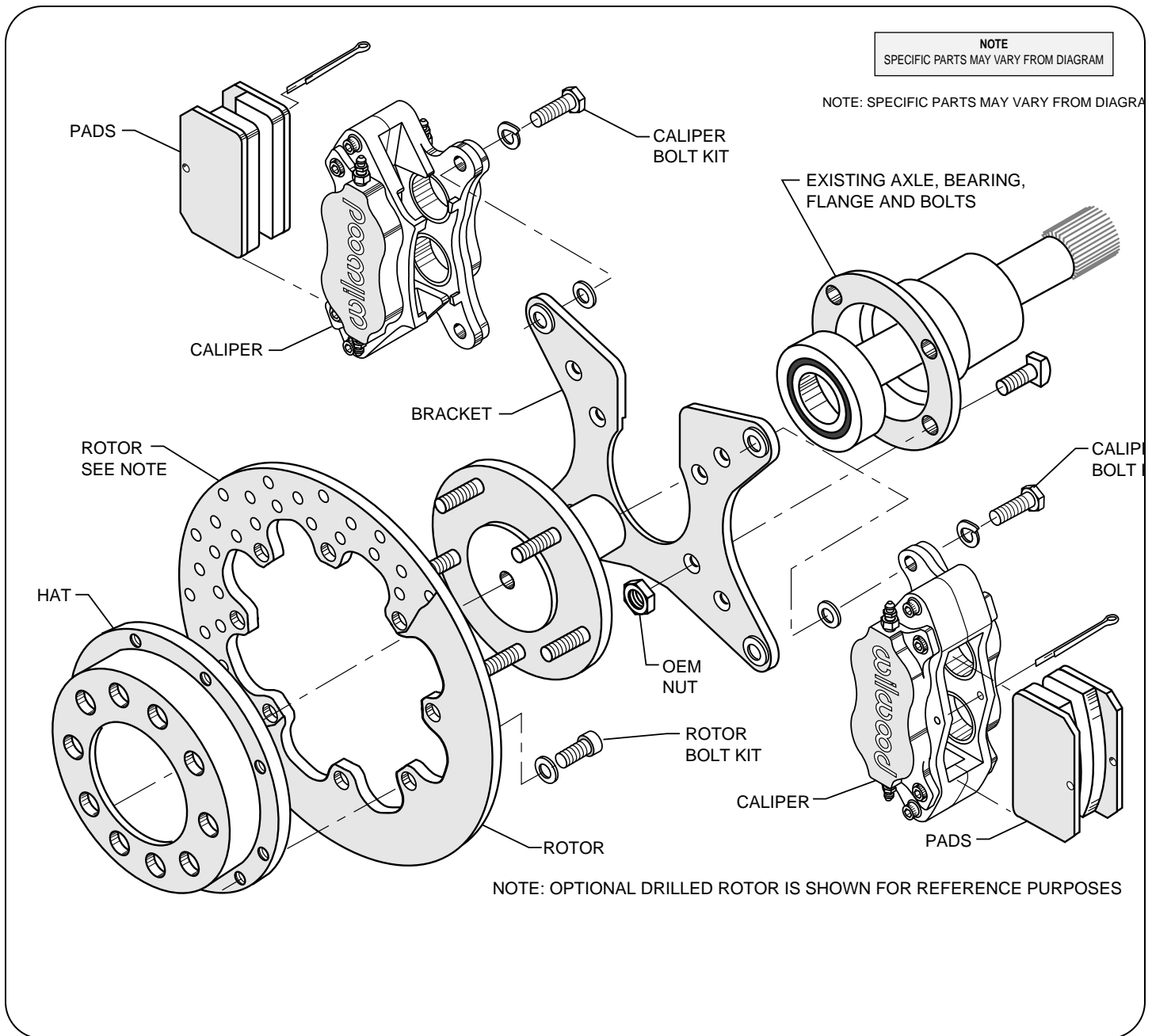
ORDERING INFORMATION:

<u>DESCRIPTION</u>	<u>OFFSET</u>	<u>PART NUMBER</u> ⁽¹⁾
Oldsmobile / Pontiac for .50" studs	2.91"	140-5365
Lamb / M. W. Rear End for .50" studs	2.81"	140-5366
Big Ford for .50" studs	2.36"	140-5367
Oldsmobile / Pontiac for .69" studs	2.91"	140-5368
Lamb / M. W. Rear End for .69" studs	2.81"	140-5369

ORDERING INFORMATION (Conversion Kits):

<u>DESCRIPTION</u>	<u>PART NUMBER</u>
Oldsmobile / Pontiac Dual Dynalite II Conversion Kit	140-5492
Lamb / M. W. Rear End Dual Dynalite II Conversion Kit	140-5493
Big Ford Dual Dynalite II Conversion Kit	140-5494

NOTE: (1) AVAILABLE WITH DRILLED ROTORS. ADD -D TO PART NUMBER WHEN ORDERING.



Dual Billet Dynalite Rear Axle Drag Brake Kit, Typical Installation Configuration, Major Components Identified

ORDERING INFORMATION: USER SERVICEABLE COMPONENTS, PART NUMBER:

KIT PART NO.	CALIPER	ROTOR	HAT	PAD	BRACKET KIT (PAIR)	ROTOR BOLT KIT	CALIPER BOLT KIT	INSTALLATION SHEET
140-5365	120-4993	160-0201	170-0208	15D-4331	250-5362	230-0233D	230-0204	DS-274
140-5366	120-4993	160-0201	170-0208	15D-4331	250-5363	230-0233D	230-0204	DS-275
140-5367	120-4993	160-0201	170-0208	15D-4331	250-5364	230-0233D	230-0204	DS-276
140-5368	120-4993	160-0201	170-5244	15D-4331	250-5362	230-0233D	230-0204	DS-277
140-5369	120-4993	160-0201	170-5244	15D-4331	250-5363	230-0233D	230-0204	DS-278