

## GM III CALIPER

### Caliper Highlights:

Wilwood's **GM III** caliper represents the latest refinements in caliper design and manufacturing through use of solid modeling and stress simulation programs. The result is the most rigid, highest torque, lightweight aluminum caliper in its class.

The real strength comes from its exclusive triple bridge configuration which provides a tremendous increase in clamping force over other twin bridge calipers. Efficient designs further maximize weight savings: Material is properly placed to fortify all load bearing points. Each caliper model has its own unique casting: 2.38" diameter piston calipers incorporate a smaller external contour than the larger 2.75" diameter piston calipers. Any material that did not contribute to strength, was eliminated for weight reduction, resulting in a caliper that weighs just over three pounds.



**GM III Caliper**

To Download High Resolution Photo, [Click Here](#)

The GM III incorporates standard Wilwood features like stainless steel pistons for increased fluid protection and high temperature seals for controlled retraction which provides improved driver feel.

These tight grained, high density aircraft alloy aluminum castings are fully machined, assembled and tested in-house by fully trained technicians at Wilwood to assure top quality and peak performance.

### ORDERING INFORMATION:

<u>BORE SIZE</u>		<u>DISC WIDTH</u>		<u>PART NUMBER</u> <sup>(1)</sup>
2.75"	69,8 mm	1.25"	31,8 mm	120-5289
2.75"	69,8 mm	1.00"	25,4 mm	120-5861
2.75"	69,8 mm	.81"	20,6 mm	120-5288
2.38"	60,4 mm	1.25"	31,8 mm	120-5344
2.38"	60,4 mm	.81"	20,6 mm	120-5343

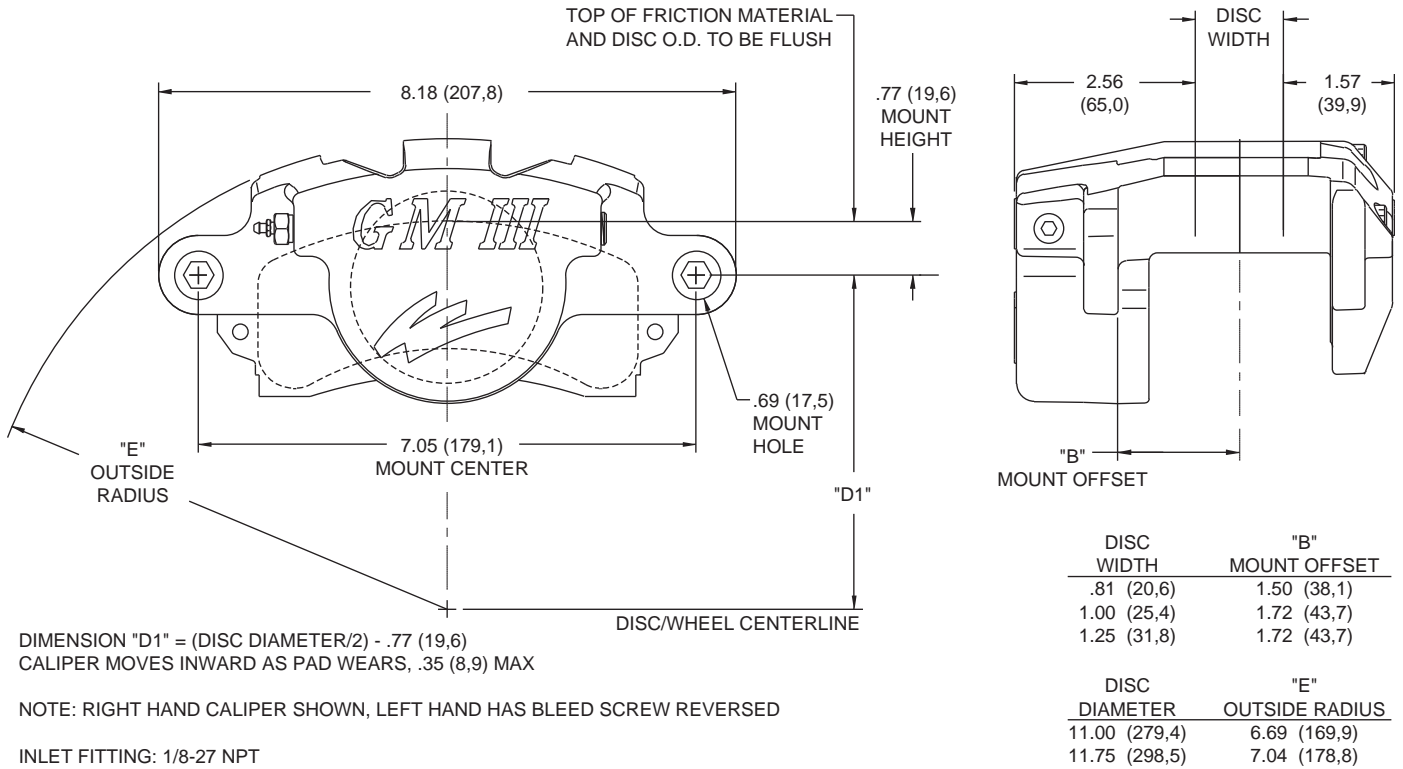
NOTE:

(1) PART NUMBERS ARE THE SAME FOR BOTH LEFT AND RIGHT HAND, SPECIFY WHEN ORDERING.

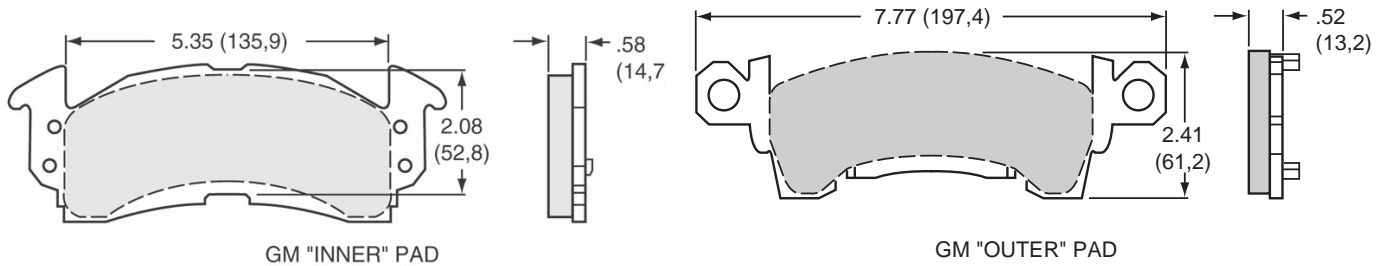
### ORDERING INFORMATION: USER SERVICEABLE COMPONENTS:

<u>ASSEMBLY</u>	<u>INBOARD BODY</u>	<u>OUTBOARD BODY</u>	<u>PISTON</u>	<u>BLEED SCREW KIT (4 PK)</u>	<u>O-RING KIT (4 PK)</u>
120-5288	110-5285	110-5286	200-6633 (2.75")	220-0627	130-4955
120-5289	110-5285	110-5287	200-6633 (2.75")	220-0627	130-4955
120-5343	110-5342	110-5286	200-1119 (2.38")	220-0627	130-4956
120-5344	110-5342	110-5287	200-1119 (2.38")	220-0627	130-4956
120-5861	110-5857	110-5858	200-6633 (2.75")	220-0627	130-4955

## GM III CALIPER, MOUNTING DIMENSIONS



## GM III CALIPER, TYPE D52 PAD DIMENSIONS AND ORDERING INFORMATION:



### AXLE SET PART NO.

15A - 5737K  
 15B - 3994K  
 15C - 4419K  
 15E - 6102K  
 15H - 8232K  
 15Q - 6830K  
 150 - 8939K  
 150 - 9421K  
 150 - 9866K  
 150 - 12249K

### PAD TYPE / COMPOUND

D52 A PolyMatrix  
 D52 B PolyMatrix  
 D52 C PolyMatrix  
 D52 E PolyMatrix  
 D52 H PolyMatrix  
 D52 Q PolyMatrix  
 D52 10 BP-10 Smart Pad  
 D52 20 BP-20 Smart Pad  
 D52 30 BP-30 Smart Pad  
 D52 40 BP-40 Smart Pad