



BILLET NDL RADIAL MOUNT CALIPER

Caliper Highlights:

Wilwood's Billet Narrow Mount Dynalite (NDL) Radial Mount caliper series continues to grow in popularity over a wide range of racing and high performance applications. This compact and lightweight proven performer is now available in a radial mount configuration. The BNDLR calipers can be directly mounted over studs, or used with a radial mount bracket kit in place of a tab mount caliper.



The Billet NDLR caliper is a compact, lightweight, and rugged caliper that provides strong clamping force from four 1.75" stainless cup pistons. The bodies are fully CNC machined from billet with internal fluid ports that eliminate external fluid tubes. Each caliper is equipped with four corner bleeds to accommodate mounting in all positions. The bridges are equipped with stainless steel anti-rattle wear plates. These plates reduce bridge wear and provide smooth, rattle free operation of the pads. A center bridge bolt adds overall caliper strength and positive retention of the top loaded pads.

All BNDLR calipers are designed for long service using the 16mm thick 7216 style brake pads. These pads are available in seven different PolyMatrix compounds to provide the correct brake torque and heat range for any high performance or competition application.

Radial mount bracket kits are used to install a radial mount caliper in place of a tab mount caliper. NDLR brackets use the popular 3.5" mount pattern found on Wilwood SL, NDL, and many other popular racing calipers. On applications where the tab mount bolts are difficult to access, radial mounting can drastically simplify service in the field. Radial brackets also provide two planes of adjustment for precise alignment over the disc.

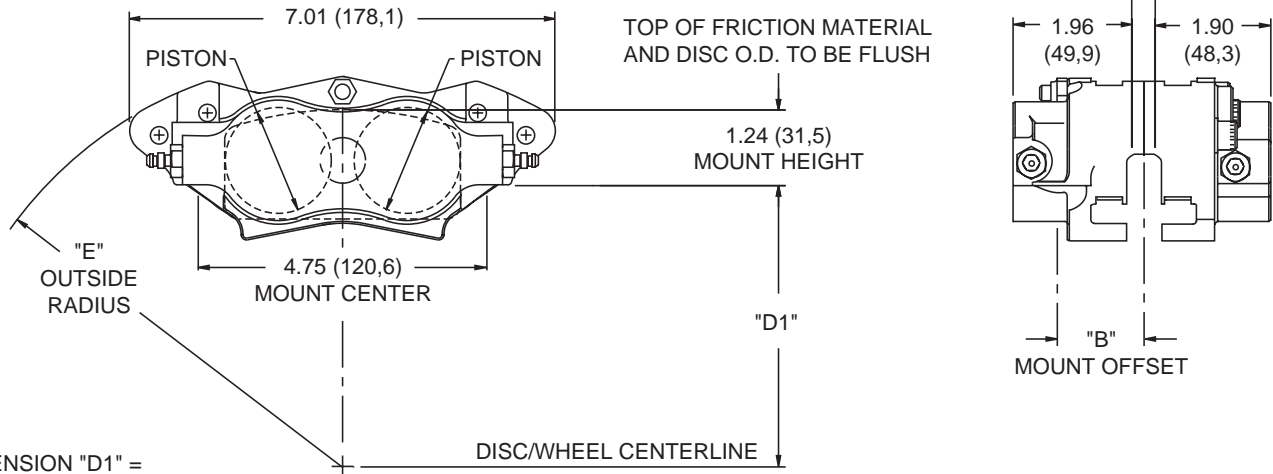
ORDERING INFORMATION:

BORE SIZE		DISC WIDTH		PART NUMBER
1.75"	44,5 mm	1.25"	31,8 mm	120-6456
1.75"	44,5 mm	1.00"	25,4 mm	120-6455
1.75"	44,5 mm	.81"	20,6 mm	120-6454
1.75"	44,5 mm	.38"	9,7 mm	120-6453

Note:

Also available is a Wilwood 3.50" radial mount bracket to accompany the Billet NDLR when mounting situations warrant. Please order part number 250-6452

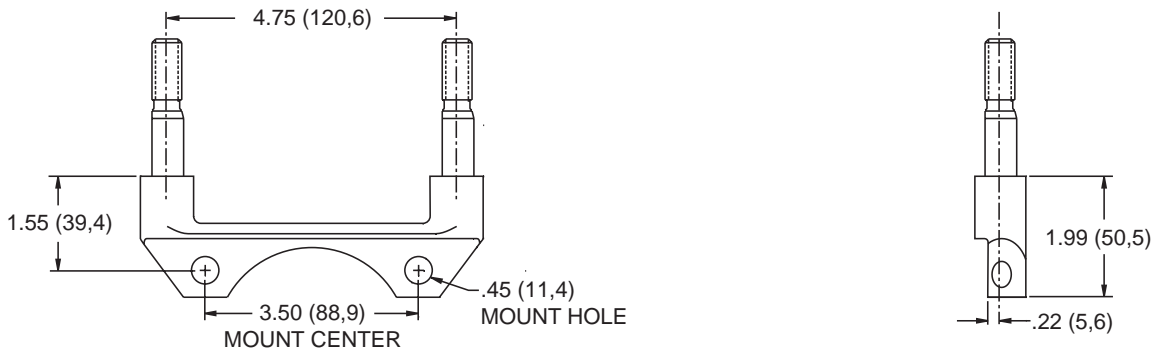
BILLET NDLR MOUNT CALIPER, MOUNTING DIMENSIONS:



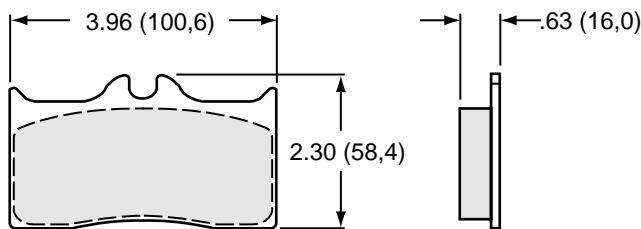
DIMENSION "D1" =
(DISC DIAMETER/2) - 1.24 (31,5)

DISC WIDTH	"B" MOUNT OFFSET	DISC DIAMETER	"E" OUTSIDE RADIUS	"D1" DIMENSION
1.25 (31,8)	1.84 (46,7)	11.75 (298,5)	6.73 (170,9)	4.64 (117,8)
1.00 (25,4)	1.72 (43,7)	12.19 (309,6)	6.93 (176,0)	4.86 (123,3)
.81 (20,6)	1.62 (41,1)	12.72 (323,1)	7.18 (182,4)	5.12 (130,1)
.38 (9,6)	1.40 (35,6)			

TYPICAL BILLET NDL RADIAL MOUNTING BRACKET, MOUNTING DIMENSIONS:



BILLET NARROW MOUNT DYNALITE, TYPE 7216 PAD DIMENSIONS AND ORDERING INFORMATION:



AXLE SET PART NO.	PAD TYPE/COMPOUND
15A - 5769K	7216 A PolyMatrix
15B - 4410K	7216 B PolyMatrix
15C - 4959K	7216 C PolyMatrix
15D - 4449K	7216 D PolyMatrix
15E - 6099K	7216 E PolyMatrix
15Q - 6826K	7216 Q PolyMatrix
15T - 5914K	7216 T PolyMatrix

ORDERING INFORMATION: USER SERVICEABLE COMPONENTS:

ASSEMBLY	INBOARD BODY	OUTBOARD BODY	PISTON	BODY SPACER EACH	BLEED SCREW (4 PK)	ANTI-RATTLE PLATE (4PK)	SQ RING KIT (4 PK)	BODY SEAL
120-6453	110-6434	110-6435	200-3062 (1.75")	—	220-0627	220-5561	130-2655	210-2582
120-6454	110-6434	110-6435	200-3062 (1.75")	300-4919	220-0627	220-5561	130-2655	210-2582
120-6455	110-6434	110-6435	200-3062 (1.75")	300-4919	220-0627	220-5561	130-2655	210-2582
120-6456	110-6434	110-6435	200-3062 (1.75")	300-4919	220-0627	220-5561	130-2655	210-2582