



BILLET SUPERLITE 4R/ST CALIPER

Caliper Highlights:

The **Billet Superlite 4R/ST** is an extremely rigid, four piston, radial mount design that incorporates Wilwood's latest technology in brake system heat management. With its small piston volumes and large pad capacity, it is ideally suited for rear brake applications in severe duty oval track and road course competition.



The BSL4R/ST body is a product of FEA design and stress analysis technology. It is configured for use with 1.25" thick rotors and the substantial pad volume of the 7420 style brake pad. The fully CNC machined, two piece, billet body features a closed bridge with grade 8 thru-bolts. It is the perfect balance between high strength, low deflection, and overall lightweight. Each caliper is fitted with stainless steel bridge plates to reduce wear and provide the smoothest pad operation. A center bridge bolt adds to overall caliper strength and gives easy access to the top loaded pads.

Thermlock® pistons are used to minimize the direct heat transfer from the brake pads. This configuration has been documented to reduce caliper temperatures by more than 30% without the need for fluid recirculation systems. Fluid temperatures are already reduced, seal life is extended, and caliper service life is prolonged with less distortion and reduced wear in the piston bores. Cooler temperatures translate into maximum performance and ultimate reliability over the longest run. Use EXP 600 Plus racing brake fluid to guarantee trouble free performance in all extreme conditions.

BSLR bracket kits are used to install the BSLR4/ST calipers in place of most 3.5" tab mount calipers. Radial mounting simplifies service in the field and the bracket kits provide two planes of adjustment for precise alignment over the disc.

BILLET SUPERLITE 4R/ST

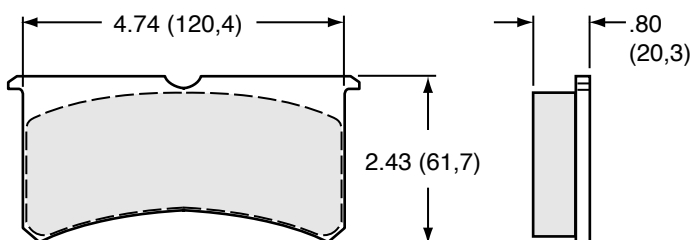
DIFFERENTIAL BORE

BORE SIZE	DISC WIDTH	FRONT MOUNT PART NUMBER		REAR MOUNT PART NUMBER	
		RH	LH	RH	LH
1.38/1.12" 44,5/28,4 mm	1.25" 31,8 mm	120-6541-FS	120-6542-FS	120-6541-RS	120-6542-RS
1.25/1.12" 31,8/28,4 mm	1.25" 31,8 mm	120-6543-FS	120-6544-FS	120-6543-RS	120-6544-RS
1.25/1.00" 31,8/25,4 mm	1.25" 31,8 mm	120-6545-FS	120-6546-FS	120-6545-RS	120-6546-RS
1.12/1.00" 28,4/25,4 mm	1.25" 31,8 mm	120-6547-FS	120-6548-FS	120-6547-RS	120-6548-RS

NON-DIFFERENTIAL BORE

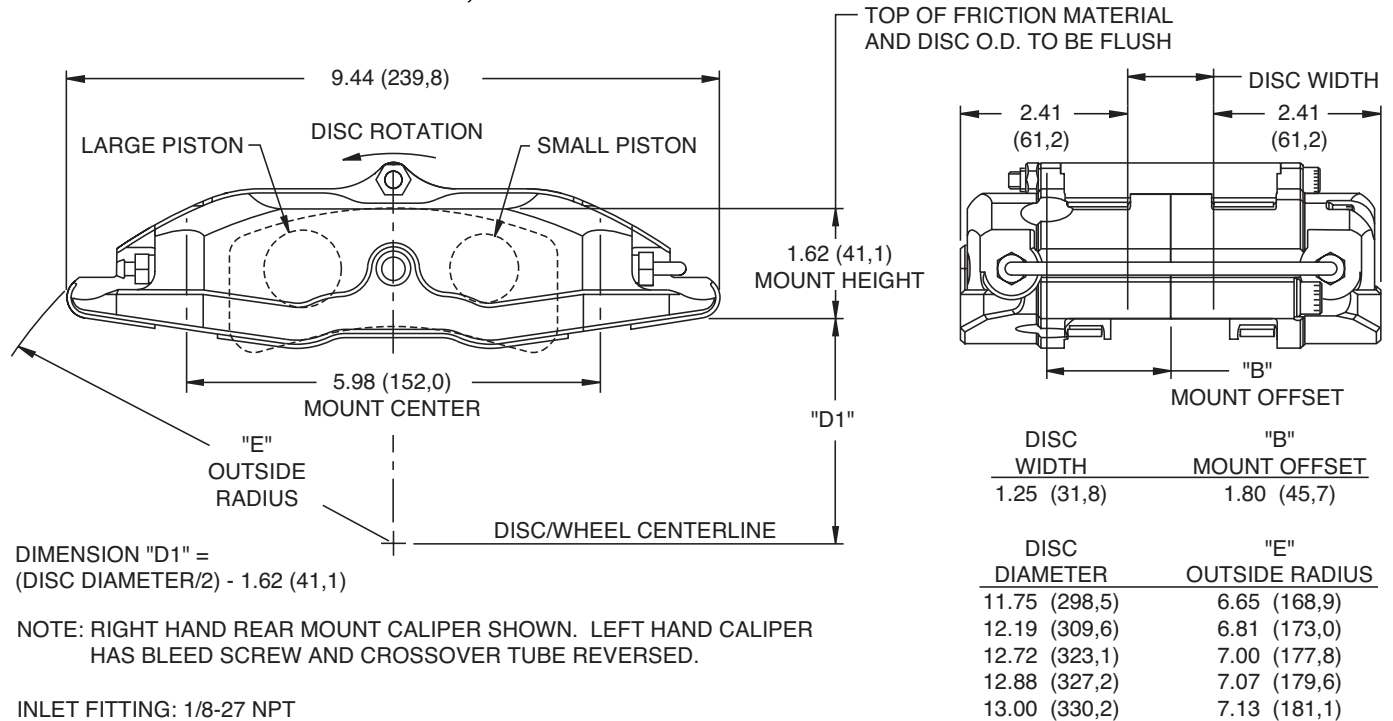
BORE SIZE	DISC WIDTH	PART NUMBER
1.00" 25,4 mm	1.25" 31,8 mm	120-6549-L/R

SUPERLITE 4R/ST CALIPER, TYPE 7420 PAD DIMENSIONS AND ORDERING INFORMATION:

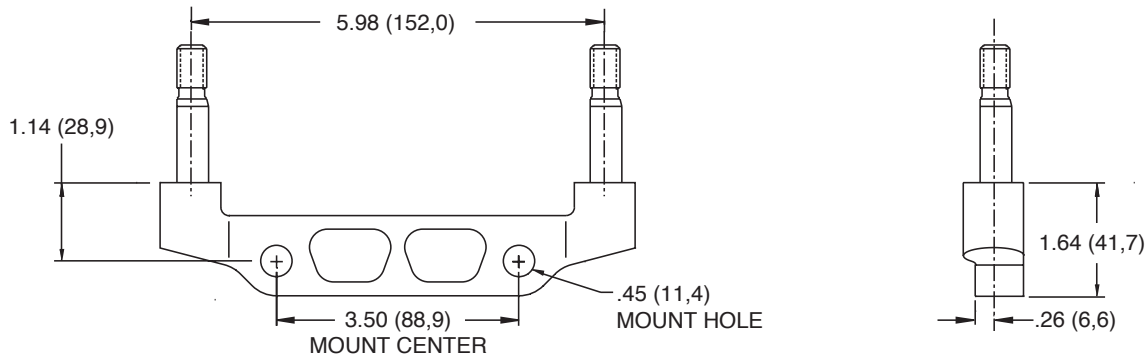


AXLE SET PART NO.	PAD TYPE/COMPOUND
15A - 5938K	7420 A PolyMatrix
15C - 6853K	7420 C PolyMatrix
15J - 6443K	7420 J PolyMatrix

BILLET SUPERLITE 4R/ST CALIPER, MOUNTING DIMENSIONS:



TYPICAL MOUNTING DIMENSIONS, BSL4R BRACKET KIT, P/N 250-6309:



NOTE: BRACKET KIT INCLUDED STUDS, LOCKNUTS, WASHERS AND ALIGNMENT SHIMS

BILLET SUPERLITE 4R/ST ORDERING INFORMATION: USER SERVICEABLE COMPONENTS:

ASSEMBLY	INBOARD BODY	OUTBOARD BODY	THERMLOCK PISTON	PAD WEAR PLATES	CROSSOVER TUBE KIT (4 PK)	BLEED SCREW KIT (4 PK)	BRIDGE BOLT KIT	SQ RING KIT (6 PK)
120-6541-FS/RS	110-6523	110-6524	200-5407 (1.38") 200-5415 (1.12")	300-5922/23	190-5975	220-6069	230-5976	130-5972
120-6542-FS/RS	110-6525	110-6526	200-5407 (1.38") 200-5415 (1.12")	300-5922/23	190-5975	220-6069	230-5976	130-5972
120-6543-FS/RS	110-6527	110-6528	200-5411 (1.25") 200-5415 (1.12")	300-5922/23	190-5975	220-6069	230-5977	130-5972
120-6544-FS/RS	110-6529	110-6530	200-5411 (1.25") 200-5415 (1.12")	300-5922/23	190-5975	220-6069	230-5977	130-5972
120-6545-FS/RS	110-6531	110-6532	200-5411 (1.25") 200-5419 (1.00")	300-5922/23	190-5975	220-6069	230-5978	130-5972
120-6546-FS/RS	110-6533	110-6534	200-5411 (1.25") 200-5419 (1.00")	300-5922/23	190-5975	220-6069	230-5978	130-5972
120-6547-FS/RS	110-6535	110-6536	200-5415 (1.12") 200-5419 (1.00")	300-5922/23	190-5975	220-6069	230-5978	130-5972
120-6548-FS/RS	110-6537	110-6538	200-5415 (1.12") 200-5419 (1.00")	300-5922/23	190-5975	220-6069	230-5978	130-5972
120-6549-L/R	110-6539	110-6540	200-5419 (1.00")	300-5922/23	190-5975	220-6069	230-5978	130-5972