

DYNALITE CLASSIC Brake kits for Full Size FORD, MERCURY, T-BIRD and EDSEL

Forged Dyalite Classic front brake kits combine time-proven technology with contemporary styling to deliver modern brake performance to your...

- ✓ 1957 - 1968 Full Size Ford & Mercury
- ✓ 1958 - 1960 Ford Thunderbird
- ✓ 1959 - 1960 Edsel



KIT FEATURES:

- Complete bolt-on installation using Wilwood one-piece hub, rotor and mounting brackets
- Fits all original equipment drum brake spindles and 1965 model disc brake spindles
- Works with manual or power brakes

CALIPERS: DYNALITE-M

- Rigid forged aluminum Dyalite-M four piston calipers with weights starting at 2.80 pounds
- Type III hard-anodized surfaces resist bore wear, and abrasion for extended service life
- Available in gloss red or black powder coat, or 22 additional colors (additional charges apply)



ROTORS:

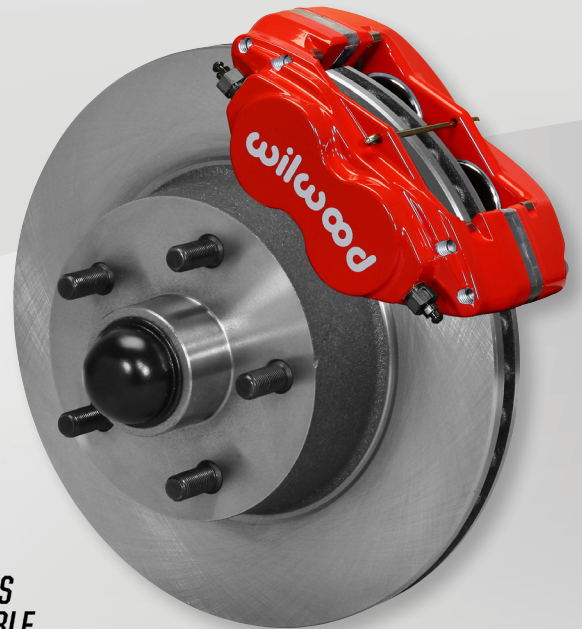
- 11.30" x .94" vented iron HP smooth face or SRP drilled and slotted 1-piece hub and rotor

BRAKE PADS: BP-10

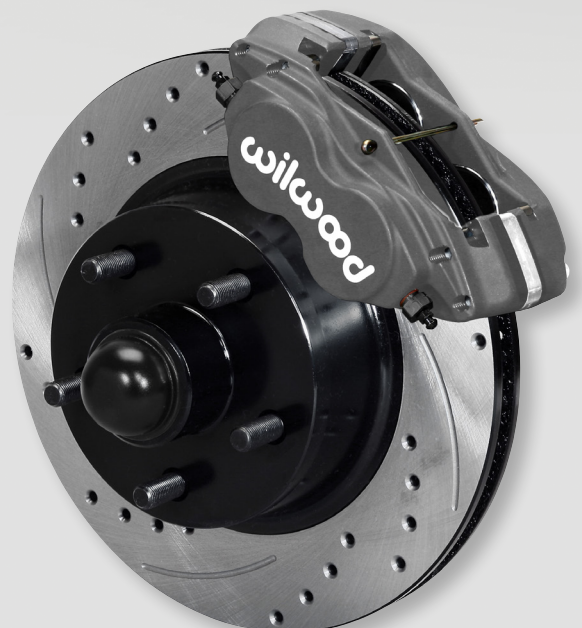
- BP-10 SmartPads provide good response at low temperature and resist fading as heat increases
- Formulated for lower dust and noise

INSTALLATION PARTS:

- Caliper brackets, and all premium-grade hardware for installation are included
- Braided stainless steel Flexline kit required for Y/M/M

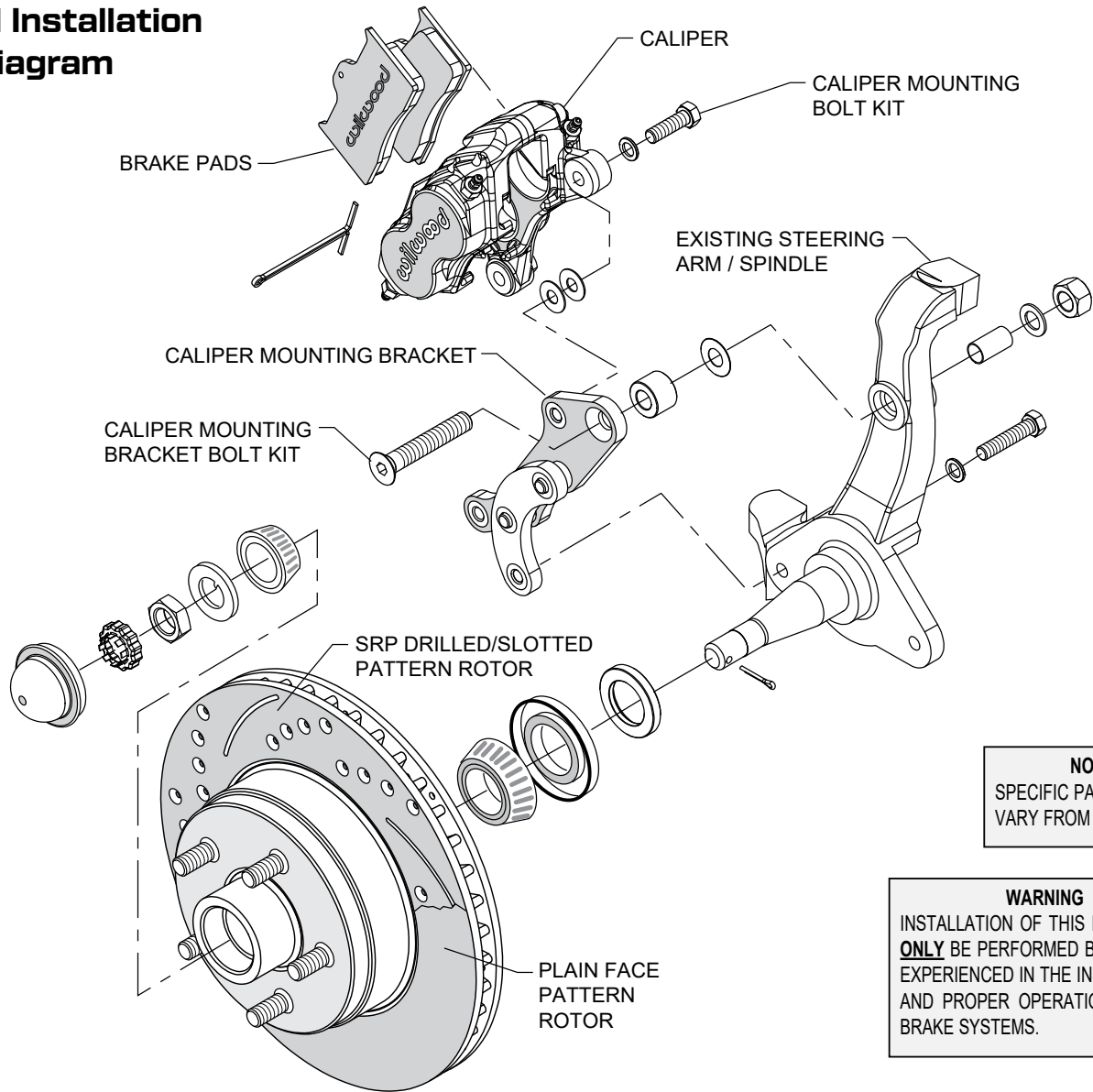


Dyalite-M Four Piston Brake Kit
HP Plain Face Rotor
P/N [140-13653-R](#)



Dyalite-M Four Piston Brake Kit
SRP Drilled and Slotted Rotor
P/N [140-13653-D](#)

Typical Installation Diagram



NOTE
SPECIFIC PARTS MAY
VARY FROM DIAGRAM

WARNING
INSTALLATION OF THIS KIT SHOULD
ONLY BE PERFORMED BY PERSONS
EXPERIENCED IN THE INSTALLATION
AND PROPER OPERATION OF DISC
BRAKE SYSTEMS.

ORDERING INFORMATION: PH: 805.388.1188 • FAX: 805.388.4938 • wilwood.com • info@wilwood.com

PART NUMBER	DESCRIPTION
140-13653	Kit, Dynalite-M Front Type III Anodized Calipers, HP 1-Piece Plain Face Rotors 11.30" x .94", BP-10 SmartPads
140-13653-D	Kit, Dynalite-M Front Type III Anodized Calipers, SRP 1-Piece Drilled & Slotted Rotors 11.30" x .94", BP-10 SmartPads
140-13653-DR	Kit, Dynalite-M Front Red Powder Coat Calipers, SRP 1-Piece Drilled & Slotted Rotors 11.30" x .94", BP-10 SmartPads
140-13653-R	Kit, Dynalite-M Front Red Powder Coat Calipers, HP 1-Piece Plain Face Rotors 11.30" x .94", BP-10 SmartPads