

### SUPERLITE FRONT DISC BRAKE KIT

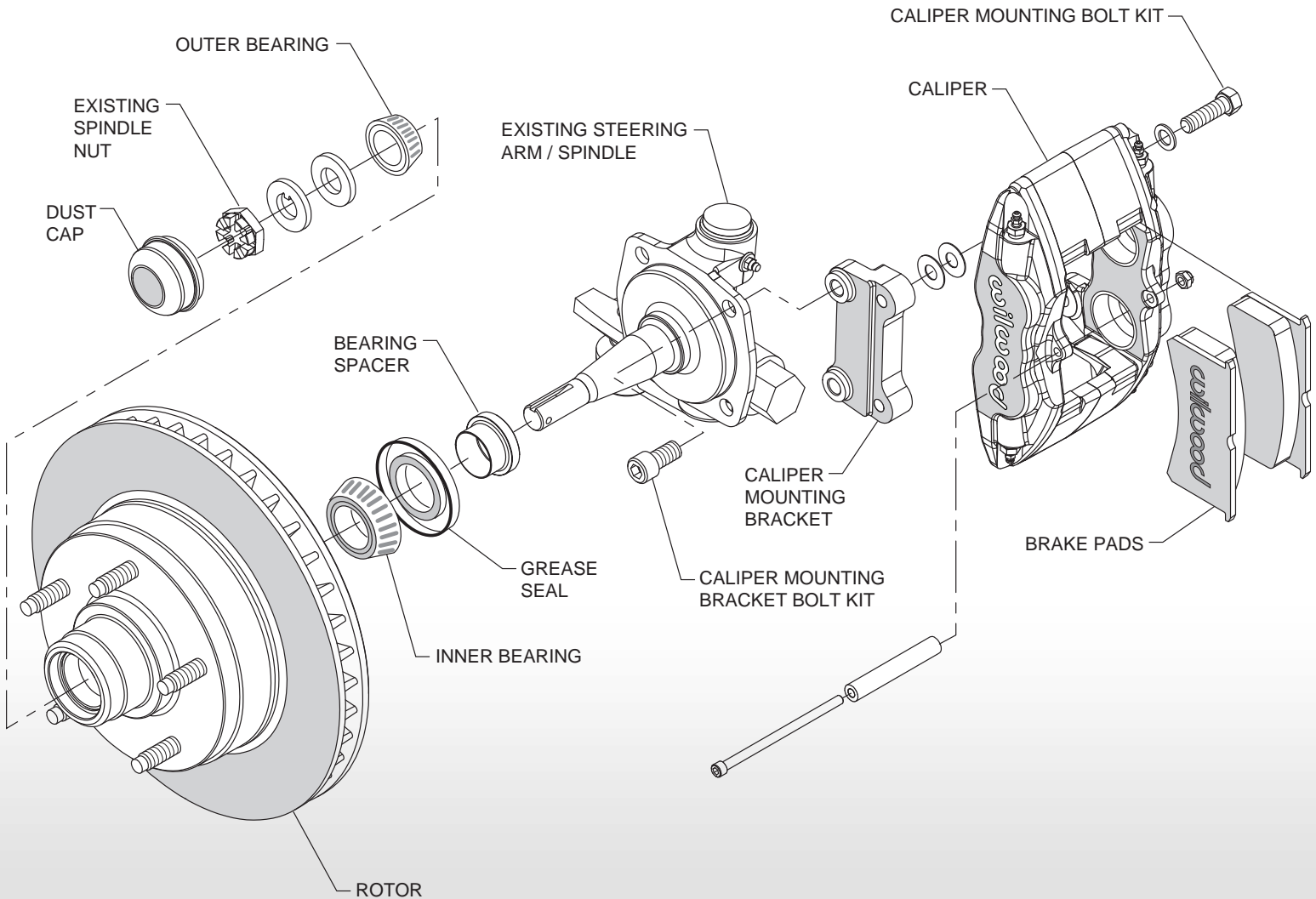
#### CLASSIC SERIES SUPERLITE

Front brake kit for 1948-1956 Ford F-100 trucks provide an affordable and easy bolt-on solution for upgrading from Original Equipment (OE) drum brakes on these classic year trucks.

- Forged Superlite black anodized four piston aluminum calipers with stainless steel pistons
- Durable 11.72" x 1.19" vented rotor with intergrated hub and precision smooth face finish
- Can be used manual or with a power booster and matched output master cylinders
- Kit includes BP-10 *SmartPads*, bearings, seals, brackets, all the necessary hardware and a detailed installation guide
- Fits OE drum spindles with most 15" and larger wheels
- Improves driving comfort, confidence and overall stopping performance



# SUPERLITE FRONT DISC BRAKE KIT



**PLEASE CHECK:** WILWOOD ALWAYS RECOMMENDS CHECKING [WWW.WILWOOD.COM](http://www.wilwood.com) FOR COMPLETE YEAR/MAKE/MODEL APPLICATION DATA AND SPECIFIC WHEEL CLEARANCE REQUIREMENTS

### ORDERING INFORMATION: Front Brake Kit for 1948-1956 Ford F-100 Trucks

| PART NUMBER               | DESCRIPTION  | CALIPER FINISH |
|---------------------------|--|----------------|
| <a href="#">140-14190</a> | Front brake kit, Superlite Calipers, 11.72" Diameter One-Piece Plain Face Rotors | Hard Anodized  |
| <a href="#">220-7056</a>  | Stainless Steel Braided Flexline Kit, 3/8-24 to 90 Degrees Universal, 14 inch    | n/a            |
| <a href="#">220-7699</a>  | Stainless Steel Braided Flexline Kit, 3/8-24 to 90 Degrees Universal, 16 inch    | n/a            |
| <a href="#">220-8307</a>  | Stainless Steel Braided Flexline Kit, 3/8-24 to 90 Degrees Universal, 18 inch    | n/a            |