

**FORGED DYNALITE CLASSIC SERIES
FRONT BRAKE KITS** for the 1974-1980
Ford Pinto / Mustang II disc brake
spindle combine time-proven
technology with contemporary
styling to deliver
modern brake
performance
for the street
or show.

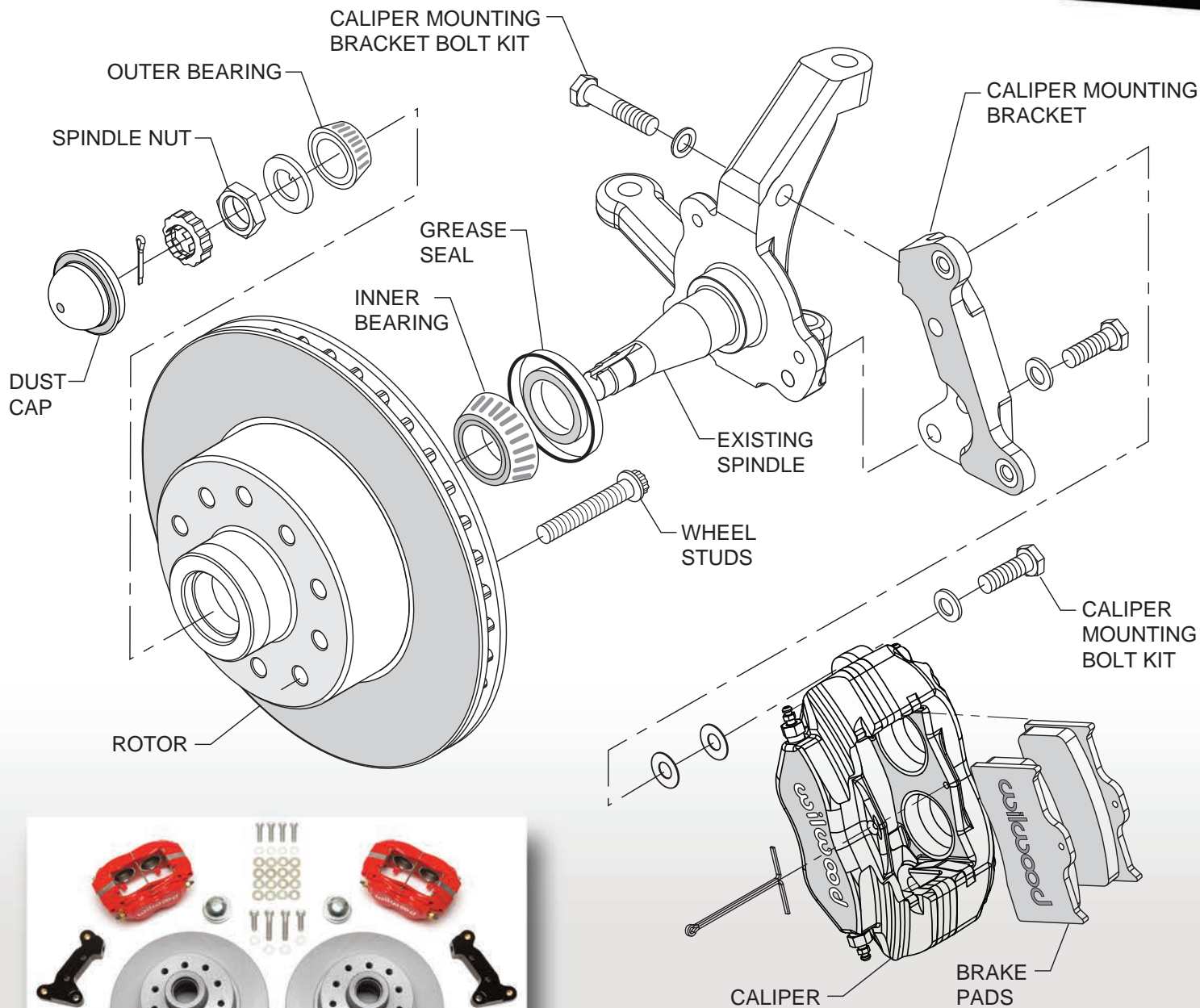


KIT FEATURES



- Forged Dynalite four piston aluminum calipers with stainless steel pistons and BP-10 metallic - composite compound *SmartPads*
- Calipers are available in black anodized, red powder coat or 22 additional color options
- Durable 11.00" x 0.88" dual 5 x 4.50" / 5 x 4.75" stud pattern one-piece certified alloy HP hub and rotor
- Can be used manual or with a power booster and matched output master cylinders
- Fits most Original Equipment 14" disc brake wheels
- Complete kits include bearings, seals, brackets, all hardware and a detailed instruction guide

Note: Check www.wilwood.com for complete year/make/model application data and specific wheel clearance requirements.



PLEASE CHECK: WILWOOD ALWAYS RECOMMENDS CHECKING www.wilwood.com FOR COMPLETE YEAR/MAKE/MODEL APPLICATION DATA AND SPECIFIC WHEEL CLEARANCE REQUIREMENTS.

ORDERING INFORMATION: Front Brake Kits for the 1974-1980 Ford Pinto / Mustang II

PART NUMBER	DESCRIPTION	CALIPER FINISH
140-14271	Dynalite-M Front Kit with 11.00" Diameter One-Piece HP Plain Face Rotors	Black Anodize
140-14271-R	Dynalite-M Front Kit with 11.00" Diameter One-Piece HP Plain Face Rotors	Red Powder Coat