

DISC BRAKES
wilwood

FORD F-250/F-350 4WD TRUCK

2013 - 2017

**TACTICAL XTREME TX6R
BIG BRAKE FRONT KITS**

TACTICAL XTREME TX6R

front brake kits for the Ford F-250 and F-350 single rear wheel, 4-wheel drive Super Duty trucks, provide unmatched capacity and durability for all types of high demand highway, towing, hauling, off-road and commercial heavy load braking applications.



KIT FEATURES

- Forged aluminum calipers with six stainless steel pistons and high-temp internal bore seals
- Available in hard anodized gray finish, black or red powder coat and 22 additional color options
- Big diameter 15.00" by 1.50" thick extreme duty **Spec37** alloy directional vane rotors
- High response, driver and rotor-friendly BP-20 metallic-composite **SmartPads**
- Based on systems originally developed for tactical and armored vehicle applications
- Fully compatible with factory master cylinder output and all ABS system controls



Note: Check www.wilwood.com for complete year/make/model application data and specific wheel clearance requirements.

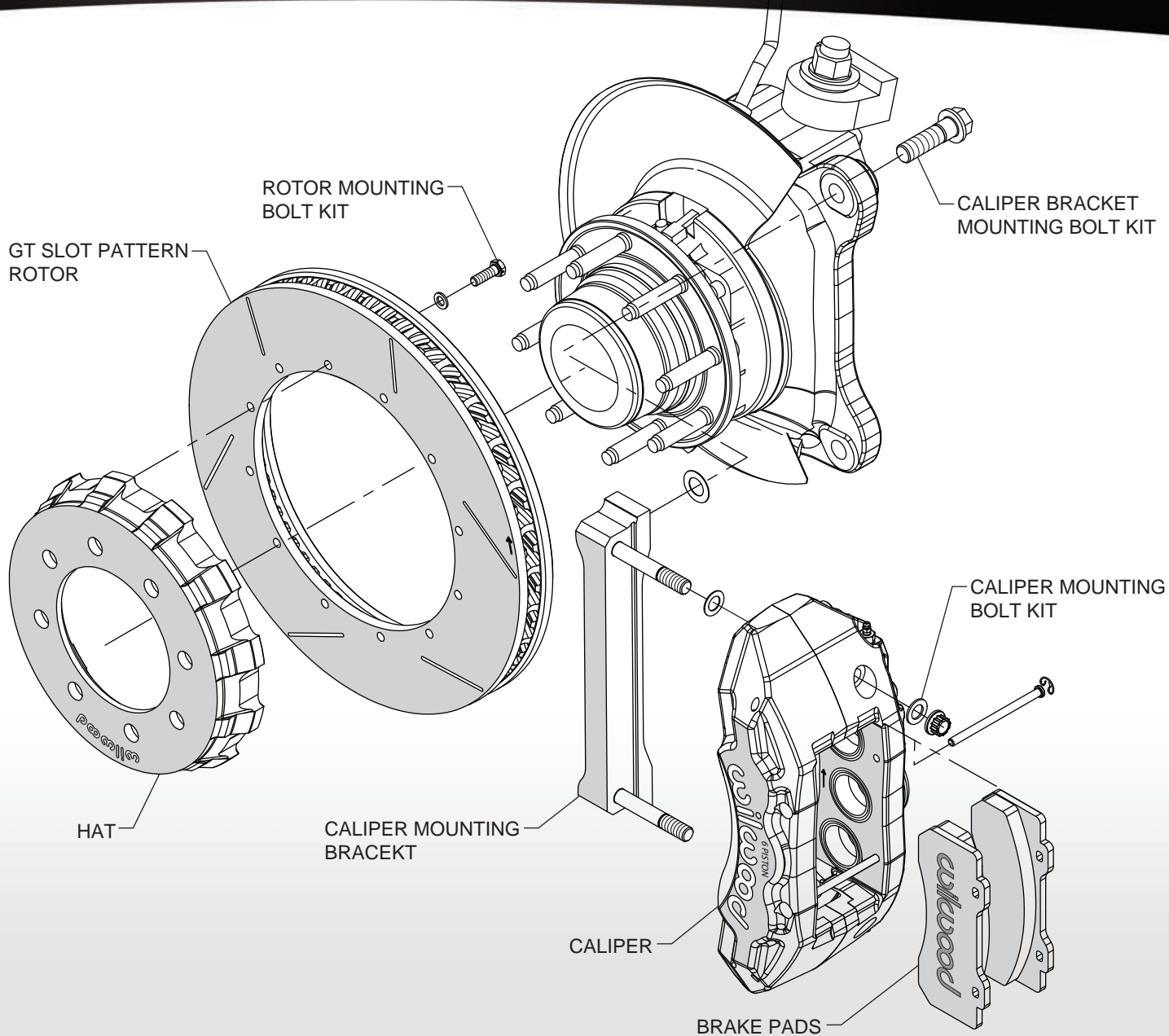


Figure 1. Typical Installation Diagram

PLEASE CHECK: WILWOOD ALWAYS RECOMMENDS CHECKING www.wilwood.com FOR COMPLETE YEAR/MAKE/MODEL APPLICATION DATA AND SPECIFIC WHEEL CLEARANCE REQUIREMENTS.

ORDERING INFORMATION: Complete Front Brake Kits for the 2013-2017 F-250/F-350 4WD Truck

PART NUMBER	DESCRIPTION	CALIPER FINISH
140-14558	Tactical Xtreme TX6R Caliper, 15.00" Spec37 GT Competition Series Rotor	Black Powder Coat
140-14558-R	Tactical Xtreme TX6R Caliper, 15.00" Spec37 GT Competition Series Rotor	Red Powder Coat
140-14558-C	Tactical Xtreme TX6R Caliper, 15.00" Spec37 GT Competition Series Rotor	Gray Hard Anodize