

wilwood DISC BRAKES

RAM 2500/3500

2014 - 2018

TACTICAL XTREME TX6R FRONT BIG BRAKE KIT

- TX6R forged aluminum calipers with six stainless steel pistons and internal bore seals
- 16.00" diameter **Spec37** alloy directional vane slotted face rotors with E-coat finish
- Two-piece rotor mounting with weight saving aluminum hats
- Engineered application-specific system is fully compatible with the OE master cylinder output, ABS, and all electronic controls
- Radial mount caliper brackets and rotor mounting hats attach directly to the factory-original spindles and hubs
- BP-20 performance compound *SmartPads* provide fast response, heavy load stopping power, long wear, and high fade resistance
- Calipers are available in black and red powder coat or 22 additional color options
- All-inclusive kits feature premium grade hardware, DOT approved stainless steel flexlines, and a detailed installation guide



Note: Check www.wilwood.com for complete year/make/model application data and specific wheel clearance requirements.

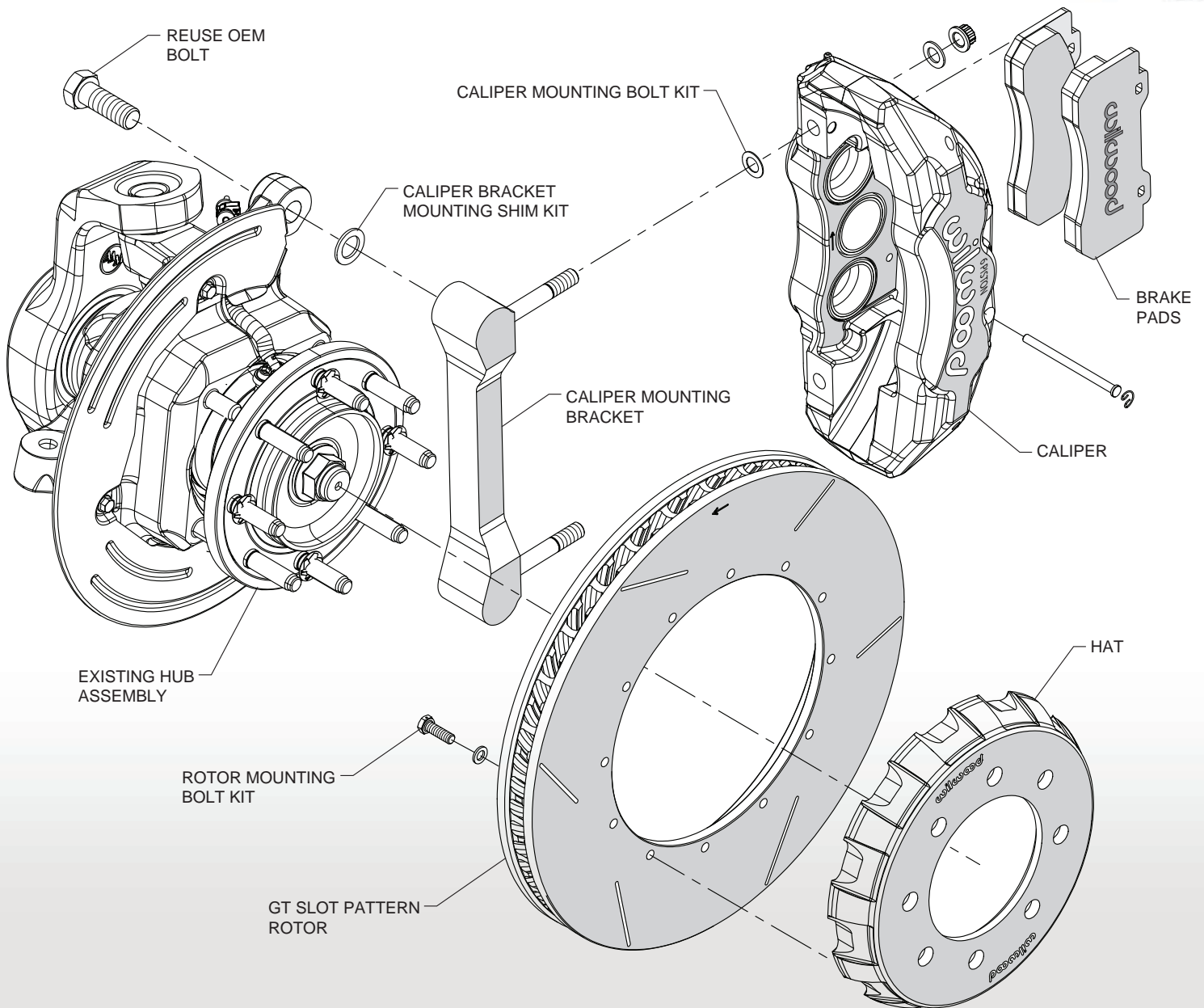


Figure 1. Typical Installation Diagram

PLEASE CHECK: WILWOOD ALWAYS RECOMMENDS CHECKING www.wilwood.com FOR COMPLETE YEAR/MAKE/MODEL APPLICATION DATA AND SPECIFIC WHEEL CLEARANCE REQUIREMENTS.

ORDERING INFORMATION: Front Brake Kits for the 2014-2018 RAM Truck

PART NUMBER	DESCRIPTION	CALIPER FINISH
140-15381	Tactical Xtreme TX6R Caliper, 16.00" Spec37 GT Competition Series Rotor	Black Powder Coat
140-15381-R	Tactical Xtreme TX6R Caliper, 16.00" Spec37 GT Competition Series Rotor	Red Powder Coat