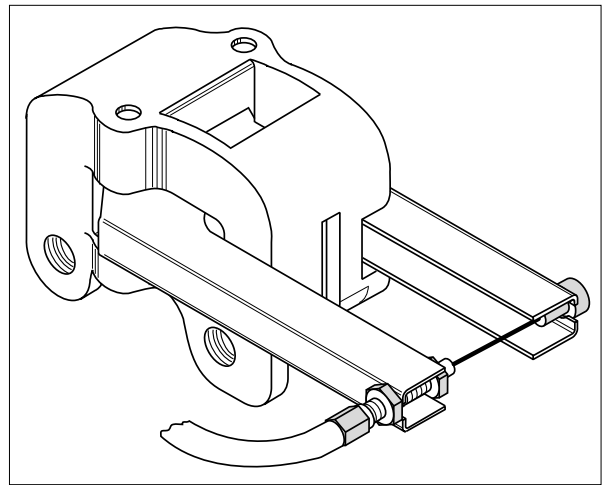




MC1A MECHANICAL CALIPER

Caliper Highlights:

Wilwood's innovative **MC1A Mechanical Caliper** is an efficient, multi-use cable operated brake caliper which combines high output performance with simplicity in design and construction. This lightweight, high strength die cast caliper operates in a fixed mount position and requires no additional external return springs. Perfect for Sprint and Yard Karts, Industrial and Commercial applications.



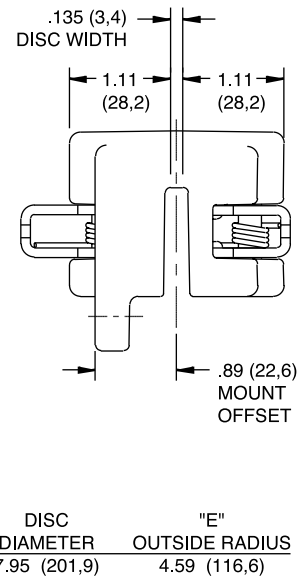
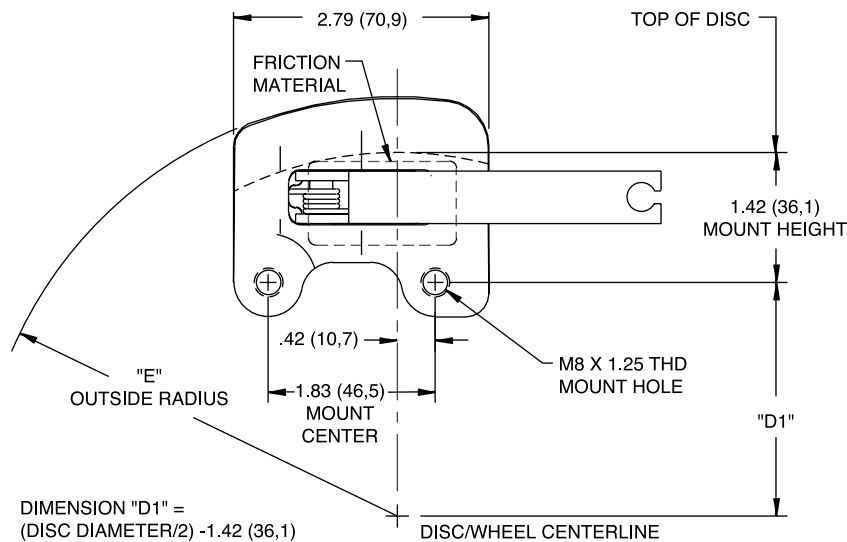
MC1A Mechanical Caliper (1)

ORDERING INFORMATION:

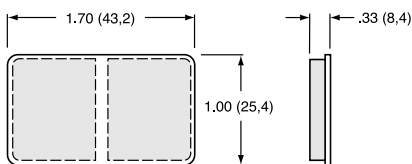
DISC WIDTH
.135 (3,4)

PART NUMBER
120-5210

MECHANICAL CALIPER, MOUNTING DIMENSIONS(2):



MECHANICAL CALIPER PAD, OVERALL DIMENSIONS, PART NUMBER AND DESCRIPTION:



PART NO.

150-4646

PAD DESCRIPTION

Multi-temperature

NOTES: (1) CABLE ILLUSTRATION FOR REFERENCE ONLY
(2) CALIPER AVAILABLE ONLY IN CONFIGURATION/ORIENTATION SHOWN