

DYNAPRO Rear Brake Kits for Classic 1969-89 Porsche 911 Using OE Hubs



Wilwood's motorsports-proven **Dynapro** four piston radial mount calipers, with a heritage of pure race technology, provide the foundation for a complete rear brake kit solution for classic 1969-89 Porsche 911s using OE hubs. Complete brake kits include brackets for bolt-on mounting to struts with 3.0" (76,2mm) mounting tabs, rotors, stainless steel Flexlines and brake pads.

Caliper-only kits include brackets for 3.0" (76,2mm) mounting tabs, Flexlines and brake pads.



ROTORS: PLAIN, GT or SRP DRILLED

- Vented rotors in plain face, GT slotted, or SRP drilled and slotted with black E-coat applied
- 11.42" x .80" (290 x 20mm), or 11.42" x .95" (290 x 24mm)

CALIPERS: DYNAPRO NDPR-P 4R

- Calipers provide more piston area, pad area, and pad volume than OE with less weight
- Rigid, forged aluminum radial mount four piston calipers
- Central stiffening bridge bolt is removable for easier top-load pad changes
- One-piece stainless steel pistons slow heat transfer and resist corrosion
- Calipers are finished in gloss Le Mans yellow, black or red powder coat over durable Type-III hard anodizing base

BRAKE PADS: BP-10

- BP-10 street performance pads (other compounds available)

INSTALLATION PARTS:

- Caliper brackets, stainless steel Flexlines and all premium-grade hardware for installation are included

KIT FEATURES:

- Calipers continuously refined through modern engineering and manufacturing methods, including FEA (Finite Element Analysis) increasing resistance against deflection
- Compatible with factory master cylinder

Dynapro Rear Complete Brake Kits

P/N: [140-17002](#) GT Slotted Rotor, 11.42" x .80" (290x20mm)

P/N: [140-17003](#) GT Slotted Rotor, 11.42" x .94" (290x24mm)

P/N: [140-16680](#) Plain or SRP Drilled Rotor, 11.42" x .80" (290x20mm)

P/N: [140-16682](#) Plain or SRP Drilled Rotor, 11.42" x .95" (290x24mm)

Caliper Kits For Use On Factory Rotors



Dynapro Rear Caliper Kits

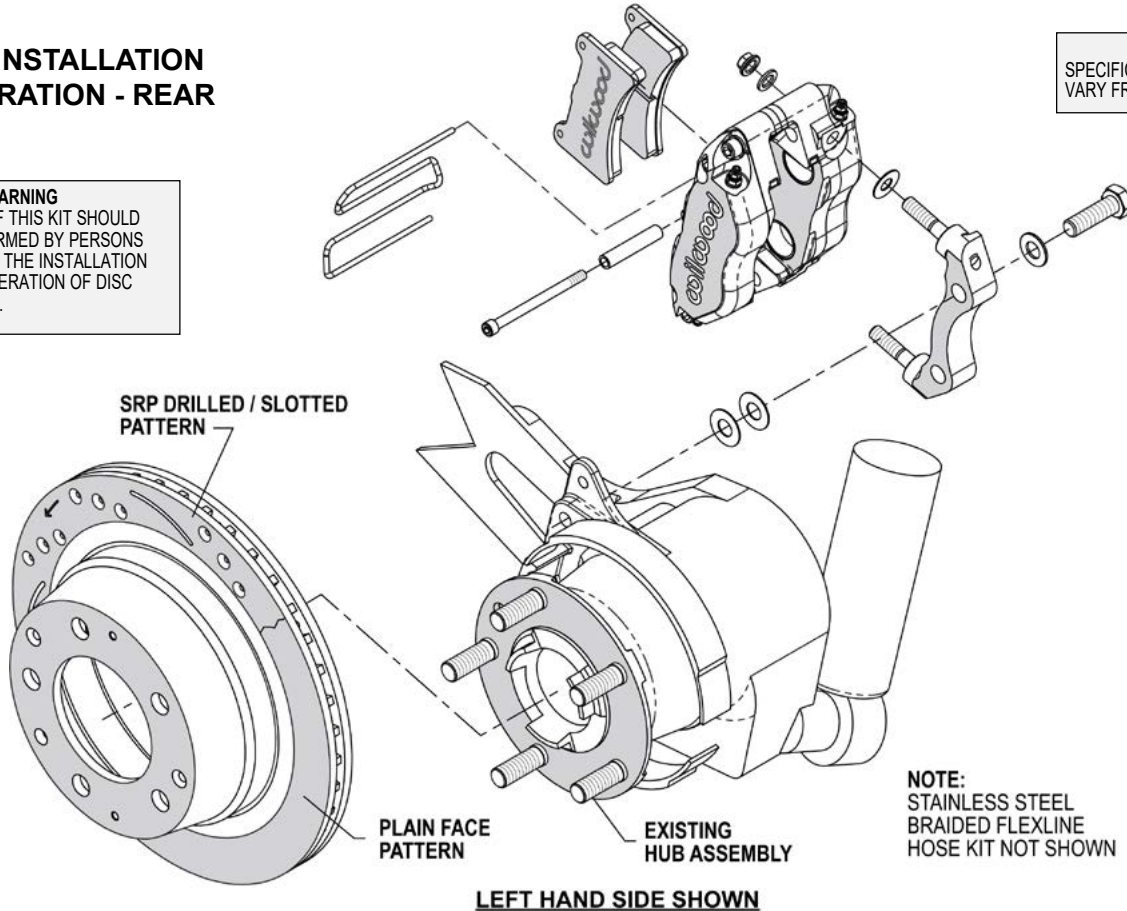
P/N: [140-16676](#) 11.42" x .80" OE Rotor (290x20mm)

P/N: [140-16678](#) 11.42" x .95" OE Rotor (290x24mm)

TYPICAL INSTALLATION CONFIGURATION - REAR

WARNING
INSTALLATION OF THIS KIT SHOULD ONLY BE PERFORMED BY PERSONS EXPERIENCED IN THE INSTALLATION AND PROPER OPERATION OF DISC BRAKE SYSTEMS.

NOTE
SPECIFIC PARTS MAY VARY FROM DIAGRAM



ORDERING INFO: PH: 805.388.1188 • FAX: 805.388.4938 • wilwood.com • info@wilwood.com

FULL BRAKE KITS

BLACK	RED	Le Mans YELLOW	DESCRIPTION / YEAR	TAB MOUNT	ROTOR SIZE	ROTOR TYPE
140-16680	140-16680-R	140-16680-Y	Dynapro Rear Kit, 1969-83	3.0" (76,2mm)	11.42" x .80" (290mm x 20mm)	Plain Face
140-16680-D	140-16680-DR	140-16680-DY	Dynapro Rear Kit, 1969-83	3.0" (76,2mm)	11.42" x .80" (290mm x 20mm)	SRP Drilled/Slotted
140-17002	140-17002-R	140-17002-Y	Dynapro Rear Kit, 1969-83	3.0" (76,2mm)	11.42" x .80" (290mm x 20mm)	GT Slotted
140-16682	140-16682-R	140-16682-Y	Dynapro Rear Kit, 1984-89 <i>(Coming Summer of 2023)</i>	3.0" (76,2mm)	11.42" x .95" (290mm x 24mm)	Plain Face
140-16682-D	140-16682-DR	140-16682-DY	Dynapro Rear Kit, 1984-89 <i>(Coming Summer of 2023)</i>	3.0" (76,2mm)	11.42" x .95" (290mm x 24mm)	SRP Drilled/Slotted
140-17003	140-17003-R	140-17003-Y	Dynapro Rear Kit, 1984-89 <i>(Coming Summer of 2023)</i>	3.0" (76,2mm)	11.42" x .95" (290mm x 24mm)	GT Slotted

CALIPER KITS for OE ROTORS

140-16676	140-16676-R	140-16676-Y	Dynapro Rear Kit, 1969-83	3.0" (76,2mm)	11.42" x .80" (290mm x 20mm)	N/A
140-16678	140-16678-R	140-16678-Y	Dynapro Rear Kit, 1984-89	3.0" (76,2mm)	11.42" x .95" (290mm x 24mm)	N/A